



Weight: 1.0 lbs

Project:	Type:
Prepared By:	Date:

## Technical Specifications

### Performance

**Product Type:**

Emergency Unit, Remote Head

**Description:**

Outdoor Thermoplastic Remote Single Head

**Lumens:**

65lm

### Electrical

**Input Voltage:**

Multi-Volt (3.6V,9.6V,6V,12V)

**Dual Voltage Circuit Operation:**

No

**Operating Temperature:**

-22°F to 122°F (30°C to 50°C)

**Self Diagnostics:**

No, manual test only

**Remote Test Switch:**

No

### Installation

**Mounting Method:**

Back

**Mounting Type:**

Wall Mount

**Maximum Mounting Height (ft.):**

15 ft

**Emergency Egress Coverage(ft) Mounting at height of 7.5ft:**

14 ft x 3 ft mounted @ 7.5 ft

**Cold Weather Rated:**

No

**Application:**

For Standard Non Self-Diagnostic Fixtures

### Construction

**Shape:**

Rectangle

**Housing Material:**

Die Cast Aluminum

**Housing Color:**

Black

**No. of Heads:**

1-Lamp Head

**Head Shape:**

Square

**Remote Head Power (W):**

1.5W

### Compliance

**Listings:**

UL924 Listed

**Environment:**

Suitable for indoor or outdoor use in dry, damp, and wet environments

**IP Rating:**

Indoor/Outdoor

**Certification Model Number:**

RHLED1-WP-MVB-HL

**T20 Compliant:**

Not applicable

**California Title 24 JA8 Compliant:**

Not applicable

**California Energy Commission (CEC) Status:**

Lawful for Sales in California

**FCC:**

Complies with Part 15 of the FCC Rules

## Technical Specifications (continued)

### Other

#### Compatible Products:

See Remote Head Compatibility List

#### Warranty:

RAB warrants that our LED products will be free from defects in materials and workmanship for a period of five (5) years from the date of delivery to the end user, including coverage of light output, color stability, driver performance and fixture finish. RAB's warranty is subject to all terms and conditions found at [rablighting.com/warranty](http://rablighting.com/warranty).

#### Note:

All values are typical (tolerance +/- 10%)

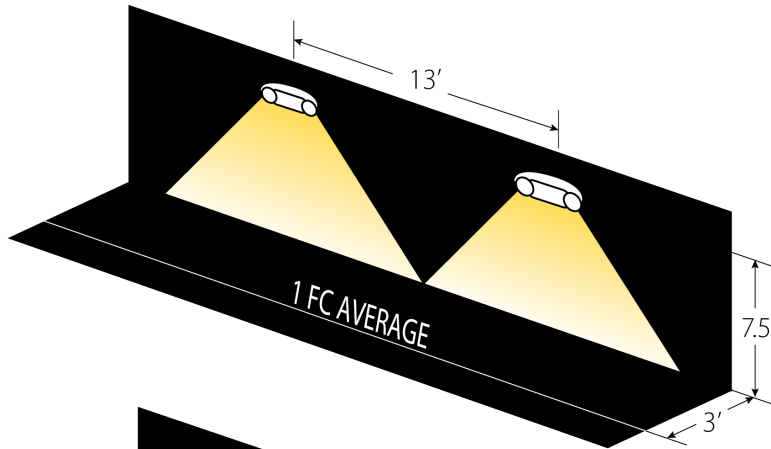
#### Buy American Act Compliance:

RAB values USA manufacturing! Upon request, RAB may be able to manufacture this product to be compliant with the Buy American Act (BAA). Please contact customer service to request a quote for the product to be made BAA compliant.

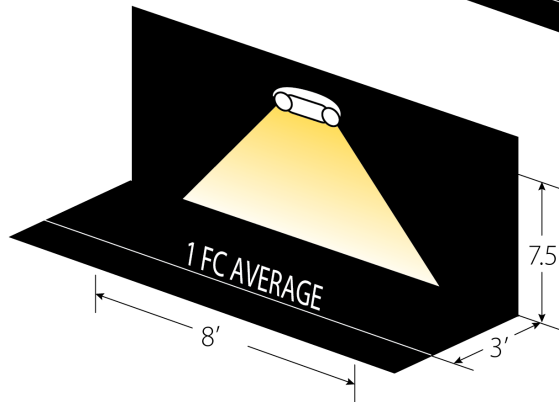
## Maximum Spacing Guidelines

Mounting Height	Path of Egress, 3' Out		Path of Egress, 6' Out		Application Notes
	Single Luminaire	Multiple Luminaires	Single Luminaire	Multiple Luminaires	
7.5'	8'	13'	N/A	10'	Room Size: 50' L x 8' W x 9' H Direct calculation method used. Reflectances excluded.
	Tilt: 18°	Tilt: 20°	Tilt: N/A	Tilt: 40°	
	Orient: 30°	Orient: 40°	Orient: N/A	Orient: 30°	

Note: Meets NFPA 101 illumination requirements of 1 FC average, 0.1 FC minimum, and 40:1 max:min.

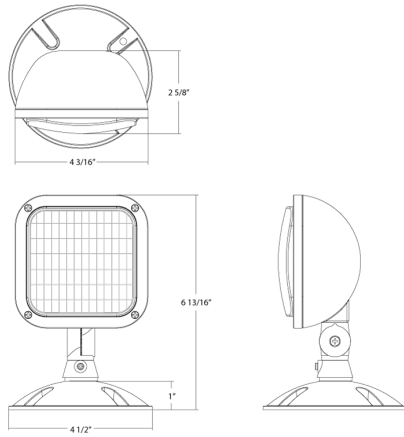


Example of multiple luminaires lighting a 3' path of egress.



Example of a single luminaire lighting a 3' path of egress.

## Dimensions



## Features

- Durable thermoplastic design
- Remote head capable, see Remote Head Compatibility List

## Ordering Matrix

Family	Environment	Heads	Voltage	High Lumen	Self Testing	Housing Color
EREMOTE	OUT	1		H		B
	Blank = Indoor OUT = Outdoor	Blank = 2 Heads 1 = 1 Head	Blank = Multi Volts	Blank = No High Lumen H = High Lumen	Blank = No Self Testing S = Self Testing	Blank = White B = Black