



Color: White

Weight: 0.6 lbs

|                     |              |
|---------------------|--------------|
| <b>Project:</b>     | <b>Type:</b> |
| <b>Prepared By:</b> | <b>Date:</b> |

## Technical Specifications

### Performance

**Product Type:**

Emergency Unit

**Description:**

Indoor Thermoplastic Remote Double Head

### Sensor Specifications

**Ambient Light Sensing:**

n/a

### Electrical

**Input Voltage:**

Multi-Volt (3.6V,9.6V,6V,12V)

**Operating Temperature:**

32°F to 122°F (0°C to 50°C)

**Self Diagnostics:**

Manual Test

### Installation

**Mounting Method:**

Back

**Mounting Type:**

Wall Mount

**Maximum Mounting Height (ft.):**

15 ft

**Cold Weather Rated:**

No

**Emergency Egress Coverage(ft) Mounting at height of 7.5ft:**

8 ft x 3 ft mounted @ 7.5 ft

**Application:**

For Standard Non Self-Diagnostic Fixtures

### Construction

**Shape:**

Rectangle

**Housing Material:**

Thermoplastic

**Housing Finish:**

White

**No. of Heads:**

2-Lamp Heads

**Head Shape:**

Square

**Remote Head Power (W):**

3W

**Remote Head Lumens (Lm):**

65lm

### Compliance

**Environment:**

Suitable for indoor use in dry and damp environments

**Model Number for Certification:**

RHLED2-MV-HL

**T20 Compliant:**

Not applicable

**California Title 24 JA8 Compliant:**

Not applicable

**California Energy Commission (CEC) Status:**

Lawful for Sales in California

**FCC:**

Complies with Part 15B of the FCC Rules

### Other

**Warranty:**

RAB warrants that our LED products will be free from defects in materials and workmanship for a period of five (5) years from the date of delivery to the end user, including coverage of light output, color stability, driver performance and fixture finish. RAB's warranty is subject to all terms and conditions found at [rablighting.com/warranty](http://rablighting.com/warranty).

## Technical Specifications (continued)

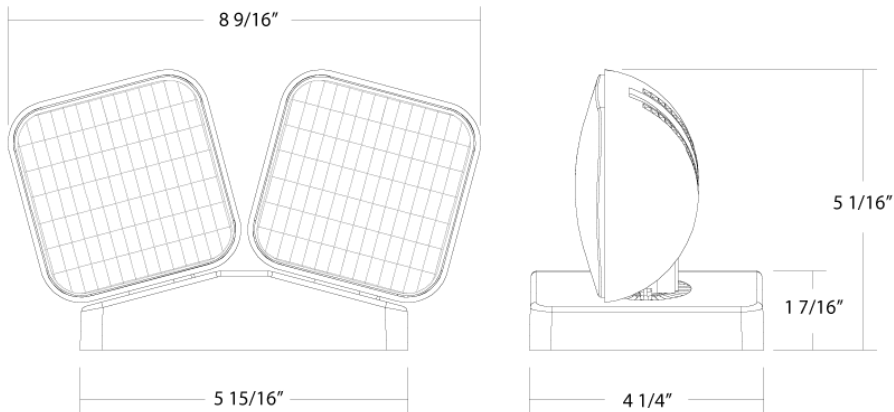
**Note:**

All values are typical (tolerance +/- 10%)

**Buy American Act Compliance:**

RAB values USA manufacturing! Upon request, RAB may be able to manufacture this product to be compliant with the Buy American Act (BAA). Please contact customer service to request a quote for the product to be made BAA compliant.

## Dimensions



## Ordering Matrix

| Family  | Heads | Voltage | High Lumen | Self Testing |
|---------|-------|---------|------------|--------------|
| EREMOTE |       |         | H          |              |

**Blank** = 2 Heads  
1 = 1 Head

**Blank** = Multi Volts

**Blank** = No High Lumen  
**H** = High Lumen

**Blank** = No Self Testing  
**S** = Self Testing