



Color: White

Weight: 0.6 lbs

Project:	Type:
Prepared By:	Date:

Technical Specifications

Performance

Product Type:

Emergency Unit

Description:

Indoor Thermoplastic Remote Double Head

Sensor Specifications

Ambient Light Sensing:

n/a

Electrical

Input Voltage:

Multi-Volt (3.6V,9.6V,6V,12V)

Operating Temperature:

32°F to 122°F (0°C to 50°C)

Self Diagnostics:

Manual Test

Installation

Mounting Method:

Back

Mounting Type:

Wall Mount

Maximum Mounting Height (ft.):

11 ft

Cold Weather Rated:

No

Emergency Egress Coverage(ft) Mounting at height of 7.5ft:

6 ft x 3 ft mounted @ 7.5 ft

Application:

For Standard Non Self-Diagnostic Fixtures

Construction

Shape:

Rectangle

Housing Material:

Thermoplastic

Housing Finish:

White

No. of Heads:

2-Lamp Heads

Head Shape:

Square

Remote Head Power (W):

2W

Remote Head Lumens (Lm):

45lm

Compliance

Environment:

Suitable for indoor use in dry and damp environments

Model Number for Certification:

RHLED2-MV

T20 Compliant:

Not applicable

California Title 24 JA8 Compliant:

Not applicable

California Energy Commission (CEC) Status:

Lawful for Sales in California

FCC:

Complies with Part 15B of the FCC Rules

Other

Warranty:

RAB warrants that our LED products will be free from defects in materials and workmanship for a period of five (5) years from the date of delivery to the end user, including coverage of light output, color stability, driver performance and fixture finish. RAB's warranty is subject to all terms and conditions found at rablighting.com/warranty.

Technical Specifications (continued)

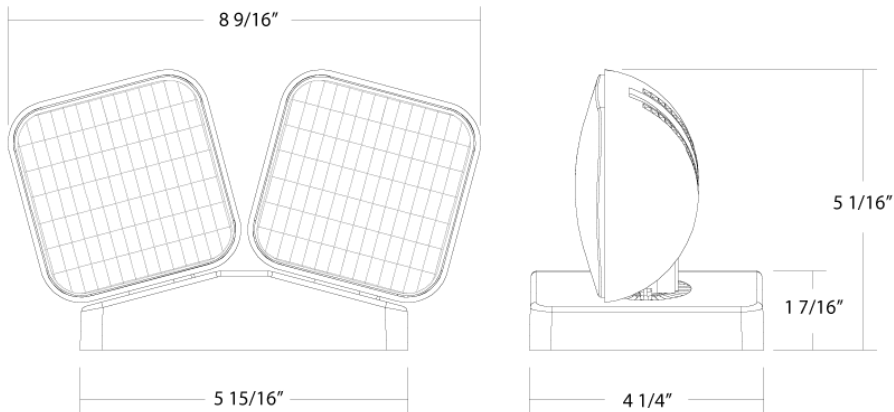
Note:

All values are typical (tolerance +/- 10%)

Buy American Act Compliance:

RAB values USA manufacturing! Upon request, RAB may be able to manufacture this product to be compliant with the Buy American Act (BAA). Please contact customer service to request a quote for the product to be made BAA compliant.

Dimensions



Ordering Matrix

Family	Heads	Voltage	High Lumen	Self Testing
EREMOTE				

Blank = 2 Heads
1 = 1 Head

Blank = Multi Volts

Blank = No High Lumen
H = High Lumen

Blank = No Self Testing
S = Self Testing