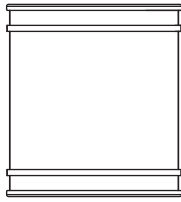


INSTRUCTIONS

ENCHANT VANITY & WALL SCONCE INSTALLATION



RAB Lighting is committed to creating high-quality, affordable, well-designed and energy-efficient LED lighting and controls that make it easy for electricians to install and end users to save energy. We'd love to hear your comments. Please call the Marketing Department at 888-RAB-1000 or email: marketing@rablighting.com



ENCT-BN
ENCT-B
ENCT-BR



ENCT-24BN ENCT-36BN ENCT-48BN
ENCT-24B ENCT-36B ENCT-48B
ENCT-24BR ENCT-36BR ENCT-48BR

IMPORTANT

READ CAREFULLY BEFORE INSTALLING FIXTURE. RETAIN THESE INSTRUCTIONS FOR FUTURE REFERENCE.

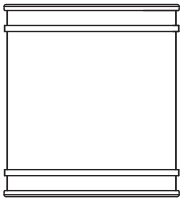
RAB fixtures must be wired in accordance with the National Electrical Code and all applicable local codes. Proper grounding is required for safety. THIS PRODUCT MUST BE INSTALLED IN ACCORDANCE WITH THE APPLICABLE INSTALLATION CODE BY A PERSON FAMILIAR WITH THE CONSTRUCTION AND OPERATION OF THE PRODUCT AND THE HAZARDS INVOLVED.

WARNING:

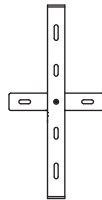
- Make certain power is OFF before installing or maintaining fixture. No user serviceable parts inside.
- Suitable for damp location.
- Suitable for operation in ambient not exceeding 40°C.

WHAT'S IN THE BOX

ENCT-BN
ENCT-B
ENCT-BR

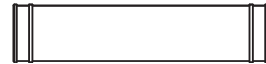


Fixture



Mounting plate

ENCT-24BN
ENCT-24B
ENCT-24BR
ENCT-36BN
ENCT-36B
ENCT-36BR
ENCT-48BN
ENCT-48B
ENCT-48BR



Fixture



Mounting plate



(4) M4 x 10 mm
Screws



(2) M4 x 10 mm Screws



(3) P3 Wire Nuts



(2) 8#-32x1 Screws



(3) P3 Wire Nuts



(2) 8#-32x1 Screws



(2) M4 x 20mm
Self-tapping screws



Wall Anchors

INSTRUCTIONS

ENCHANT VANITY & WALL SCONCE INSTALLATION

RAB®

RAB Lighting is committed to creating high-quality, affordable, well-designed and energy-efficient LED lighting and controls that make it easy for electricians to install and end users to save energy. We'd love to hear your comments. Please call the Marketing Department at 888-RAB-1000 or email: marketing@rablighting.com

INSTALLATION

SURFACE MOUNT FOR VANITY WALL SCONCE VERTICAL

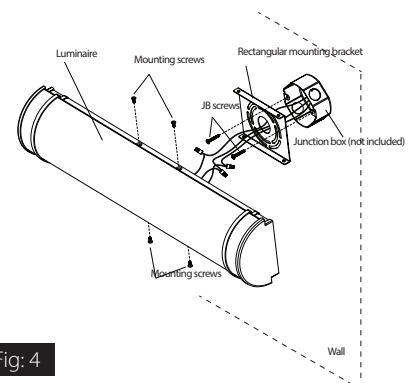
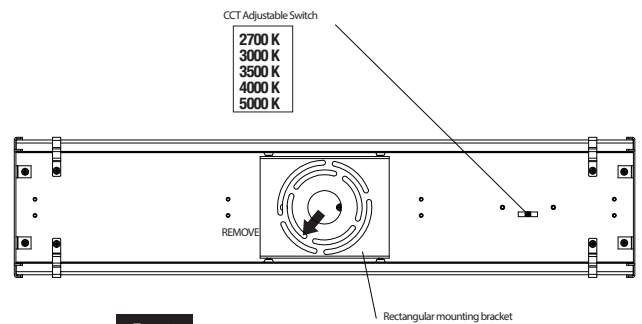
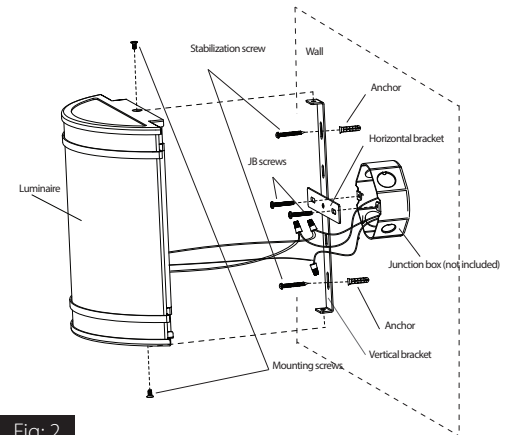
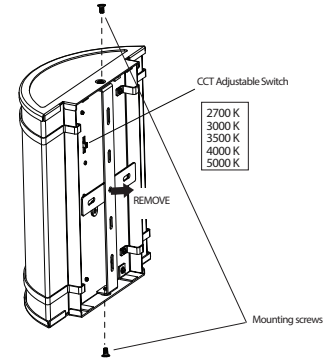
1. An octogonale junction box must be installed at each desired location, before installing the luminaire.
2. Select the desired LED color temperature by using the switch situated on the back of the luminaire (Fig. 1).
3. Remove the mounting brackets assembly from the luminaire by unscrewing the two screws (Fig. 1).
4. Orient the **vertical mounting bracket** so that the arms are facing away from the junction box. Pull the power supply wires out of the junction box (Fig. 2).
5. Use the two screws to attach the **horizontal mounting bracket** flush to the junction box (Fig. 2).
6. Make the electrical wiring connections between the luminaire and power supply (see *ELECTRICAL WIRING below*).
7. Position the luminaire over the junction box and fix it with the vertical bracket (Fig. 4). Adjust the luminaire by rotating it until it is straight. Remove the luminaire and fix the vertical bracket on the wall by using the stabilization screws and anchors.
8. Secure the luminaire on the **vertical bracket** by using the two screws (Fig. 2). NOTE: Do not screw too tight the extremities of luminaire.
9. Apply power.

SURFACE MOUNT FOR VANITY WALL SCONCE

1. An octogonale junction box must be installed at each desired location, before installing the luminaire.
2. Select the desired LED color temperature by using the switch situated on the back of the luminaire (Fig. 3).
3. Remove the rectangular mounting bracket from the luminaire by unscrewing the four screws. (Fig. 3 and Fig. 4).
4. Orient the vertical mounting bracket so that the arms are facing away from the junction box. Pull the power supply wires out of the junction box through the central hole of the **rectangular bracket** (Fig. 2).
5. Use the two screws to attach the **rectangular mounting bracket** flush to the junction box (Fig. 4).
6. Make the electrical wiring connections between the luminaire and power supply (see *ELECTRICAL WIRING below*).
7. Position the luminaire over the **rectangular mounting bracket**. Install the luminaire on the **rectangular mounting bracket** by using the four screws (Fig. 4).
8. Apply power.

ELECTRICAL WIRING (Fig. 2 and Fig. 4)

1. Strip 3/8" of bare power supply wires from the junction box.
2. Connect the wires from the luminaire to the power supply wires from the junction box, using the wire nuts:
3. Connect the neutral wire (white) from the junction box to the neutral wire (white) from the luminaire.
4. Connect the line wire (black) from the junction box to the line wire (black) from the luminaire.
5. Connect the green ground wire from the luminaire to the bare copper ground wire from the junction box, using a wire nut.
6. Once the connections are done, push the wires back inside the junction box.



Note: These instructions do not cover all details or variations in equipment nor do they provide for every possible situation during installation, operation or maintenance

INSTRUCTIONS

ENCHANT VANITY & WALL SCONCE INSTALLATION



RAB Lighting is committed to creating high-quality, affordable, well-designed and energy-efficient LED lighting and controls that make it easy for electricians to install and end users to save energy. We'd love to hear your comments. Please call the Marketing Department at 888-RAB-1000 or email: marketing@rablighting.com

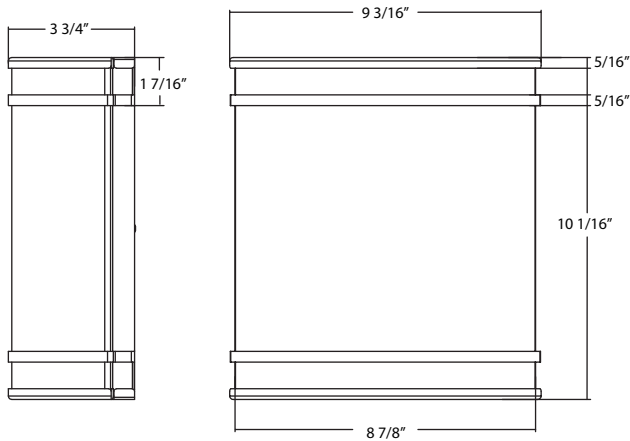
CLEANING & MAINTENANCE

- CAUTION:** Be sure fixture temperature is cool enough to touch.
Do not clean or maintain while fixture is energized.
1. Do not open fixture to clean the LED. Do not touch the LED.
 2. Do not touch reflector.
 3. Do not clean any fixture surface with wood-base cleaning material such as paper towels or tissues.

TROUBLESHOOTING

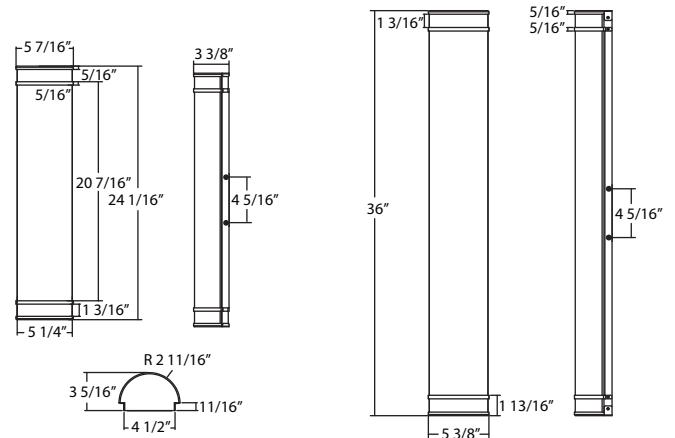
1. Check that the line voltage at the fixture is correct. Refer to wiring directions.
2. Is the fixture grounded properly?

DIMMENSION



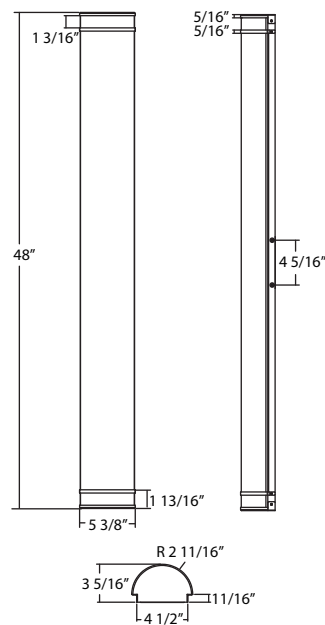
ENCT-BN
 ENCT-B
 ENCT-BR

DIMMENSION (cont'd)



ENCT-24BN
 ENCT-24B
 ENCT-24BR

ENCT-36BN
 ENCT-36B
 ENCT-36BR



ENCT-48BN
 ENCT-48B
 ENCT-48BR

Easy Answers

rablighting.com
 Visit our website for product info

Tech Help Line
 Call our experts: 888 722-1000

e-mail
 Answered promptly - sales@rablighting.com

Free Lighting Layouts
 Answered online or by request