



Color: Black

Weight: 3.2 lbs

Project:	Type:
Prepared By:	Date:

Technical Specifications

Performance

Product Type:

Thermoplastic Emergency Unit

Product Series:

EM
Emergency Light
Square & Round

Description:

Ultra-economy emergency unit low profile, thermoplastic dual lamp head emergency unit. Available in white or black finishes with round lamp heads.

Input Power (W):

2W

Lumens (lm):

200lm

Maximum Output Wattage (W):

2W

Construction

Housing Material:

Injection-molded thermoplastic ABS housing, UL 94V-0 flame rating

Housing Finish:

Black Finish

Illumination Source:

2 Lamp Heads

Optical System:

Precision engineered Prismatic Lens

Head Orientation:

Adjustable heads for aiming light where required
330° Rotation, 40° Tilt

Remote Capable:

No

LED Characteristics

Color Temperature:

6500K

Electrical

Power Factor:

0.4

Input Voltage (V):

Universal 120-277 Voltage

Operating Frequency:

50/60Hz

Input Current @ 120V (A):

0.02A

Input Current @ 277V (A):

0.01A

Operating Temperature:

32°F to 104°F (0°C to 40°C)

Emergency Characteristics

Battery Backup:

Yes

Emergency Illumination:

90 minutes

Battery:

Built-in 3.6V 1000mAh Nickel cadmium battery

Battery Voltage:

Battery Voltage

Recharge Time:

Maximum 24 hours for full recharge time

Battery Operating Temperature:

32°F to 122°F (0°C to 50°C)

Testing Method:

Integrated Test Switch & Charge Indicator

Installation

Mounting:

Universal J-Box Mounting Pattern

Technical Specifications (continued)

Application:

Wall Mount

Mounting Height:

8 ft

Emergency Egress Coverage (ft) Mounting at height of 7.5 ft:

14'X3'

Compliance

Listings:

UL924 Listed, NFPA 101 (current Life Safety Code), NEC and OSHA illumination standards

Environment:

Suitable for use in dry and damp environments. Not suitable for applications with direct sunlight.

IP Rating:

IP20

T20 Compliant:

Can be used to conform with the requirements of California Title 20

California Title 24 JA8 Compliant:

No

California Energy Commission (CEC) Status:

Lawful for Sales in California

FCC:

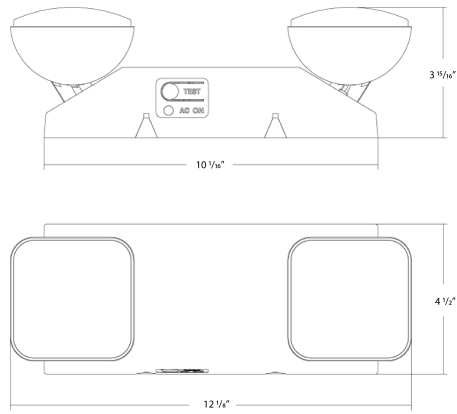
Complies with Part 15 of the FCC Rules

Other

3-Year, No-Compromise Warranty:

RAB warrants that our LED products will be free from defects in materials and workmanship for a period of three (3) years from the date of delivery to the end user, including coverage of light output, color stability, driver performance and fixture finish. RAB's warranty is subject to all terms and conditions found at rablighting.com/warranty.

Dimensions



Features

- Durable thermoplastic design
- Emergency light with 90-minute battery backup

Ordering Matrix

Family	Remote Capacity	Housing Color	Driver
EM		B	

Blank = No Remote Capable **Blank = White** **Blank = 120-277V**
R = Remote Capable **B = Black**