



Project:	Type:
Prepared By:	Date:

Technical Specifications

Performance

Product Type:

Emergency Unit

Description:

Ultra-economy Low Profile Thermoplastic Emergency Light

Input Wattage:

0.52W @120V; 0.60W @277V

Electrical

Power Factor:

0.06@120V; 0.03@277V

Input Voltage:

Dual 120/277Vage

Operating Frequency:

60 Hz

Input Current @ 120V (mA):

68mA

Input Current @ 277V (mA):

70mA

Maximum Output Current (Amps):

0.14A

Maximum Output Wattage:

0.5W

Operating Temperature:

32°F to 104°F (0°C to 40°C)

Emergency Illumination:

90 minutes

Battery Type:

Nickel Cadmium

Battery Voltage:

3.6V

Recharge Time Required:

24-hours

Storage Temperature:

68°F to 86°F (20°C to 30°C)

Storage Shelf Life:

3 years before the initial charge. 5 years after initial charge.

Self Diagnostics:

Manual Test

Installation

Mounting Method:

Back/Conduit

Mounting Type:

Wall Mount

Maximum Mounting Height (ft.):

13 ft

Cold Weather Rated:

No

Emergency Egress Coverage(ft) Mounting at height of 7.5ft:

38 ft x 3 ft mounted @ 7.5 ft

Construction

Shape:

Rectangle

Housing Material:

Thermoplastic

Housing Finish:

White

Remote Capacity:

Yes

No. of Heads:

2-Lamp Heads

Head Shape:

Round

Technical Specifications (continued)

Remote Head Lumens (Lm):

110lm

Compliance

Environment:

Suitable for indoor use in dry and damp environments

Model Number for Certification:

E-1-HL

T20 Compliant:

Not Compliant

California Title 24 JA8 Compliant:

Not applicable

California Energy Commission (CEC) Status:

Lawful for Sales in California

FCC:

Complies with Part 15B of the FCC Rules

Other

5 Yr Limited Warranty:

The RAB 5-year, limited warranty covers light output, driver performance and paint finish. RAB's warranty is subject to all terms and conditions found at rablighting.com/warranty. Battery is prorated.

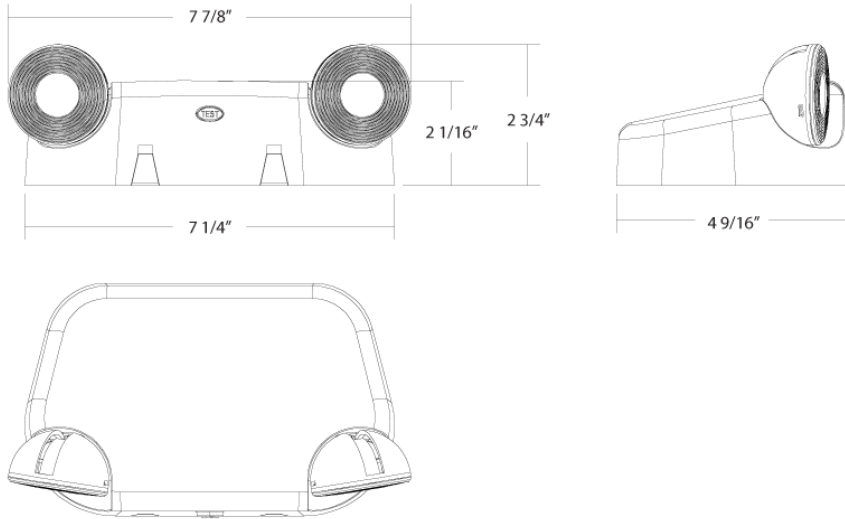
Note:

All values are typical (tolerance +/- 10%)

Buy American Act Compliance:

RAB values USA manufacturing! Upon request, RAB may be able to manufacture this product to be compliant with the Buy American Act (BAA). Please contact customer service to request a quote for the product to be made BAA compliant.

Dimensions



Ordering Matrix

Family	Heads	High Lumen	Remote Capacity	Housing
EM34		H	R	
	Blank = 2 Heads	Blank = No High Lumen H = High Lumen	Blank = No Remote Capable R = Remote Capable	Blank = White Housing