



<b>Project:</b>	<b>Type:</b>
<b>Prepared By:</b>	<b>Date:</b>

**Technical Specifications**

**Performance**

**Product Type:**

Exit Combo, Wet Location Rated

**Product Series:**

ECOMBOOUT Outdoor Exit Sign Combo

**Description:**

Outdoor rated Exit Sign Comobo available with red letters and battery backup.

**Input Power (W):**

2.9-3.79W

**Lumens (lm):**

200lm

**Maximum Output Wattage (W):**

2.8W

**Construction**

**Housing Material:**

Thermoplastic Housing 5VA Flame Rating

**Housing Finish:**

White Housing

**Lettering:**

Red

**Face Configuration:**

Supplied with two faces for single or double face installation

**Arrow Configuration:**

Field-installable, removable chevron directional indicators for all configurations

**Illumination Source:**

2 Lamp Heads

**Remote Capable:**

No

**LED Characteristics**

**Color Temperature:**

6500K

**Electrical**

**Power Factor:**

0.8

**Input Voltage (V):**

120/277 Dual Voltage

**Operating Frequency:**

60 Hz

**Input Current @ 120V (A):**

0.025A

**Input Current @ 277V (A):**

0.016A

**Operating Temperature:**

32°F to 104°F (0°C to 40°C)

**Emergency Characteristics**

**Battery Backup:**

Yes

**Emergency Illumination:**

90 minutes

**Battery:**

Nickel-Metal Hydride

**Battery Voltage:**

Battery Voltage

**Recharge Time:**

Maximum 24 hours for full recharge time

**Battery Operating Temperature:**

32°F to 122°F (0°C to 50°C)

**Testing Method:**

Integrated Test Switch & Charge Indicator

**Installation**

**Mounting:**

Universal J-Box Mounting Pattern

**Technical Specifications (continued)**

**Application:**

Can be mounted using Back or Side

**Compliance**

---

**Listings:**

UL924 Listed, NFPA 101 (current Life Safety Code),  
NEC and OSHA illumination standards

**Environment:**

Suitable for use in wet location

**IP Rating:**

IP65

**T20 Compliant:**

Can be used to conform with the requirements of  
California Title 20

**California Title 24 JA8 Compliant:**

No

**California Energy Commission (CEC) Status:**

Lawful for Sales in California

**FCC:**

Complies with Part 15 of the FCC Rules

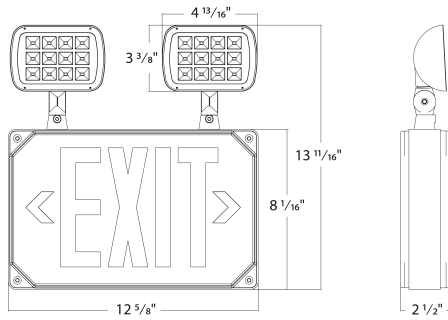
**Other**

---

**3-Year, No-Compromise Warranty:**

RAB warrants that our LED products will be free from defects in materials and workmanship for a period of three (3) years from the date of delivery to the end user, including coverage of light output, color stability, driver performance and fixture finish. RAB's warranty is subject to all terms and conditions found at [rablighting.com/warranty](http://rablighting.com/warranty).

## Dimensions



## Features

- Waterproof LED exit combo light is designed for outdoor and wet environments
- Injection-molded thermoplastic ABS housing, UL 94V-0 flame rating
- Letters 6" height with 3/4" stroke, RED Letters
- Universal J-box mounting pattern suitable for wall mount applications
- Meets UL924, NFPA 101 Life Safety Code, NEC, OSHA, Local and State Codes. Compliant with California Title 20

## Ordering Matrix

Family	Remote Capacity	Housing Color	Battery Backup	No of Sides	Driver
ECOMBOOUT					
	<b>Blank = Not Remote Capable</b>	<b>Blank = White</b>	<b>Blank = Battery Back Up</b>	<b>Blank = Universal one side or doubled sided faces with removable left/right arrows</b>	<b>Blank = 120-277V</b>