

<b>Project:</b>	<b>Type:</b>
<b>Prepared By:</b>	<b>Date:</b>

**Technical Specifications**

**Performance**

**Product Type:**

Color Switching, Thermoplastic Exit Combo

**Product Series:**

ECOMBO34 Exit Sign Combo

**Description:**

Ultra economy thermoplastic exit combo that provides red/green switching capability in the field. Available in a white finish with round lamp heads.

**Input Power (W):**

1.8W

**Lumens (lm):**

160lm

**Maximum Output Wattage (W):**

4.2W

**Construction**

**Housing Material:**

Injection-molded thermoplastic ABS housing, UL 94V-0 flame rating

**Housing Finish:**

Black Finish

**Lettering:**

Features 6" height letters with 3/4" stroke in both red and green colors.

**Face Configuration:**

Supplied with two faces for single or double face installation

**Arrow Configuration:**

Field-installable, removable chevron directional indicators for all configurations

**Illumination Source:**

2 Lamp Heads

**Optical System:**

SMT LED lamp heads for emergency mode

**Head Orientation:**

Adjustable heads for aiming light where required 330° Rotation, 40° Tilt

**Remote Capable:**

Yes - Remote version supports up to two (2) 3.6VDC Remote Heads

**LED Characteristics**

**Color Temperature:**

6500K

**Electrical**

**Power Factor:**

0.4

**Input Voltage (V):**

Universal 120-277 Voltage

**Operating Frequency:**

50/60Hz

**Input Current @ 120V (A):**

0.045A

**Input Current @ 277V (A):**

0.020A

**Operating Temperature:**

32°F to 104°F (0°C to 40°C)

**Emergency Characteristics**

**Battery Backup:**

Yes

**Emergency Illumination:**

90 minutes

**Battery:**

Built-in 3.6V 2000mAh NI-MH battery

**Battery Voltage:**

Battery Voltage

## Technical Specifications (continued)

**Recharge Time:**

Maximum 24 hours for full recharge time

**Battery Operating Temperature:**

32°F to 122°F (0°C to 50°C)

**Testing Method:**

Integrated Test Switch & Charge Indicator

**Installation****Mounting:**

Universal J-Box Mounting Pattern

**Application:**

Wall Mount

**Emergency Egress Coverage (ft) Mounting at height of 7.5 ft:**

14'X3'

**Compliance****Listings:**

UL924 Listed, NFPA 101 (current Life Safety Code), NEC and OSHA illumination standards

**Environment:**

Suitable for use in dry and damp environments. Not suitable for applications with direct sunlight.

**IP Rating:**

IP20

**T20 Compliant:**

Can be used to conform with the requirements of California Title 20

**California Title 24 JA8 Compliant:**

No

**California Energy Commission (CEC) Status:**

Lawful for Sales in California

**FCC:**

Complies with Part 15 of the FCC Rules

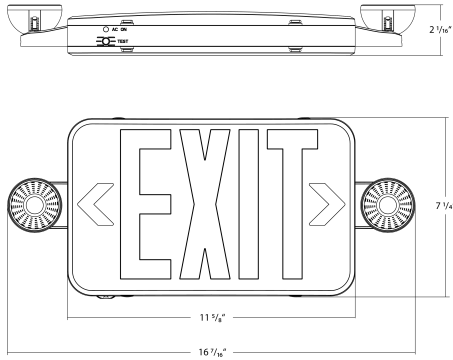
**Other****Compatible Products:**

Standard Remote Heads  
EREMOTE-1  
EREMOTE  
EREMOTE-1B  
EREMOTE-B  
Water Proof Remote Heads  
EREMOTEOUT-1  
EREMOTEOUT  
EREMOTEOUT-1B  
EREMOTEOUT-B  
EREMOTEOUT-1W  
EREMOTEOUT-W

**3-Year, No-Compromise Warranty:**

RAB warrants that our LED products will be free from defects in materials and workmanship for a period of three (3) years from the date of delivery to the end user, including coverage of light output, color stability, driver performance and fixture finish. RAB's warranty is subject to all terms and conditions found at [rablighting.com/warranty](http://rablighting.com/warranty).

**Dimensions**



**Features**

- Universal faces with red/green letters
- Durable thermoplastic design
- 90 minutes of battery backup
- Compliant with California Title 20

**Ordering Matrix**

Family	Lettering Color	Remote Capacity	Housing Color	No of Sides
ECOMBO34	RG	R	B	
	<b>Blank</b> = Red Lettering <b>RG</b> = Red/Green Selectable Lettering	<b>Blank</b> = Not Remote Capable <b>R</b> = Remote Capable	<b>Blank</b> = White <b>B</b> = Black	<b>Blank</b> = Universal one side or doubled sided faces with removable left/right arrows