



Project:	Type:
Prepared By:	Date:

Driver Info		LED Info	
Type	Constant Current, Class 2	Watts	7W
120V	73A	Color Temp	2700/3000/3500/4000/5000K
208V	N/A	Color Accuracy	90 CRI
240V	N/A	L70 Lifespan	N/A
277V	N/A	Lumens	700 lm
Input Watts	7.5W	Efficacy	93

Technical Specifications

Performance

Product Type:

Retrofit Downlight w/Nightlight

Description:

Recessed lighting retrofits with a nightlight mode to provide 2000K amber color temperature alone. Creates comfort, warmth, soft lighting and extra ambiance to help you fall asleep at night.

Wattage Equivalency:

40W Incandescent

Input Wattage:

7.5W

Nominal Lumens:

700lm (mainlight)
15lm (nightlight)

Actual Lumens:

Mainlight:
706lm @ 2700K;
713lm @ 3000K;
725lm @ 3500K;
739lm @ 4000K;
759lm @ 5000K

Nightlight:

30lm @ 2000K

Efficacy:

Mainlight:
96lm/W @ 2700K;
96lm/W @ 3000K;
96lm/W @ 3500K;
96lm/W @ 4000K;
96lm/W @ 5000K

Nightlight:

6lm/W @ 2000K

L70 Lifespan:

50,000-Hour LED lifespan based on IES LM-70 results

Electrical

THD:

20%

Power Factor:

>0.7

Dimmable:

Yes, dimmable down to 10% on compatible TRIAC/ELV dimming systems. See Dimmer Compatibility List.

Input Voltage:

120V

Operating Frequency:

60 Hz

Input Current @ 120V (mA):

0.07mA

Operating Temperature:

-4°F to 104°F (-20°C to 40°C)

Flicker:

30%

LED Characteristics

Beam Angle:

90°

Color Temperature:

Mainlight:
Field adjustable via dip switch
2700/3000/3500/4000/5000

Nightlight:

2000

Color Accuracy (CRI):

>90 CRI

R9 Value:

High color performance with R9 greater than 50

Color Consistency:

<4-step (2700K & 5000K); <7-step (3000K/3500K/4000K) MacAdam Ellipse binning to achieve consistent fixture-to-fixture color

Technical Specifications (continued)

Color Stability:

LED color temperature is warranted to shift no more than 200K in color temperature over a 5-year period

Color Uniformity:

RAB's range of Correlated Color Temperature follows the guidelines of the American National Standard for Specifications for the Chromaticity of Solid State Lighting (SSL) Products, ANSI C78.377-2017.

Installation

Mounting:

Mounts to 4" Recessed Housings (sold separately)

Base Type:

E26 socket adapter Included

Construction

Size:

4"

Shape:

Round

Finish:

White

Enclosure Material:

Plastic

Trim Style:

Smooth

Lens Finish:

Frosted

Lens:

Polycarbonate light diffuser distributes light evenly and smoothly for general lighting applications

Compliance

Listings:

UL Classified, UL Recognized

Environment:

Suitable for use indoors and outdoors in dry, damp, or wet environments.

IC Rated:

No

Air Tight:

No

Energy Star Approved:

This product is ENERGY STAR® Version 2.2 Certified.

DLC Listed:

No

Certification Model Number:

DLR0153(ECLPS4)

California Title 20 Compliant:

Can be used to conform with the requirements of California Title 20

California Title 24 JA8 Compliant:

No

California Energy Commission (CEC) Status:

Lawful for Sales in California

NEC Compliant:

Suitable for use in closets. Compliant with NEC Sec. 410.16 (A)(1) and 410.16 (C3).

IESNA LM-79 & LM-80 Testing:

RAB LED luminaires and LED components have been tested by an independent laboratory in accordance with IESNA LM-79 and LM-80.

RoHS:

Mercury and UV free. RoHS-compliant components.

FCC:

Complies with Part 15 of the FCC Rules

Other

Compatible Accessories:

[NDCANIC4R](#)

4" New construction recessed housing IC rated

[RDCANIC4R](#)

4" Remodeler recessed housing IC rated

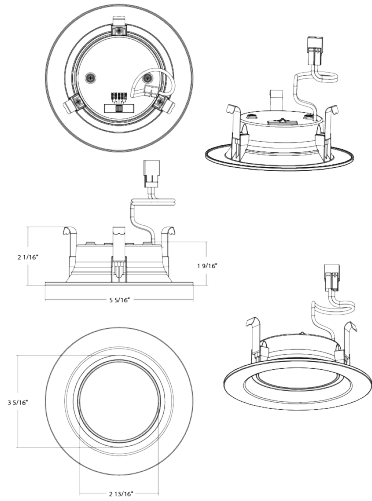
Warranty:

RAB warrants that our LED products will be free from defects in materials and workmanship for a period of five (5) years from the date of delivery to the end user, including coverage of light output, color stability, driver performance and fixture finish. RAB's warranty is subject to all terms and conditions found at rablighting.com/warranty.

Buy American Act Compliance:

RAB values USA manufacturing! Upon request, RAB may be able to manufacture this product to be compliant with the Buy American Act (BAA). Please contact customer service to request a quote for the product to be made BAA compliant.

Dimensions



Features

- Smooth and baffle trim cones available in a white finish
- 5CCT field adjustable (2700/3000/3500/4000/5000K)
- 2000K amber white nightlight ring located on the inside of the trim cone
- Dimmable on TRIAC/ELV @ 120V
- 50,000 hrs, 5-year no-compromise warranty

Ordering Matrix

Family	Size/Wattage	Shape	CRI/Color Temp	Driver	Finish	Trim
ECLPS	4					
	4 = 4", 7.5W 6 = 6", 9.5W	Blank = Round	Blank = 2700/3000/3500/4000/5000K CCT Adjustable	Blank = 120V, TRIAC/ELV	Blank = White	Blank = Smooth B = Baffle