

Project:	Type:
Prepared By:	Date:

Driver Info		LED Info	
Type	Constant Current	Watts	7W
120V	58	Color Temp	Field Adjustable
208V	N/A	Color Accuracy	90 CRI
240V	N/A	L70 Lifespan	50,000 Hours
277V	N/A	Lumens	653 lm
Input Watts	7W	Efficacy	92

Technical Specifications

<p>Performance</p> <hr/> <p>Product Type: Disk Surface Mount / Retrofit</p> <p>Lumens (Nominal): 650lm</p> <p>Efficacy: 92lm/W</p> <p>Lifespan: 50,000-Hour LED lifespan based on IES LM-80 results and TM-21 calculations</p> <p>LED Characteristics</p> <hr/> <p>Color Accuracy (CRI): 90 CRI</p> <p>Color Temperature: 2700K/3000K/4000K/5000K</p> <p>Electrical</p> <hr/> <p>THD: ≤20%</p> <p>Power Factor: ≥0.9</p> <p>Dimmable: TRIAC and ELV (at 120V only).</p>	<p>Input Voltage: 120V</p> <p>Operating Frequency: 60Hz</p> <p>Operating Temperature: -20°C to 40°C</p> <p>Other</p> <hr/> <p>Warranty: RAB warrants that our LED products will be free from defects in materials and workmanship for a period of five (5) years from the date of delivery to the end user, including coverage of light output, color stability, driver performance and fixture finish. RAB's warranty is subject to all terms and conditions found at rablighting.com/warranty.</p> <p>Buy American Act Compliance: RAB values USA manufacturing! Upon request, RAB may be able to manufacture this product to be compliant with the Buy American Act (BAA). Please contact customer service to request a quote for the product to be made BAA compliant.</p> <p>Construction</p> <hr/> <p>Size: 4"</p>	<p>Shape: Round</p> <p>Finish: White</p> <p>Base Type: E26 Edison</p> <p>Compliance</p> <hr/> <p>Listings: UL Classified, UL Recognized</p> <p>Environment: Wet</p> <p>NEC Compliant: Suitable for use in closets. Compliant with NEC Sec. 410.16 (A)(1) and 410.16 (C5).</p> <p>Energy Star Approved: ENERGY STAR® Version 2.2 Certified</p> <p>Energy Star ID: 2369269</p> <p>T20 Compliant: Yes</p> <p>T24 JA8 Compliant: Complies with Title 24 Appendix JA8</p>
---	--	---

Technical Specifications (continued)

Lawful for Sale in California:

Yes

RoHS:

Mercury and UV free. RoHS-compliant components.

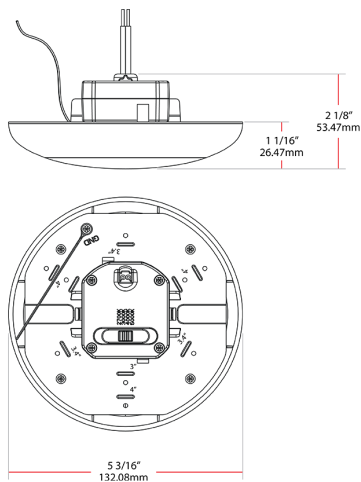
FCC:

Complies with Part 15B of the FCC Rules

Model Number for Certification:

DLS0059(DSK4R79FA120WS)

Dimensions



Features

- Low profile back-lit design made of durable thermoplastic housing with frosted lens
- New construction or retrofit applications
- Installs on standard junction boxes
- Suitable for indoor/outdoor use in dry, damp, and wet locations
- Suitable for use in closets when installed in accordance with NEC guidelines
- Dimmable down to 5% on compatible dimmers, see Dimmer Compatibility List

Ordering Matrix

Family	Size	Shape	Wattage	CRI/Color Temp	Voltage	Finish	Trim
DSK	4	R	7	9FA	120	W	S
	4 = 4"	R = Round	7 = 7W	9FA = 90 CRI, CCT Adjustable CCT	120 = 120V	W = White	S = Smooth
	6 = 6"		11 = 11W				
	8 = 8"		22 = 22W				

CCT options vary by product, see individual product spec sheet for more detail