



Project:	Type:
Prepared By:	Date:

Driver Info		LED Info	
Type	N/A	Watts	N/A
120V	N/A	Color Temp	N/A
208V	N/A	Color Accuracy	N/A
240V	N/A	L70 Lifespan	N/A
277V	N/A	Lumens	N/A
Input Watts	N/A	Efficacy	N/A

Technical Specifications

Performance

Product Type:

Mounting Hardware

Installation

Mounting:

Attach mounting hardware to metal bracket with included set screws

Other

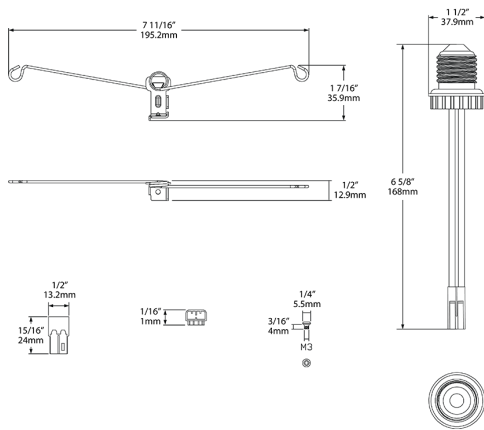
Base Type:

E26 Socket included

Buy American Act Compliance:

RAB values USA manufacturing! Upon request, RAB may be able to manufacture this product to be compliant with the Buy American Act (BAA). Please contact customer service to request a quote for the product to be made BAA compliant.

Dimensions



Features

- Use mounting bracket from DISK34 to attach mounting hardware
- Match the size of the diameter of the downlight housing to the holes on the bracket