

Weight: 3.2 lbs

Project:	Type:
Prepared By:	Date:

Technical Specifications

Performance

Product Type:
Emergency Driver

Description:
Field installable battery back up for direct mount downlights, see Downlight Accessory Compatibility Guide.

Input Power:
8W

Output Power:
20W

L70 Lifespan:
50,000-Hour LED lifespan based on IES LM-70 results

Electrical

Input Voltage:
100-277V

Output Voltage:
200VDC

Operating Frequency:
50/60Hz

Operating Temperature:
32°F to 140°F (0°C to 60°C)

Battery Operation:
90 minutes

Battery Type:
Lithium

Recharge Time Required:
24-hours

Discharge Temperature:
32°F to 140°F (0°C to 60°C)

Storage Temperature:
-4°F to 113°F (-20°C to 45°C)

Storage Shelf Life:
1-year

Installation

Mounting:
Recessed

Construction

Shape:
Rectangle

Finish:
Red

Enclosure Material:
Metal

Compliance

Listings:
UL924 Listed

Environment:
Suitable for use in dry and damp environments

IC Rated:
No

Certification Model Number:
DRI-21-EMGR-DC-D10

T20 Compliant:
Can be used to conform with the requirements of California Title 20

California Title 24 JA8 Compliant:
Not Compliant

California Energy Commission (CEC) Status:
Lawful for Sales in California

RoHS:
Mercury and UV free. RoHS-compliant components.

FCC:
Complies with Part 15B of the FCC Rules

Technical Specifications (continued)

Other

Compatible Products:

See Downlight Accessory Compatibility List for a complete listing of compatible products.

Warranty:

RAB warrants that our LED products will be free from defects in materials and workmanship for a period of five (5) years from the date of delivery to the end user, including coverage of light output, color stability, driver performance and fixture finish. RAB's warranty is subject to all terms and conditions found at rablighting.com/warranty.

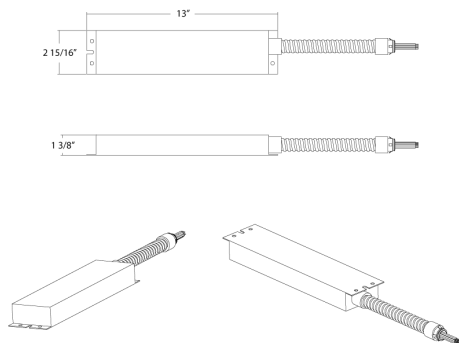
Note:

All values are typical (tolerance +/- 10%)

Buy American Act Compliance:

RAB values USA manufacturing! Upon request, RAB may be able to manufacture this product to be compliant with the Buy American Act (BAA). Please contact customer service to request a quote for the product to be made BAA compliant.

Dimensions



Features

For use with select RAB Commercial Downlights

Meets UL924 Requirements