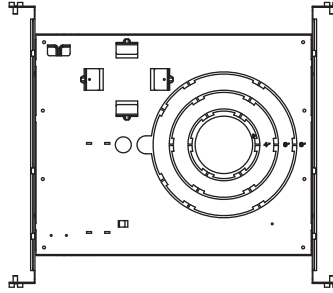


# INSTRUCTIONS

## DLPLATE/C3468R-NB



RAB Lighting is committed to creating high-quality, affordable, well-designed and energy-efficient LED lighting and controls that make it easy for electricians to install and end users to save energy. We'd love to hear your comments. Please call the Marketing Department at 888-RAB-1000 or email: [marketing@rablighting.com](mailto:marketing@rablighting.com)

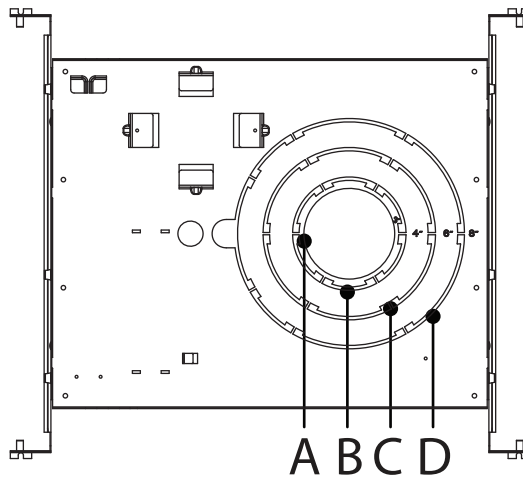


### IMPORTANT

**READ CAREFULLY BEFORE INSTALLING FIXTURE. RETAIN THESE INSTRUCTIONS FOR FUTURE REFERENCE.**

**WARNING - Wear safety gloves and other appropriate safety equipment.**

### COMPATIBLE PRODUCTS

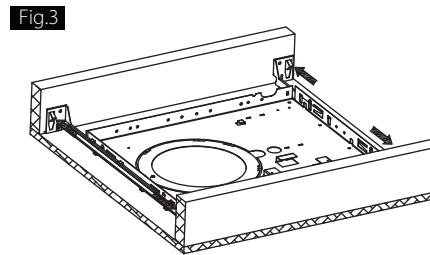
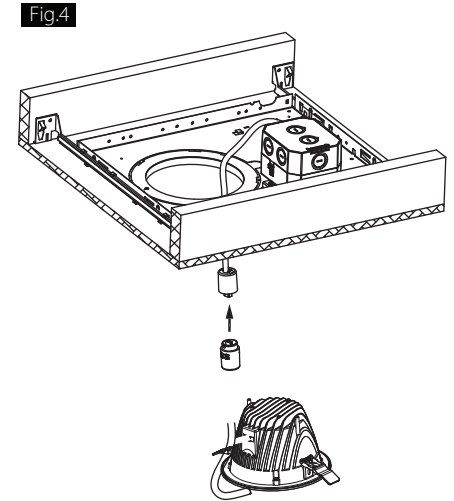
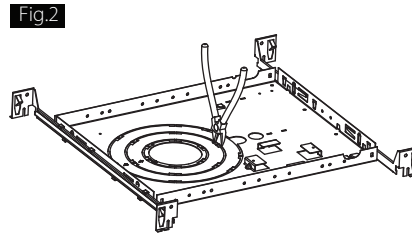
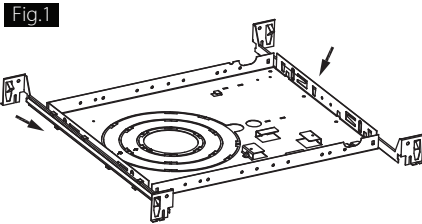


Circular Knockout (CKO) Instructions	Compatible products
A: $\text{Ø}3\text{-}1/8''$	Premium Downlight FA 3"
B: $\text{Ø}3\text{-}15/16''$	Premium Downlight FA 4"
C: $\text{Ø}5\text{-}15/16''$	Premium Downlight FA 6"   Performance Downlight FA 6"   Performance Downlight 6"
D: $\text{Ø}8''$	Premium Downlight FA 8"   Performance Downlight FA 8"   Performance Downlight 8" Performance Downlight 8" High Output

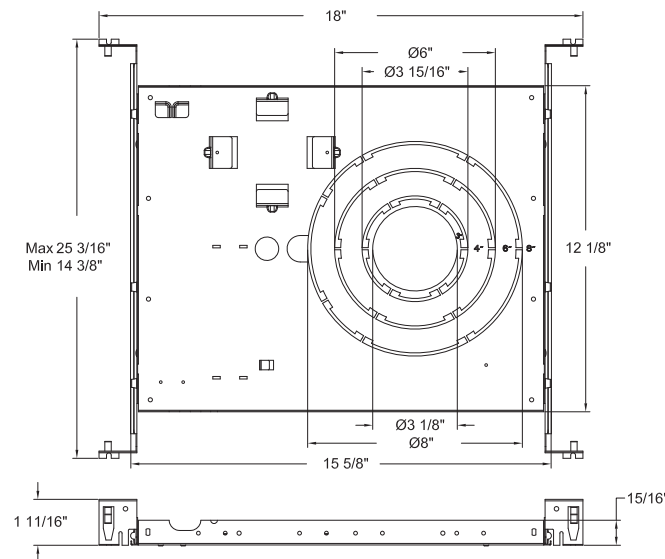
RAB Lighting is committed to creating high-quality, affordable, well-designed and energy-efficient LED lighting and controls that make it easy for electricians to install and end users to save energy. We'd love to hear your comments. Please call the Marketing Department at 888-RAB-1000 or email: [marketing@rablighting.com](mailto:marketing@rablighting.com)

## INSTALLATION INSTRUCTIONS

1. Fix the brackets on the plate. (fig.1)
2. Use cutting pliers to remove any CKO sections necessary to install the downlight. (fig.2)
3. Place the plate on top of the T-Grid tile where the downlight will be installed. Knock the brackets to the sides of T-Grid. (fig.3)
4. Once the plate is attached to the T-Grid, cut a hole in the tile following the inside of the selected CKO and follow appropriate downlight installation instruction to complete the installation. (fig.4)



## DIMENSIONAL DRAWINGS



**Note:** These instructions do not cover all details or variations in equipment nor do they provide for every possible situation during installation, operation or maintenance.