



Now, more is less. Economical retrofit downlights with more to offer. Available in standard or adjustable heads.

Color: White

Weight: 0.8 lbs

**Project:**

**Type:**

**Prepared By:**

**Date:**

### Driver Info

Type	Constant Current
120V	0.078A
208V	N/A
240V	N/A
277V	N/A
Input Watts	8.8W

### LED Info

Watts	9W
Color Temp	2700K (Residential Warm)
Color Accuracy	90 CRI
L70 Lifespan	50,000 Hours
Lumens	662 lm
Efficacy	75.2 lm/W

## Technical Specifications

### Compliance

#### UL Classified:

Suitable for damp locations

#### Energy Star Approved:

ENERGY STAR® Version 2.0 Certified

#### IESNA LM-79 & lm-80 Testing:

RAB LED luminaires and LED components have been tested by an independent laboratory in accordance with IESNA lm-79 and lm-80

#### California Energy Commission (CEC) Status:

Not Lawful for Sales in California

### Electrical

#### Driver:

Constant Current, Class 2, 50/60 Hz, 120V: 0.078A

#### THD:

27.2% at 120V

#### Power Factor:

95.4% at 120V

#### Dimming:

TRIAC and ELV dimming compatibility. [See dimmer compatibility guide here.](#)

### Construction

#### Ambient Temperature:

-20°C to 40°C

#### Housing:

Precision, die-cast aluminum

#### Installation:

Jam clips for secure installation

#### Socket Adapter:

Edison 26 Medium Base Socket adapter included in box

#### Lens:

Frosted acrylic lens

#### Finish:

Chip and fade-resistant polyester powder coat finish

#### Green Technology:

Mercury and UV free. RoHS-compliant components.

### LED Characteristics

#### LEDs:

Multi-chip, high-output, long-life LEDs

### Performance

#### Lifespan:

50,000-Hour LED lifespan based on IES LM-80 results and TM-21 calculations

### Other

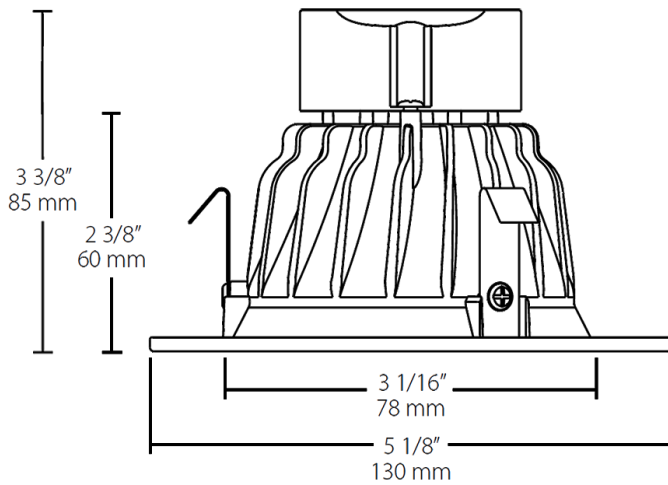
#### Warranty:

RAB warrants that our LED products will be free from defects in materials and workmanship for a period of five (5) years from the date of delivery to the end user, including coverage of light output, color stability, driver performance and fixture finish. RAB's warranty is subject to all terms and conditions found at [rablighting.com/warranty](http://rablighting.com/warranty).

#### Buy American Act Compliance:

RAB values USA manufacturing! Upon request, RAB may be able to manufacture this product to be compliant with the Buy American Act (BAA). Please contact customer service to request a quote for the product to be made BAA compliant.

## Dimensions



## Features

- Superior thermal management with heat-dissipating fins
- Specification-grade 90 CRI standard
- Edison E26 Medium Base socket adapter included
- 5-Year, No-Compromise Warranty

## Ordering Matrix

Family	Size	Shape	Wattage	Color Temp
DLED	4	R	9	YY
	6 = 6"	R = Round	9 = 9W	YN = 3500K Warm Neutral
	4 = 4"	AR = Adjustable Round	11 = 11W	Y = 3000K Warm
			14 = 14W	YY = 2700K Residential Warm