



| | |
|---------------------|--------------|
| Project: | Type: |
| Prepared By: | Date: |

| Driver Info | | LED Info | |
|-------------|------------------|----------------|---------------------------|
| Type | Constant Current | Watts | 10W |
| 120V | 0.09A | Color Temp | 2700/3000/3500/4000/5000K |
| 208V | N/A | Color Accuracy | 90 CRI |
| 240V | N/A | L70 Lifespan | 50,000 Hours |
| 277V | N/A | Lumens | 891-958 lm |
| Input Watts | 9.6-9.7W | Efficacy | 93.2-98.5 lm/W |

Technical Specifications

Performance

Product Type:
Surface Mount

Description :
Contractor bulk pac, ultra-economy, CCT-adjustable surface mount disk lights

Wattage Equivalency:
75W Incandescent

Input Wattage:
10W

Lumens:
900lm

Efficacy:
90lm/W

L70 Lifespan:
50,000-Hour LED lifespan based on IES LM-70 results

Electrical

Driver:
Constant Current, 120V, 60 Hz; @ 120V: 100mA

Power Factor:
≥0.9

Dimmable:
Yes, dimmable down to 10% on compatible TRIAC/ELV dimming systems. See Dimmer Compatibility List.

Input Voltage:
120V

Operating Frequency:
60 Hz

Operating Temperature:
-4°F to 104°F (-20°C to 40°C)

Flicker:
<30%

LED Characteristics

Beam Angle:
90°

Color Temperature:
Field adjustable via dip switch
2700/3000/3500/4000/5000K

Color Accuracy (CRI):
90 CRI

Natural Spectrum:
No

R9 Value:
High color performance with R9 greater than 50

Color Consistency:
<4-step MacAdam Ellipse binning to achieve consistent fixture-to-fixture color

Installation

Mounting:
Surface Mount

Construction

Size:
6"

Shape:
Round

Finish:
White

Enclosure Material:
Plastic

Trim Style:
Smooth

Lens Finish:
Frosted

Technical Specifications (continued)**Lens:**

Twist-lock lens makes it easy to remove and attach during installation with UV resistant polycarbonate diffuser

Compliance**Listings:**

UL Listed

Environment:

Suitable for use indoors and outdoors in dry, damp, or wet environments.

IC Rated:

No

Air Tight:

No

Energy Star Approved:

This product is ENERGY STAR® Certified.

Certification Model Number:

DL50191(DISK17-6/BP)

California Title 20 Compliant:

No

California Title 24 JA8 Compliant:

Can be used to conform with the requirements of California Title 24 Part 6.

California Energy Commission (CEC) Status:

Lawful for Sales in California

IESNA LM-79 & LM-80 Testing:

RAB LED luminaires and LED components have been tested by an independent laboratory in accordance with IESNA LM-79 and LM-80.

RoHS:

Mercury and UV free. RoHS-compliant components.

FCC:

Complies with Part 15 of the FCC Rules

Trade Agreements Act Compliant:

This product is a product of Cambodia and a "designated country" end product that complies with the Trade Agreements Act

Other**Compatible Products:**

DISK36-TRIM-6-BLK
6" Color trim for DISK round black

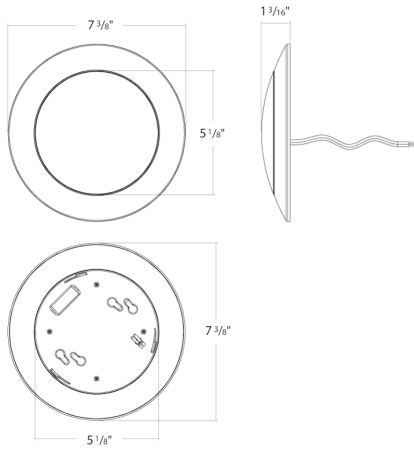
DISK36-TRIM-6-BN
6" Color trim for DISK round brushed nickel

DISK36-TRIM-6-BRZ
6" Color trim for DISK round bronze

5-Year Limited Warranty:

The RAB 5-year, limited warranty covers light output, driver performance and paint finish. RAB's warranty is subject to all terms and conditions found at rablighting.com/warranty.

Dimensions



Features

- Ultra low-profile, back-lit design made of durable thermoplastic with frosted lens
- Five selectable color temperatures in each fixture. (2700-3000-3500-4000-5000K)
- Easy surface mount installation with included keyholes and compatible with 3/0 & 4/0 junction boxes
- Designed and Certified to Comply with NEC Code 410.16(A)(1) and NEC Code 410.16(C)(1) for Installation in Closet Storage Space
- Wet Location, Title 24, & Energy Star rated. 5-year warranty
- Packaged in bulk case quantities of 12

Ordering Matrix

| Family | Size/Wattage | Shape | CRI/Color Temp | Driver | Finish |
|--------|---------------------------|---------------|--|-------------------------|---------------|
| DISK17 | 6 | | | | |
| | 4 = 4", 7W 6 = 6", 10W | Blank = Round | Blank = 90 CRI, 2700/3000/3500/4000/5000K CCT Adjustable | Blank = 120V, TRIAC/ELV | Blank = White |