



Project:	Type:
Prepared By:	Date:

Driver Info		LED Info	
Type	Constant Current	Watts	8W
120V	0.10A	Color Temp	2700/3000/3500/4000/5000K
208V	0.09A	Color Accuracy	>90 CRI
240V	0.09A	L70 Lifespan	50,000 Hours
277V	0.09A	Lumens	660 lm
Input Watts	8.5W	Efficacy	69

Technical Specifications

Performance

Product Type:

Daisy Wafer

Description:

Edge-lit wafer downlight compatible with the Daisy Wafer Kit and extension cable. Driver not included.

Wattage Equivalency:

60W Incandescent

L70 Lifespan:

50,000-Hour LED lifespan based on IES LM-70 results

Electrical

Driver:

Constant Current, Class 2, 60 Hz, 120V-277V, 120V: 0.10A, 208V: 0.09A, 240V: 0.09A, 277V: 0.09A

Dimming Driver:

Driver includes dimming control wiring for 0-10V dimming systems. Requires separate 0-10V DC dimming circuit. Dims down to 5%.

Power Factor:

≥0.9

Dimmable:

Yes, 0-10V dims down to 5%. See Dimmer Compatibility List.

Input Voltage:

120-277V

Operating Frequency:

60 Hz

Input Current @ 120V (mA):

95mA

Input Current @ 208V (mA):

92mA

Input Current @ 240V (mA):

93mA

Input Current @ 277V (mA):

93mA

Operating Temperature:

-13° to 104° F

Flicker:

≤30%

LED Characteristics

Color Temperature:

Field Adjustable via dip switch
2700/3000/3500/4000/5000K

Color Accuracy (CRI):

>90 CRI

R9 Value:

High color performance with R9 greater than or equal to 50

Color Consistency:

4-step MacAdam Ellipse binning to achieve consistent fixture-to-fixture color

Color Stability:

LED color temperature is warranted to shift no more than 200K in color temperature over a 5-year period

Color Uniformity:

RAB's range of Correlated Color Temperature follows the guidelines of the American National Standard for Specifications for the Chromaticity of Solid State Lighting (SSL) Products, ANSI C78.377-2017.

Installation

Mounting:

Recessed

Technical Specifications (continued)**Construction****Size:**
4"**Shape:**
Round**Finish:**
White**Enclosure Material:**
Polycarbonate**Trim Style:**
Baffle**Lens:**
Polycarbonate light diffuser distributes light evenly and smoothly for general lighting applications**Cut Out Template Size:**
4 5/16"**Air Tight:**
Housing certified Air Tight as per ASTM E283**Compliance****Listings:**
UL Listed**Environment:**
Suitable for use in dry, damp, and wet environments.**IC Rated:**
Suitable for direct contact with insulation.
Type IC inherently protected, suitable for direct contact to air permeable insulation and cULus listed for damp locations. Not for use in direct contact with spray foam insulation, consult NEMA LSD57-2013.**Energy Star Approved:**
No**Model Number for Certification:**
DAS0007(DAISY4B)**T20 Compliant:**
Not applicable**California Title 24 JA8 Compliant:**
Not applicable**California Energy Commission (CEC) Status:**
Lawful for Sales in California**NEC Compliant:**

Suitable for use in closets. Compliant with NEC Sec. 410.16 (A)(1) and 410.16 (C3).

IESNA LM-79 & lm-80 Testing:

RAB LED luminaires and LED components have been tested by an independent laboratory in accordance with IESNA lm-79 and lm-80

RoHS Compliant:

Mercury and UV free. RoHS-compliant components.

FCC:

Complies with Part 15B of the FCC Rules

Trade Agreements Act Compliant:

This product is a product of Cambodia and a "designated country" end product that complies with the Trade Agreements Act

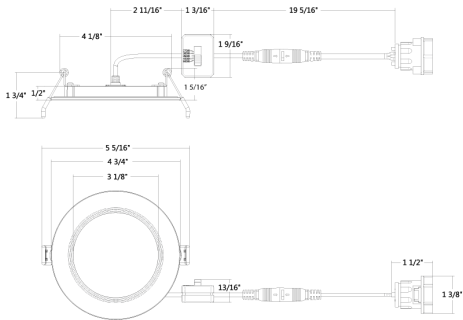
Other**Accessories:**DAISY50
50' Extension cord with connectors**Warranty:**RAB warrants that our LED products will be free from defects in materials and workmanship for a period of five (5) years from the date of delivery to the end user, including coverage of light output, color stability, driver performance and fixture finish. RAB's warranty is subject to all terms and conditions found at rablighting.com/warranty.**Note:**

All values are typical (tolerance +/- 10%)

Buy American Act Compliance:

RAB values USA manufacturing! Upon request, RAB may be able to manufacture this product to be compliant with the Buy American Act (BAA). Please contact customer service to request a quote for the product to be made BAA compliant.

Dimensions



Features

- Power multiple wafers with a single driver (4" up to 10 pcs.)
- 5 color temperatures in 1 SKU (2700/3000/3500/4000/5000K)
- Super slim, edge-lit fixture
- No recessed housing or J-box required
- New construction or retrofit applications

Ordering Matrix

Family	Kit	Size/Wattage	Shape	CRI/Color Temp	Voltage	Finish	Trim
DAISY		4					B
	Blank = 1-Wafer, 0-Driver KIT = 6-Wafers, 1-Driver	4 = 4"; 8.5W 6 = 6"; 11W	Blank = Round	Blank = 90 CRI; 2700K/3000K/3500K/4000K/5000K CCT Adjustable	Blank = 120-277V	Blank = White	Blank = Smooth B = Baffle