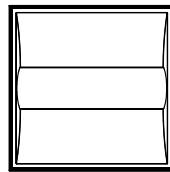


INSTRUCTIONS

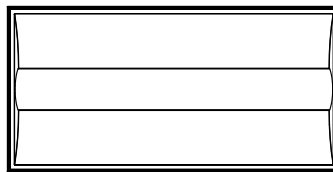
C-SWISH® FIELD-ADJUSTABLE INSTALLATION

RAB®

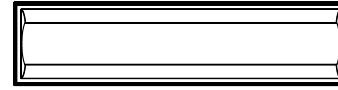
RAB Lighting is committed to creating high-quality, affordable, well-designed and energy-efficient LED lighting and controls that make it easy for electricians to install and end users to save energy. We'd love to hear your comments. Please call the Marketing Department at 888-RAB-1000 or email: marketing@rablighting.com



C-SWISH2x2



C-SWISH2x4



C-SWISH1x4

IMPORTANT

READ CAREFULLY BEFORE INSTALLING FIXTURE. RETAIN THESE INSTRUCTIONS FOR FUTURE REFERENCE.

RAB fixtures must be wired in accordance with the National Electrical Code and all applicable local codes. Proper grounding is required for safety. THIS PRODUCT MUST BE INSTALLED IN ACCORDANCE WITH THE APPLICABLE INSTALLATION CODE BY A PERSON FAMILIAR WITH THE CONSTRUCTION AND OPERATION OF THE PRODUCT AND THE HAZARDS INVOLVED.

WARNING: Make certain power is OFF before installing or maintaining fixture. No user serviceable parts inside.

Caution: Min 90°C Supply Conductors. Type IC, Inherently Protected. Vapor barrier must be suitable for 90°C.

Suitable for damp locations. Suitable for operation in ambient not exceeding 40°C. Access above ceiling is required.

For use in NON-FIRE-RATED installation only.

RECESSED CEILING MOUNTING

The fixture is suitable only for INDOOR RECESSED CEILING application. Above ceiling access required.

To mount in an insulated or non-insulated ceiling - 9/16" or 15/16" exposed Flat Tee Grid Ceiling follow the steps below.

1. Rotate and slide the **Housing** as required to fit through the **Tee-Grid Bar** and place it as indicated as shown in Fig. 1.
2. Firmly bend the pre-installed **Grid Clips (4)** against the **Tee-Grid Bar** to secure the **Housing** as shown in Fig. 2.
3. Support wires are required by Installation Codes. Support the **Housing** to the building structure by support wires (*by others*) through the **Support Wire Holes** as shown in Fig. 2.
4. Make sure that the orientation of the **Access Plate** faces an accessible tile to make electrical splices. Loosen **Access Plate Screw** and remove the **Access Plate** (Fig. 2).
5. Knock out appropriate **Conduit Knockout(s)** on the **Access Plate** to route input conduit. Use appropriate conduit connectors as required by code (Fig. 3).
6. Connect wires as shown in wiring diagram (Fig 4). Push all wires back into the **Splice Box**. Be careful not to pinch wires. **WARNING: To prevent wiring damage or abrasion, do not expose wiring to edges of sheet metal or other sharp objects.**
7. Replace **Access Plate** and tighten **Access Plate Screw**.

Fig: 1

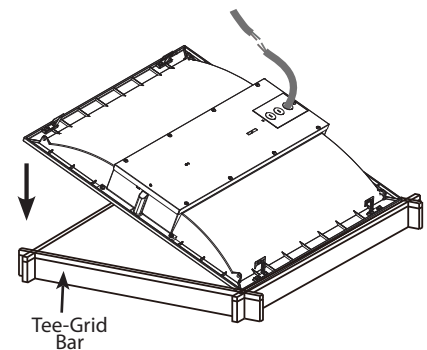


Fig: 2

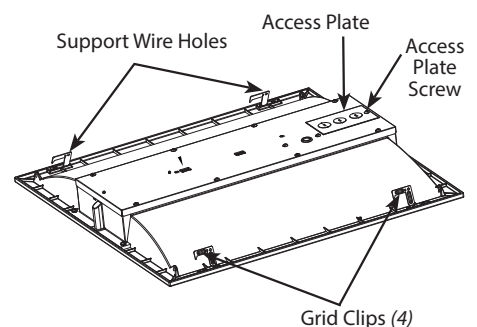
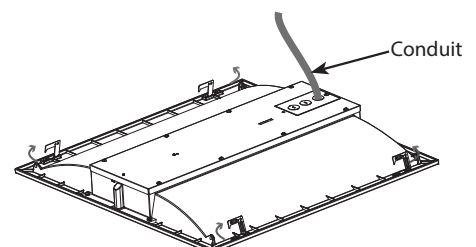


Fig: 3



INSTRUCTIONS

C-SWISH® FIELD-ADJUSTABLE INSTALLATION



RAB Lighting is committed to creating high-quality, affordable, well-designed and energy-efficient LED lighting and controls that make it easy for electricians to install and end users to save energy. We'd love to hear your comments. Please call the Marketing Department at 888-RAB-1000 or email: marketing@rablighting.com

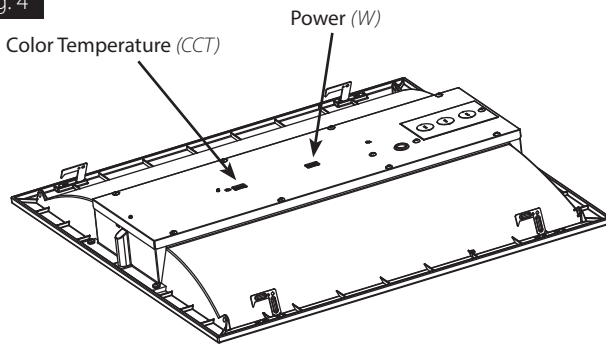
FIELD ADJUSTMENT

Follow instructions below to change the fixture **Power (W)** and/or **Color Temperature (CCT)** from the factory settings.

Factory Settings: C-SWISH1X4 - 30W / 4000K
C-SWISH2X2 - 30W / 4000K
C-SWISH2X4 - 36W / 4000K

1. Locate the **Field-Adjustable Switches** on the back of housing as shown in Fig 4.
2. Select **Power (W)** and/or **Color Temperature (CCT)** by sliding the respective switch to the desired value.

Fig. 4

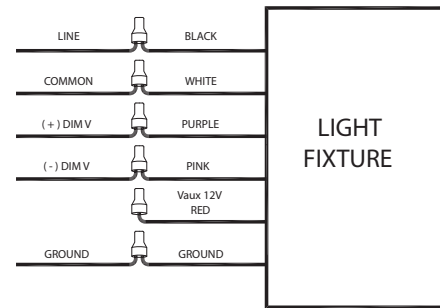


0-10V DIMMABLE WIRING

Universal voltage driver permits operation at 120V through 277V, 50 or 60 Hz. 0-10V control wires must be rated for 300V minimum. For 0-10V dimming follow the wiring directions shown below (Fig. 5).

1. Connect the black fixture lead to the **LINE** supply lead.
2. Connect the white fixture lead to the **COMMON** supply lead.
3. Connect the **GROUND** wire from fixture to supply ground. Do NOT connect the **GROUND** of the dimming fixture to the output.
4. Connect the purple fixture lead to the (V+) DIM lead.
5. Connect the pink fixture lead to the (V-) DIM lead.

Fig. 5



MVS MODELS (Internal)

(optional remote sold separately for custom settings, CAT# MSR1).

Factory Settings:

- Brightness: 100%
- Hold Time: 20 Minute
- Daylight: Disabled
- Motion Sensitivity: High
- Stand-by dimming level: 20%
- Stand-by time: 1 Minute

CLEANING & MAINTENANCE

CAUTION: Be sure fixture temperature is cool enough to touch. Do not clean or maintain while fixture is energized.

1. Clean polycarbonate lens & fixture with non-abrasive cleaning solution.
2. Do not open fixture to clean the LEDs. Do not touch the LEDs.

TROUBLESHOOTING

1. Check that the line voltage at the fixture is correct. Refer to wiring directions.
2. Is the fixture grounded properly?

Note: These instructions do not cover all details or variations in equipment nor do they provide for every possible situation during installation, operation or maintenance.

INSTRUCTIONS

C-SWISH® FIELD-ADJUSTABLE INSTALLATION



RAB Lighting is committed to creating high-quality, affordable, well-designed and energy-efficient LED lighting and controls that make it easy for electricians to install and end users to save energy. We'd love to hear your comments. Please call the Marketing Department at 888-RAB-1000 or email: marketing@rablighting.com

BATTERY BACKUP MODELS

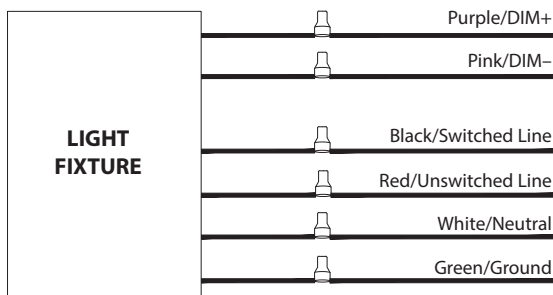
WIRING

NOTE: Make sure that the necessary branch circuit wiring is available. An **UNSWITCHED** AC source of power is required. The emergency driver must be fed from the same branch circuit as the LED driver.

CAUTION: Do not use any supply voltage other than 120-277V 50/60 HZ.

1. Connect **UNSWITCHED HOT** fixture lead to **HOT AC** supply line.
2. If using an **UNSWITCHED** circuit, connect **UNSWITCHED** and **SWITCHED** lines together.
3. If using a **SWITCHED** circuit, connect **SWITCHED HOT** AC fixture lead to the external.
4. For 0-10V dimming connect **DIM (+)** purple and **DIM (-)** pink leads to dimming connections.
5. All unused leads must be capped and insulated.
6. After installation is complete, supply AC power to the fixture. Battery and EM module are pre-connected.
7. When power is on, the fixture should be on and the Charging Indicator Light should illuminate to indicate the battery is charging.
8. Once the BATTERY has charged for at least one hour a short duration test may be performed by pressing the **Test Button** (Fig.7).
9. After the battery has charged for 24 hours a long duration test can be performed by shutting power to the fixture.

FIG. 6



Note: These instructions do not cover all details or variations in equipment nor do they provide for every possible situation during installation, operation or maintenance.

OPERATION

1. When AC power is applied, the charging indicator light is illuminated indicating that the **BATTERY** is being charged.
2. When power fails the standby power automatically switches to emergency power (*internal battery*) operating at reduced illumination. The emergency driver supplies standby power for a minimum of 90 minutes.
3. When AC power is restored the emergency driver automatically returns to charging mode.

MAINTENANCE

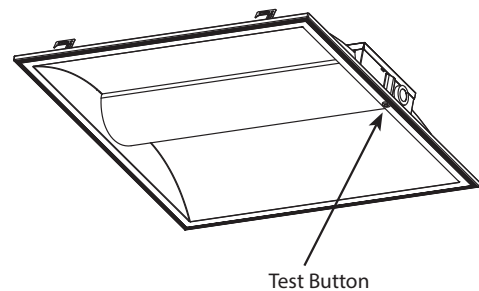
Although no routine maintenance is required to keep the emergency driver functional it should be checked periodically to ensure that it is working. The following schedule is recommended:

1. Visually inspect the charging indicator light monthly. It should be illuminated.
2. Test the emergency operation of the fixture at 30-day intervals for a minimum of 30 seconds.
3. Conduct a 90-minute discharge test once a year. Fixture would operate at reduced illumination for a minimum of 90 minutes.

TROUBLESHOOTING

1. Is the fixture grounded properly?
2. If the charging indicator light does not illuminate after pressing the **Test Button** (Fig. 7), check if battery is connected properly.

Fig. 7



© 2024 RAB LIGHTING Inc.

C-SWISH-IN-0624
P-100952

Easy Answers

rablighting.com
Visit our website for product info

Tech Help Line
Call our experts: 888 722-1000

e-mail
Answered promptly - sales@rablighting.com

Free Lighting Layouts
Answered online or by request

RAB WARRANTY: RAB's warranty is subject to all terms and conditions found at rablighting.com/warranty