

INSTRUCTIONS

C-STRIP™ FIELD-ADJUSTABLE INSTALLATION

RAB®

RAB Lighting is committed to creating high-quality, affordable, well-designed and energy-efficient LED lighting and controls that make it easy for electricians to install and end users to save energy. We'd love to hear your comments. Please call the Marketing Department at 888-RAB-1000 or email: marketing@rablighting.com



CS4



CS8

IMPORTANT

READ CAREFULLY BEFORE INSTALLING FIXTURE. RETAIN THESE INSTRUCTIONS FOR FUTURE REFERENCE.

RAB fixtures must be wired in accordance with the National Electrical Code and all applicable local codes. Proper grounding is required for safety. THIS PRODUCT MUST BE INSTALLED IN ACCORDANCE WITH THE APPLICABLE INSTALLATION CODE BY A PERSON FAMILIAR WITH THE CONSTRUCTION AND OPERATION OF THE PRODUCT AND THE HAZARDS INVOLVED.

WARNING: Disconnect or turn OFF power at the electrical panel before installing or maintaining fixture. No User serviceable parts inside fixture. Suitable for damp locations.

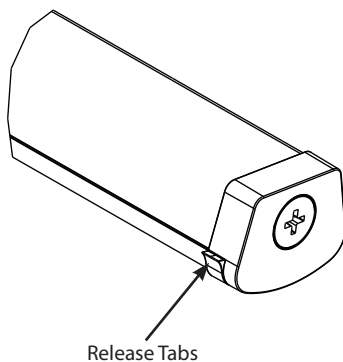
SURFACE MOUNTING

The fixture is suitable for indoor applications for ceiling mounting, as follows:

1. Carefully open the fixture **LED/Lens Tray Assembly** by pressing the **Release Tabs** at each end of the fixture as shown in (Fig. 1).
2. **Junction Box Plate(s)** with screws is provided if needed. Secure the fixture **Housing** to the surface with appropriate fasteners (by others), Fig. 2.
3. **8ft Fixture**, after unfolding both halves of the fixture slide the **Latch Bar** in the direction of **Arrow** and secure with **Screw** (provided) Fig. 3.
4. Use appropriate UL rated wire connectors as required by code to make electrical splices to fixture leads. Follow appropriate mounting and wiring instructions per code, see wiring diagram Fig. 9.
5. Bundle the wires in a tight group to be moved out of the way and close the **LED/LENS Tray Assembly** as shown in Fig. 4.

WARNING: To prevent wiring damage or abrasion, do not expose wiring to sharp objects.

Fig: 1



Release Tabs

Fig: 2

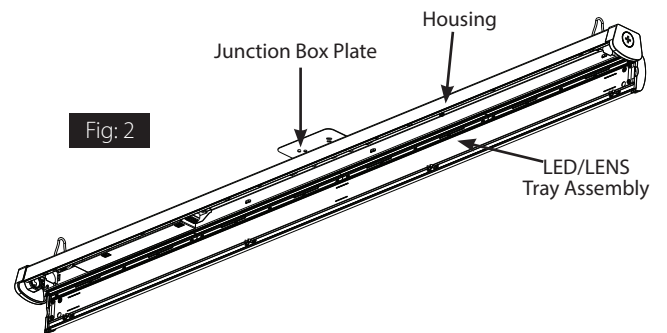


Fig: 3

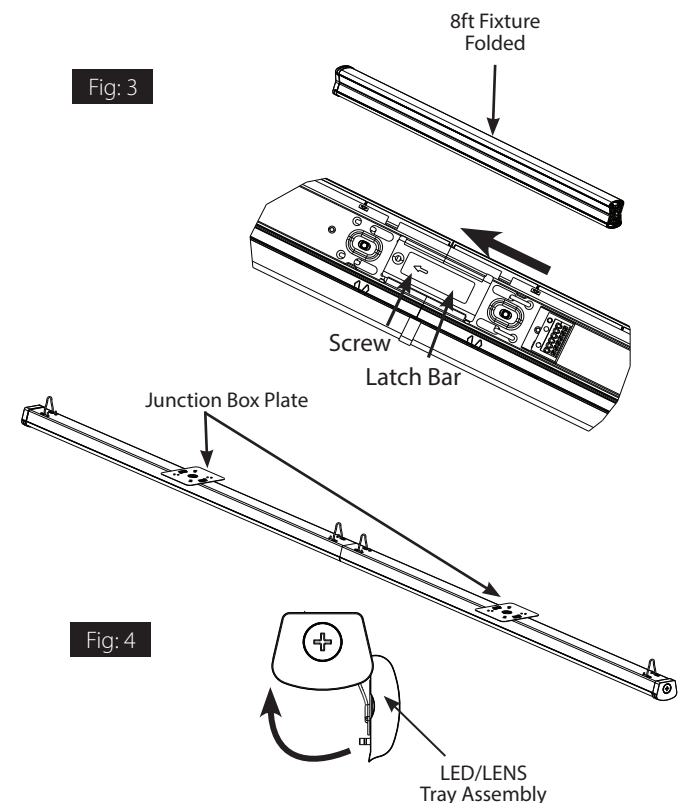


Fig: 4

LED/LENS Tray Assembly

INSTRUCTIONS

C-STRIP™ FIELD-ADJUSTABLE INSTALLATION



RAB Lighting is committed to creating high-quality, affordable, well-designed and energy-efficient LED lighting and controls that make it easy for electricians to install and end users to save energy. We'd love to hear your comments. Please call the Marketing Department at 888-RAB-1000 or email: marketing@rablighting.com

V-HOOK MOUNTING

The fixture can be mounted using V-Hooks (*provided*).

4ft Fixture 2 V-Hooks included, 8ft Fixture 4 V-Hooks included.

1. Mount **V-Hooks** (*provided*) through the available **Slots** on the top of housing as shown (*Fig. 5, 6, 7*). Use the appropriate mounting hardware for the mounting surface.
2. Use appropriate UL rated wire connectors as required by code to make electrical splices to fixture leads. Follow appropriate mounting and wiring instructions per code.
3. Bundle the wires in a tight group to be moved out of the way and close the **LED/LENS Tray Assembly** as shown in Fig. 4.

WARNING: To prevent wiring damage or abrasion, do not expose wiring to edges of sharp objects.

Fig: 5

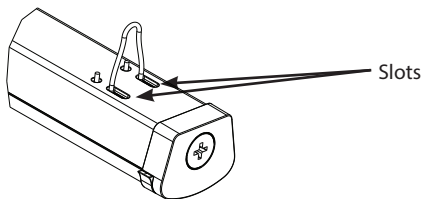


Fig: 6

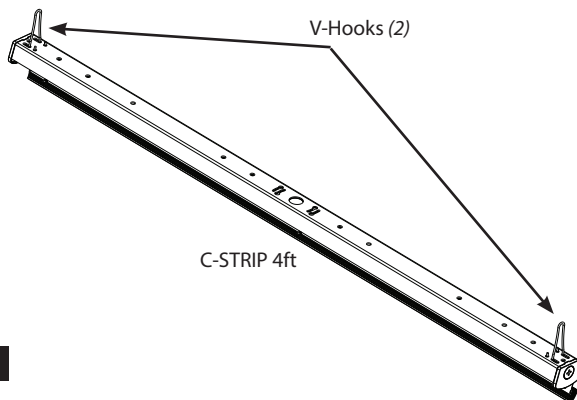
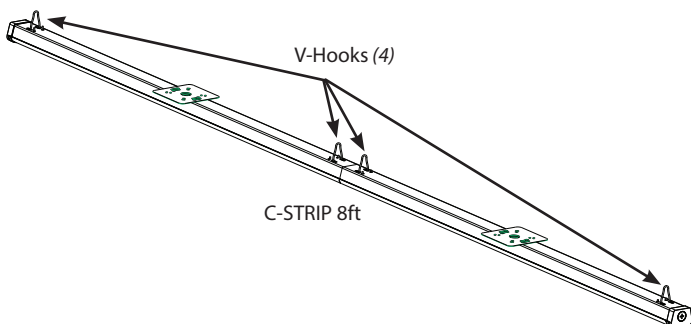


Fig: 7



FIELD ADJUSTMENT

Color Temperature (CCT) Selection:

This product is equipped with 3500K, 4000K or 5000K CCT **Color Temperature** selection. For maximum light output use the 4000K **Color Temperature**.

Power (%) Selection:

This product is equipped with 50%, 75% and 100% power output selection.

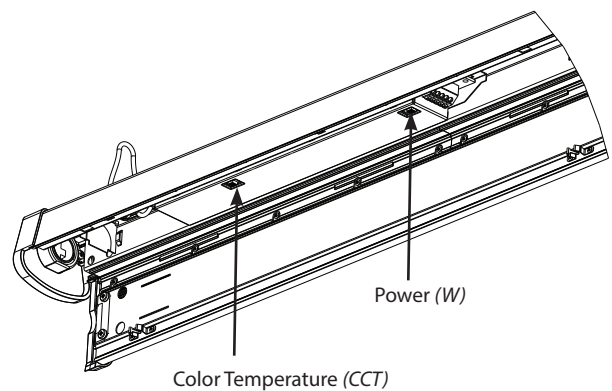
Follow instructions below to change **Color Temperature (CCT)** and/or **Power (%)** from factory settings.

Factory Settings: 100% Power, 4000K CCT (*for CS8 each half will have independent setting*)

1. Locate the **Field-Adjustable Switches** in Fixture wiring compartment as shown in Fig. 8.
2. Select **Color Temperature (CCT)** and/or **Power (%)** by sliding the respective switch to the desired value.
3. Close the **LED/LENS Tray Assembly** as shown in Fig. 4.

WARNING: To prevent wiring damage or abrasion, do not expose wiring to edges of sharp objects.

Fig: 8



INSTRUCTIONS

C-STRIP™ FIELD-ADJUSTABLE INSTALLATION



RAB Lighting is committed to creating high-quality, affordable, well-designed and energy-efficient LED lighting and controls that make it easy for electricians to install and end users to save energy. We'd love to hear your comments. Please call the Marketing Department at 888-RAB-1000 or email: marketing@rablighting.com

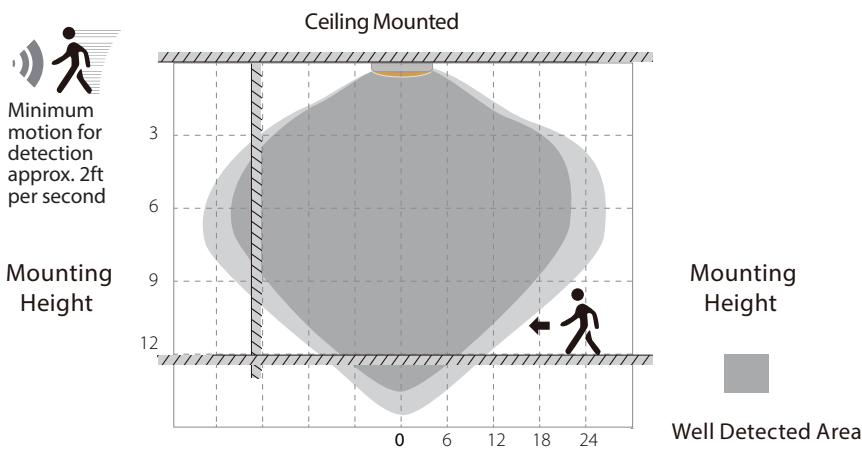
MVS MODELS *(Internal)*

Optional remote sold separately for custom settings, CAT# MSR1

Factory Settings:

- Brightness: 100%
- Hold Time: 20 Minutes
- Daylight: Disabled
- Sensitivity: 100%
- Stand-by dimming level: 20%
- Standby-by time : 1 Minute

MVS DETECTION PATTERN



Highest mounting height is: **14.5ft**

This figure indicates the maximum distance at the highest mounting height with 100% sensitivity.

0-10V DIMMABLE WIRING

RISK OF FIRE. Universal voltage driver permits operation at 120V through 277V, 50 or 60 Hz. For 0-10V dimming, follow the wiring directions as shown in Fig. 9.

1. Connect the black fixture lead to the **LINE** supply lead.
2. Connect the white fixture lead to the **COMMON** supply lead.
3. Connect the green **GROUND** wire from fixture to supply ground.
4. Connect the purple fixture lead to the (V+) DIM lead.
5. Connect the pink fixture lead to the (V-) DIM lead.
6. Cap the yellow fixture lead, if present. Do NOT connect.

CLEANING & MAINTENANCE

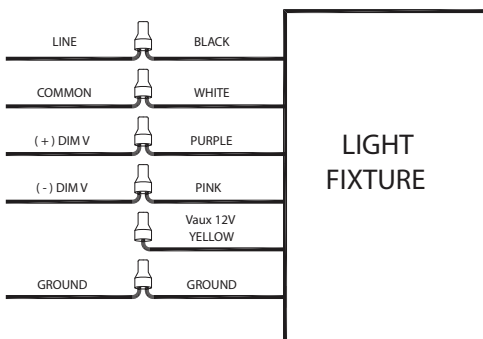
CAUTION: Be sure fixture temperature is cool enough to touch. Do not clean or maintain while fixture is energized.

1. Clean acrylic lens with non-abrasive cleaning solution.
2. Do not open the fixture to clean the LEDs. Do not touch the LEDs.

TROUBLESHOOTING

1. Check that the line voltage at the fixture is correct. Refer to wiring directions in Fig. 9.
2. Be sure the fixture is grounded properly.

Fig. 9



INSTRUCTIONS

C-STRIP™ FIELD-ADJUSTABLE INSTALLATION



RAB Lighting is committed to creating high-quality, affordable, well-designed and energy-efficient LED lighting and controls that make it easy for electricians to install and end users to save energy. We'd love to hear your comments. Please call the Marketing Department at 888-RAB-1000 or email: marketing@rablighting.com

BATTERY BACKUP MODELS

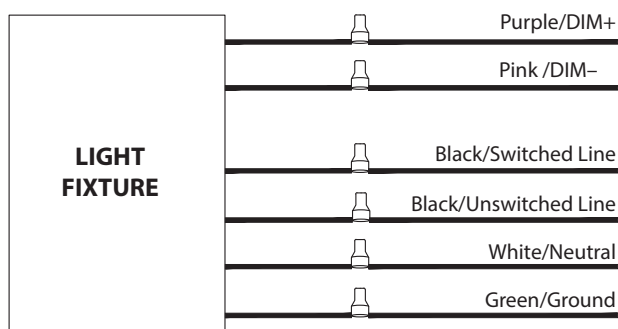
WIRING

NOTE: Make sure that the necessary branch circuit wiring is available. An **UNSWITCHED** AC source of power is required. The emergency driver must be fed from the same branch circuit as the LED driver (Fig. 10).

CAUTION: Do not use any supply voltage other than 120-277V 50/60 HZ.

1. Connect **UNSWITCHED HOT** fixture lead to **HOT AC** supply line.
2. If using an **UNSWITCHED** circuit, connect **UNSWITCHED** and **SWITCHED** lines together.
3. If using a **SWITCHED** circuit, connect **SWITCHED HOT** AC fixture lead to the external.
4. For 0-10V dimming, connect **DIM (+)** purple and **DIM (-)** pink leads to 0-10V dimming connection.
5. All unused leads must be capped and insulated.
6. When power is on, the fixture should be on and the Charging Indicator Light should illuminate to indicate the battery is charging.
7. Once the BATTERY has charged for at least one hour, a short duration test may be performed by pressing the **Test Button** (Fig. 11).
8. After the battery has charged for 24 hours, a long duration test can be performed by shutting power to the fixture.

Fig. 10



OPERATION

1. When AC power is applied, the charging indicator light is illuminated indicating that the **BATTERY** is being charged.
2. When power fails the standby power automatically switches to emergency power (*internal battery*) operating at reduced illumination. The emergency driver will operate in standby power for a minimum of 90 minutes.
3. When AC power is restored, the emergency driver automatically returns to charging mode.

MAINTENANCE

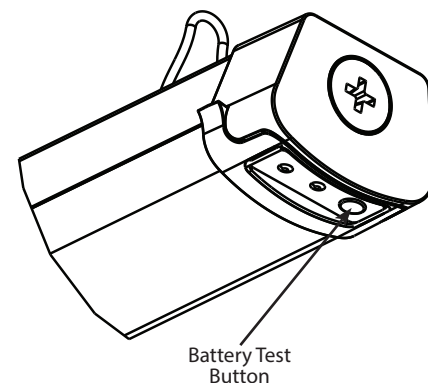
Although no routine maintenance is required to keep the emergency driver functional it should be checked periodically to ensure that it is working. The following schedule is recommended:

1. Visually inspect the charging indicator light monthly. It should be illuminated.
2. Test the emergency operation of the fixture at 30-day intervals for a minimum of 30 seconds.
3. Conduct a 90-minute discharge test once a year. Fixture would operate at reduced illumination for a minimum of 90 minutes.

TROUBLESHOOTING

1. Is the fixture grounded properly?
2. If the charging indicator light does not illuminate after pressing the **Test Button** (Fig. 11) check if battery is connected properly.

FIG. 11



© 2024 RAB LIGHTING Inc.
C-STRIP - IN - 0424
P-100948

Easy Answers

rablighting.com
Visit our website for product info

Tech Help Line
Call our experts: 888 722-1000

e-mail
Answered promptly - sales@rablighting.com

Free Lighting Layouts
Answered online or by request

RAB WARRANTY: RAB's warranty is subject to all terms and conditions found at rablighting.com/warranty.