



<b>Project:</b>	<b>Type:</b>
<b>Prepared By:</b>	<b>Date:</b>

Driver Info		LED Info	
Type	Constant Current, Class A	Watts	30/40/50W
120V	0.47A	Color Temp	2700/3000/3500/4000/5000K
208V	0.24A	Color Accuracy	90 CRI
240V	0.21A	L70 Lifespan	50,000 Hours
277V	0.19A	Lumens	5,000/4,000/3,000 lm
Input Watts	50/40/30W	Efficacy	100

**Technical Specifications**

**Performance**

**Product Type:**

Commercial Downlight

**Description:**

The CRXLED family is a high output and flexible commercial downlight system that covers a wide range of applications without the need for stocking multiple SKUs.

**Wattage Equivalency:**

125W CFL

**Input Wattage:**

30/40/50W

**Lumens:**

30W  
3,147lm @ 2700K; 3,281lm @ 3000K; 3,396lm @ 3500K; 3,444lm @ 4000K; 3,408lm @ 5000K

40W

4,083lm @ 2700K; 4,295lm @ 3000K; 4,480lm @ 3500K; 4,547lm @ 4000K; 4,440lm @ 5000K

50W

5,045lm @ 2700K; 5,357lm @ 3000K; 5,632lm @ 3500K; 5,720lm @ 4000K; 5,498lm @ 5000K

**Efficacy:**

30W  
106lm/W @ 2700K; 111lm/W @ 3000K; 117lm/W @ 3500K; 118lm/W @ 4000K; 115lm/W @ 5000K

40W

103lm/W @ 2700K; 108lm/W @ 3000K; 115lm/W @ 3500K; 116lm/W @ 4000K; 111lm/W @ 5000K

50W

102lm/W @ 2700K; 108lm/W @ 3000K; 116lm/W @ 3500K; 117lm/W @ 4000K; 110lm/W @ 5000K

**L70 Lifespan:**

50,000-Hour LED lifespan based on IES LM-70 results

**Electrical**

**Driver:**

Constant Current, Class A, 50/60 Hz, 120V-277V, 120V: 0.47A, 208V: 0.24A; 240V: 0.21A, 277V: 0.19A

**THD:**

≤20%

**Power Factor:**

≥0.9

**Dimmable:**

Yes, dimmable down to 10% on compatible 0-10V or TRIAC/ELV dimming systems. See Dimmer Compatibility List.

**Input Voltage:**

120-277V

**Operating Frequency:**

50/60Hz

**Input Current @ 120V (mA):**

470mA

**Input Current @ 208V (mA):**

244mA

**Input Current @ 240V (mA):**

212mA

**Input Current @ 277V (mA):**

185mA

**Operating Temperature:**

-4°F to 104°F (-20°C to 40°C)

**Flicker:**

≤30%

**LED Characteristics**

**Beam Angle:**

85°±10°

**Color Temperature:**

Field adjustable via dip switch  
2700/3000/3500/4000/5000K

## Technical Specifications (continued)

### Color Accuracy (CRI):

90 CRI

### R9 Value:

High color performance with R9 greater than 50

### Color Consistency:

<4-step (2700K & 5000K) MacAdam Ellipse binning to achieve consistent fixture-to-fixture color

### Color Stability:

LED color temperature is warrantied to shift no more than 200K in color temperature over a 5-year period

### Color Uniformity:

RAB's range of Correlated Color Temperature follows the guidelines of the American National Standard for Specifications for the Chromaticity of Solid State Lighting (SSL) Products, ANSI C78.377-2017.

## Installation

### Remote Driver/Junction Box:

Die formed metal driver / junction box with captive hinged junction box cover. Listed for Maximum of (4) 12AWG through branch circuit conductor suitable for 90°C permitted in box. Easy to wire in 2in/2out (plus ground) applications. (4) conduit pry-outs. (3) quick snap-in connectors for quick and reliable line voltage connections. Integral mounting facilitates direct mounting to building structure or mounting frame.

### Mounting:

Recessed

## Construction

### Size:

6"

### Shape:

Round

### Finish:

White

### Enclosure Material:

Metal

### Trim Style:

Smooth

### Lens Finish:

Frosted

### Lens:

Polycarbonate light diffuser distributes light evenly and smoothly for general lighting applications

### Air Tight:

Housing certified Air Tight as per ASTM E283

## Compliance

### Trade Agreements Act Compliant:

This product is a product of Cambodia and a "designated country" end product that complies with the Trade Agreements Act

### Listings:

UL Listed, UL Classified

### Environment:

Suitable for use indoors and outdoors in dry, damp, or wet environments.

### IC Rated:

No

### Energy Star Approved:

This product is ENERGY STAR® Version 1.0 Certified.

### DLC Listed:

No

### Certification Model Number:

DLC1012(CRX6)

### California Title 20 Compliant:

No

### California Title 24 JA8 Compliant:

Can be used to conform with the requirements of California Title 24 Part 6

### California Energy Commission (CEC) Status:

Lawful for Sales in California

### NSF Listed:

No

### NEC Compliant:

Suitable for use in closets. Compliant with NEC Sec. 410.16 (A)(1) and 410.16 (C3).

### IESNA LM-79 & LM-80 Testing:

RAB LED luminaires and LED components have been tested by an independent laboratory in accordance with IESNA LM-79 and LM-80.

### RoHS:

Mercury and UV free. RoHS-compliant components.

### FCC:

Complies with Part 15 of the FCC Rules

## Other

### Compatible Products:

DLPLATE/WFR6/NB/CL

6" Mounting plate with nailer bar and drywall collar

DRI-21-EMGR-DC-D10

Emergency driver T20

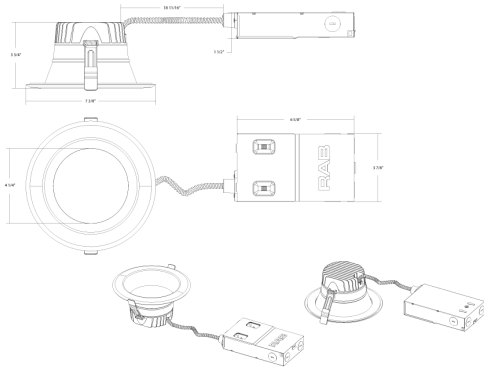
### Warranty:

RAB warrants that our LED products will be free from defects in materials and workmanship for a period of five (5) years from the date of delivery to the end user, including coverage of light output, color stability, driver performance and fixture finish. RAB's warranty is subject to all terms and conditions found at [rablighting.com/warranty](http://rablighting.com/warranty).

### Buy American Act Compliance:

RAB values USA manufacturing! Upon request, RAB may be able to manufacture this product to be compliant with the Buy American Act (BAA). Please contact customer service to request a quote for the product to be made BAA compliant.

**Dimensions**



**Features**

CCT Selectable and Lumen Adjustable switches for greater stocking convenience and control

Comes with a remote driver with built-in junction box and quick disconnect; Eliminates the need for a traditional, multi-piece fixture setup

Ideal for new construction, remodel, and retrofit applications

Interchangeable trims available in matte black, brushed nickel, and bronze

**Ordering Matrix**

Family	Size/Wattage	Shape	CRI/Color Temp	Driver	Finish	Trim
CRX	6					
	3 = 3", 15/12/9W 4 = 4", 20/16/12W 6 = 6", 50/40/30W 6 = 6", 55/44/33W 8 = 8", 80/65/50W	Blank = Round	Blank = 90 CRI, 2700/3000/3500/4000/5000K CCT Adjustable	Blank = 120-277V, 0-10V + TRIAC/ELV /D10 = 120-277V, 0-10V	Blank = White	Blank = Smooth