



Project:	Type:
Prepared By:	Date:

Driver Info		LED Info	
Type	Constant Current, Class A	Watts	9/12/15W
120V	0.14A	Color Temp	2700/3000/3500/4000/5000K
208V	0.07A	Color Accuracy	90 CRI
240V	0.06A	L70 Lifespan	50,000 Hours
277V	0.06A	Lumens	1,500/1,200/900 lm
Input Watts	15/12/9W	Efficacy	100

Technical Specifications

Performance

Product Type:

Commercial Downlight

Description:

The CRXLED family is a high output and flexible commercial downlight system that covers a wide range of applications without the need for stocking multiple SKUs.

Wattage Equivalency:

40W CFL

Input Wattage:

9/12/15W

Lumens:

9W
935lm @ 2700K; 956lm @ 3000K; 976lm @ 3500K; 993lm @ 4000K; 1,001lm @ 5000K

12W

1,253lm @ 2700K; 1,300lm @ 3000K; 1,347lm @ 3500K; 1,372lm @ 4000K; 1,373lm @ 5000K

15W

1,523lm @ 2700K; 1,587lm @ 3000K; 1,652lm @ 3500K; 1,685lm @ 4000K; 1,676lm @ 5000K

Efficacy:

9W
110lm/W @ 2700K; 113lm/W @ 3000K; 117lm/W @ 3500K; 119lm/W @ 4000K; 118lm/W @ 5000K

12W

108lm/W @ 2700K; 113lm/W @ 3000K; 119lm/W @ 3500K; 121lm/W @ 4000K; 118lm/W @ 5000K

15W

104lm/W @ 2700K; 109lm/W @ 3000K; 116lm/W @ 3500K; 119lm/W @ 4000K; 115lm/W @ 5000K

L70 Lifespan:

50,000-Hour LED lifespan based on IES LM-70 results

Electrical

Driver:

Constant Current, Class A, 50/60 Hz, 120V-277V, 120V: 0.14A, 208V: 0.07A; 240V: 0.06A, 277V: 0.06A

THD:

≤20%

Power Factor:

≥0.9

Dimmable:

Yes, dimmable down to 10% on compatible 0-10V or TRIAC/ELV dimming systems. See Dimmer Compatibility List.

Input Voltage:

120-277V

Operating Frequency:

50/60Hz

Input Current @ 120V (mA):

140mA

Input Current @ 208V (mA):

73mA

Input Current @ 240V (mA):

64mA

Input Current @ 277V (mA):

59mA

Operating Temperature:

-4°F to 104°F (-20°C to 40°C)

Flicker:

≤30%

LED Characteristics

Beam Angle:

85°±10°

Color Temperature:

Field adjustable via dip switch
2700/3000/3500/4000/5000K

Technical Specifications (continued)

Color Accuracy (CRI):

90 CRI

R9 Value:

High color performance with R9 greater than 50

Color Consistency:

<4-step (2700K & 5000K) MacAdam Ellipse binning to achieve consistent fixture-to-fixture color

Color Stability:

LED color temperature is warrantied to shift no more than 200K in color temperature over a 5-year period

Color Uniformity:

RAB's range of Correlated Color Temperature follows the guidelines of the American National Standard for Specifications for the Chromaticity of Solid State Lighting (SSL) Products, ANSI C78.377-2017.

Installation

Remote Driver/Junction Box:

Die formed metal driver / junction box with captive hinged junction box cover. Listed for Maximum of (4) 12AWG through branch circuit conductor suitable for 90°C permitted in box. Easy to wire in 2in/2out (plus ground) applications. (4) conduit pry-outs. (3) quick snap-in connectors for quick and reliable line voltage connections. Integral mounting facilitates direct mounting to building structure or mounting frame.

Mounting:

Recessed

Construction

Size:

3"

Shape:

Round

Finish:

White

Enclosure Material:

Metal

Trim Style:

Smooth

Lens Finish:

Frosted

Lens:

Polycarbonate light diffuser distributes light evenly and smoothly for general lighting applications

Air Tight:

Housing certified Air Tight as per ASTM E283

Compliance

Trade Agreements Act Compliant:

This product is a product of Cambodia and a "designated country" end product that complies with the Trade Agreements Act

Listings:

UL Listed, UL Classified

Environment:

Suitable for use indoors and outdoors in dry, damp, or wet environments.

IC Rated:

Suitable for direct contact with insulation. Type IC inherently protected, suitable for direct contact to air permeable insulation and cULus listed for damp locations. Not for use in direct contact with spray foam insulation, consult NEMA LSD57-2013.

Energy Star Approved:

This product is ENERGY STAR® Version 1.0 Certified.

DLC Listed:

No

Certification Model Number:

DLC1010(CRX3)

California Title 20 Compliant:

No

California Title 24 JA8 Compliant:

Can be used to conform with the requirements of California Title 24 Part 6

California Energy Commission (CEC) Status:

Lawful for Sales in California

NSF Listed:

No

NEC Compliant:

Suitable for use in closets. Compliant with NEC Sec. 410.16 (A)(1) and 410.16 (C3).

IESNA LM-79 & LM-80 Testing:

RAB LED luminaires and LED components have been tested by an independent laboratory in accordance with IESNA LM-79 and LM-80.

RoHS:

Mercury and UV free. RoHS-compliant components.

FCC:

Complies with Part 15 of the FCC Rules

Other

Compatible Products:

DRI-21-EMGR-DC-D10
Emergency driver T20

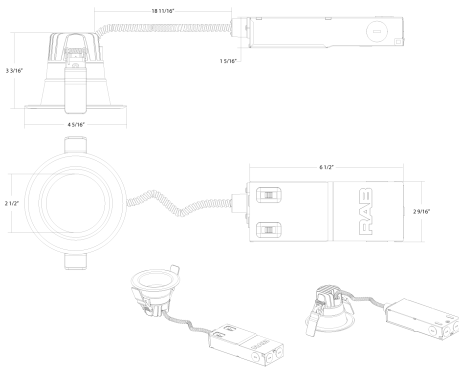
Warranty:

RAB warrants that our LED products will be free from defects in materials and workmanship for a period of five (5) years from the date of delivery to the end user, including coverage of light output, color stability, driver performance and fixture finish. RAB's warranty is subject to all terms and conditions found at rablighting.com/warranty.

Buy American Act Compliance:

RAB values USA manufacturing! Upon request, RAB may be able to manufacture this product to be compliant with the Buy American Act (BAA). Please contact customer service to request a quote for the product to be made BAA compliant.

Dimensions



Features

CCT Selectable and Lumen Adjustable switches for greater stocking convenience and control

Comes with a remote driver with built-in junction box and quick disconnect; Eliminates the need for a traditional, multi-piece fixture setup

Ideal for new construction, remodel, and retrofit applications

Interchangeable trims available in matte black, brushed nickel, and bronze

Ordering Matrix

Family	Size/Wattage	Shape	CRI/Color Temp	Driver	Finish	Trim
CRX	3					
	3 = 3", 15/12/9W 4 = 4", 20/16/12W 6 = 6", 50/40/30W 6 = 6", 55/44/33W 8 = 8", 80/65/50W	Blank = Round	Blank = 90 CRI, 2700/3000/3500/4000/5000K CCT Adjustable	Blank = 120-277V, 0-10V + TRIAC/ELV /D10 = 120-277V, 0-10V	Blank = White	Blank = Smooth