

INSTRUCTIONS

CRVFA Surface Mount Installation



RAB Lighting is committed to creating high-quality, affordable, well-designed and energy-efficient LED lighting and controls that make it easy for electricians to install and end users to save energy. We'd love to hear your comments. Please call the Marketing Department at 888-RAB-1000 or email: marketing@rablighting.com



CRVFAS-xxR/MVS/EM



CRVFAD-xxR/MVS/EM

IMPORTANT

READ CAREFULLY BEFORE INSTALLING FIXTURE. RETAIN THESE INSTRUCTIONS FOR FUTURE REFERENCE.

RAB fixture must be wired in accordance with the National Electrical Code and all applicable local codes. Proper grounding is required for safety. THIS PRODUCT MUST BE INSTALLED IN ACCORDANCE WITH THE APPLICABLE INSTALLATION CODE BY A PERSON FAMILIAR WITH THE CONSTRUCTION AND OPERATION OF THE PRODUCT AND THE HAZARDS INVOLVED.

TO PREVENT ELECTRICAL SHOCK, POWER SHOULD BE TURNED OFF AT THE FUSE BOX BEFORE INSTALLATION.

SAFETY WARNINGS:

Read all product labels and directions.

- **WARNING – Risk of fire or electric shock. Install this kit only in the luminaires that have the construction features and dimensions shown in the photographs and/or drawings and where the input rating of the retrofit kit does not exceed the input rating of the luminaire.**
- **Installation should be performed only by a qualified electrician in accordance with the National Electrical Code and relevant local codes. Do not make or alter any open holes in an enclosure of wiring or electrical components during kit installation.**
- **WARNING – To prevent wiring damage or abrasion, do not expose wiring to edges of sheet metal or other sharp objects.**
- **INSTALLATION SHOULD ONLY BE PERFORMED AFTER POWER TO THE FIXTURE HAS BEEN DISCONNECTED.**
- **These instructions shall be included on an information sheet packaged with each unit.**
- **This device complies with Part 15 of the FCC Rules. Operation is subject to the following two conditions:**
(1) **this device may not cause harmful interference, and (2) this device must accept any interference received, including interference that may cause undesired operation.**

This equipment has been tested and found to comply with the limits for a Class B digital device, pursuant to part 15 of the FCC Rules. These limits are designed to provide reasonable protection against harmful interference in a residential installation. This equipment generates, uses and can radiate radio frequency energy and, if not installed and used in accordance with the instructions, may cause harmful interference to radio communications. However, there is no guarantee that interference will not occur in a particular installation. If this equipment does cause harmful interference to radio or television reception, which can be determined by turning the equipment off and on, the user is encouraged to try to correct the interference by one or more of the following measures:

- Reorient or relocate the receiving antenna.
- Increase the separation between the equipment and receiver.
- Connect the equipment into an outlet on a circuit different from that to which the receiver is connected.
- Consult the dealer or an experienced radio/TV technician for help.

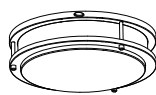
WHAT'S IN THE BOX

CRVFAS

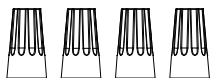


or

CRVFAD



Fixture (1)



Nuts (4)



Screws (2)

TOOLS NEEDED

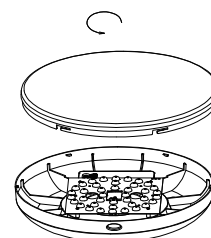
Installation with J-BOX

A screw driver is needed for installation

CRVFAS INSTALLATION WITH J-BOX

1. Make sure the POWER IS TURNED OFF at the source to the J-box in which you are installing the product.
2. Disassemble the surface mount cover applying slight pressure to the cover and turn counterclockwise until the lens becomes unlocked and remove the cover. (Fig. 1)

Fig: 1



INSTRUCTIONS

CRVFA Surface Mount Installation

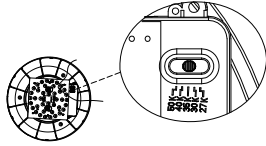


RAB Lighting is committed to creating high-quality, affordable, well-designed and energy-efficient LED lighting and controls that make it easy for electricians to install and end users to save energy. We'd love to hear your comments. Please call the Marketing Department at 888-RAB-1000 or email: marketing@rablighting.com

CRVFAS INSTALLATION WITH J-BOX (cont'd)

3. Select desired CCT. (Fig.2)

Fig: 2



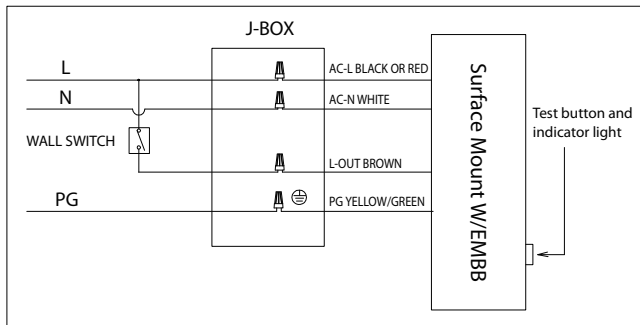
4. Insert screws into J-Box holes, leaving about 15mm of space between the screw heads and J-Box. (Fig.3)

Fig: 3



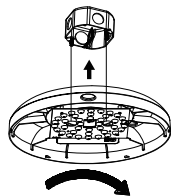
5. Wire the surface mount, white-white, black-black, brown connect to wall switch output wire. Ground wire connect J-box input ground wire. Once wire connections are made, secure each with a wire nut. (Fig.4)

Fig: 4



6. Lift fixture to ceiling and carefully tuck wires into J-Box. Align keyholes on surface mount with screws, then twist fixture until the screws engage the narrow end of the keyholes. Tighten screws to secure. (Fig.5)

Fig: 5



CRVFAS INSTALLATION WITH J-BOX (cont'd)

7. Reassemble the surface mount cover by aligning the notches until the cover is flush with the housing and turn the cover clockwise until it locks in place. (Fig. 6)
Caulk around the mounting surface edge with silicone sealant. (Fig.7)

Fig: 6

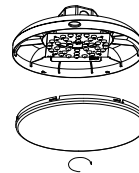
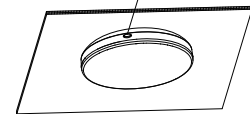


Fig: 7

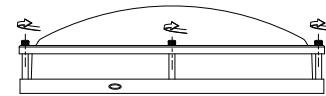
Test button and indicator light



CRVFAD INSTALLATION WITH J-BOX

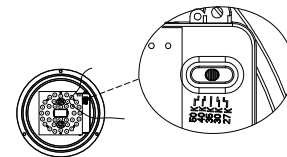
1. Make sure the POWER IS TURNED OFF at the source to the J-box in which you are installing the product.
2. Loosen screws counter clockwise and disassemble the surface mount cover. (Fig.8)

Fig: 8



3. Select desired CCT. (Fig.9)

Fig: 9



4. Insert screws into J-Box holes, leaving about 15mm of space between the screw heads and J-Box. (Fig.10)

Fig: 10



Note: These instructions do not cover all details or variations in equipment nor do they provide for every possible situation during installation, operation or maintenance.

INSTRUCTIONS

CRVFA Surface Mount Installation

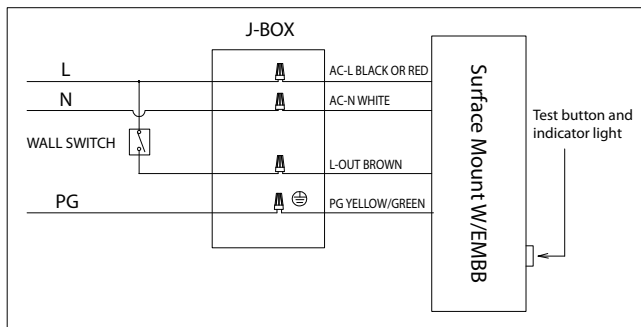


RAB Lighting is committed to creating high-quality, affordable, well-designed and energy-efficient LED lighting and controls that make it easy for electricians to install and end users to save energy. We'd love to hear your comments. Please call the Marketing Department at 888-RAB-1000 or email: marketing@rablighting.com

CRVFAD INSTALLATION WITH J-BOX (cont'd)

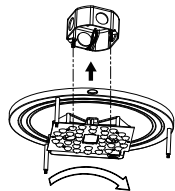
- Wire the surface mount, white-white, black-black, brown connect to wall switch output wire. Ground wire connect J-box input ground wire. Once wire connections are made, secure each with a wire nut. (Fig.11)

Fig: 11



- Lift fixture to ceiling and carefully tuck wires into J-Box. Align keyholes on surface mount with screws, then twist fixture until the screws engage the narrow end of the keyholes. Tighten screws to secure. (Fig.12)

Fig: 12



- Reassemble the surface mount cover. (Fig.13) Tighten screws clockwise. (Fig.14) Caulk around the mounting surface edge with silicone sealant. (Fig.15)

Fig: 13

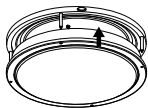


Fig: 14

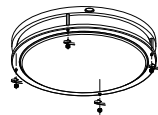
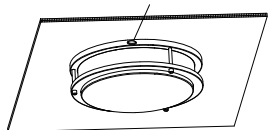


Fig: 15

Test button and indicator light



Emergency Application		
Wattage	Time	Initial Lumen
4w	90 minutes	320lm
8w	90 minutes	650lm

Wattage	SKU
4W	CRVFAS-11R/MVS/EM
8W	CRVFAD-12R/MVS/EM, CRVFAD-14R/MVS/EM CRVFAS-14R/MVS/EM, CRVFAD-18R/MVS/EM CRVFAS-19R/MVS/EM

Note:

- 4W: Charging: red light; Fully charged: red light; Discharge: light off; 8W: Charging: green flashing; Fully charged: green light; Discharge: red light;
- Press the test button, the fixture should operate at reduced lumen output. This means the emergency function is operating as normal.
- The emergency driver will be fully charged after 24 hours of continuous charging. In case of a power failure, the Surface Mount fixture will operate for 90 minutes on emergency battery power.
- When the Surface Mount is only powered by the emergency battery, press the test button twice continuously if need to turn it off. When the mains power is connected, it will automatically return to the normal mode.

TESTING PROCEDURES

- Press the test button to cut the power to the AC driver and switch the system to emergency mode.
- Release the test button to return to normal mode.
- Switch off the circuit breaker to simulate a full power outage.

Monthly

- Ensure that the test button light is illuminated.
- Conduct a 30-second discharge test by depressing the test button.
- The LED load should operate at reduced output.

Annually

- Allow a 24-hour charge before conducting test.
 - Ensure that the test button light is illuminated.
 - Conduct a full 90-minute discharge test.
 - The unit should operate as intended for the duration of the test.
- "Written records of the testing shall be kept by the owner for inspection by the authority having jurisdiction."

SERVICING SHOULD BE PERFORMED BY QUALIFIED PERSONNEL.

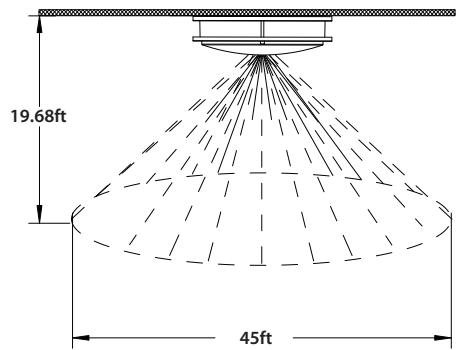
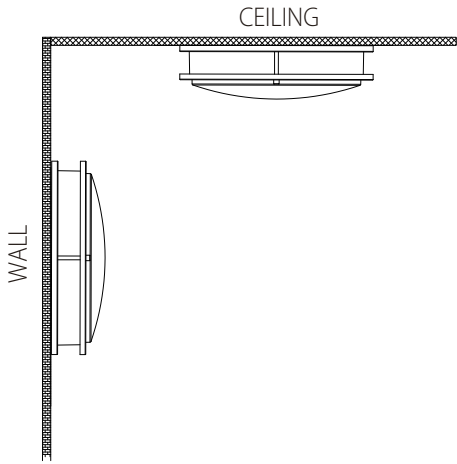
INSTRUCTIONS

CRVFA Surface Mount Installation

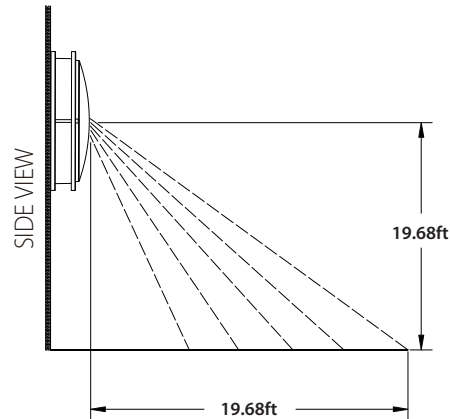


RAB Lighting is committed to creating high-quality, affordable, well-designed and energy-efficient LED lighting and controls that make it easy for electricians to install and end users to save energy. We'd love to hear your comments. Please call the Marketing Department at 888-RAB-1000 or email: marketing@rablighting.com

SENSOR DETECTION RANGE



Ceiling Mount



Wall Mount

MICROWAVE OCCUPANCY SENSOR

The occupancy sensor default sensing will be automatically controlling the fixture to turn on or off. See factory settings below, optional remote sold separately for custom settings, Catalog Number: MSR1.

Factory Settings:

- Brightness: 100%
- Hold Time: 10minutes
- Sensitivity: 100%
- Stand-by time: $+\infty$
- Stand-by brightness: 50%

To disable the sensor, use the MSR1 remote (sold separately). Power on the fixture and press the Red power button twice to disable the sensor.



Easy Answers

rablighting.com
Visit our website for product info

Tech Help Line
Call our experts: 888 722-1000

e-mail
Answered promptly - sales@rablighting.com

Free Lighting Layouts
Answered online or by request