



Color: Brushed nickel

Weight: 0.0 lbs

Project:	Type:
Prepared By:	Date:

Driver Info		LED Info	
Type	Constant Current	Watts	16W
120V	0.15A	Color Temp	2700K/3000K/3500K/4000K/5000K
208V	0.09A	Color Accuracy	90 CRI
240V	0.07A	L70 Lifespan	50,000 Hours
277V	0.06A	Lumens	1,120 lm
Input Watts	16W	Efficacy	76

Technical Specifications

Performance

Description:

5CCT selectable, low maintenance, standard back-lit LED retrofit fixture installs on standard junction boxes. Integrated emergency battery back up.

Product Type:

Surface & Flush Mounts

Input Wattage:

16W

Efficacy:

70lm/W

L70 Lifespan:

50,000-Hour LED lifespan based on IES LM-70 results

Compliance

UL Listed:

Suitable for wet locations

Electrical

Power Factor:

0.9

Operating Frequency:

50/60Hz

Construction

Material:

Metal and Plastic

Trim Style:

Smooth Trim

Shape:

Round

Mounting:

Surface mount

Operating Temperature Range:

-20°C - 40°C (-4°F - 104°F)

Other

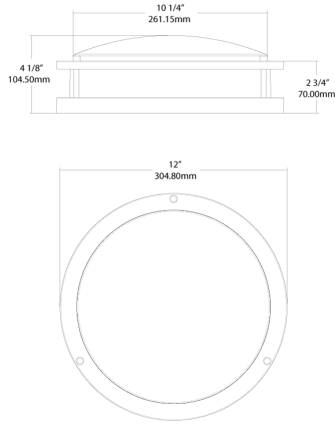
Warranty:

RAB warrants that our LED products will be free from defects in materials and workmanship for a period of five (5) years from the date of delivery to the end user, including coverage of light output, color stability, driver performance and fixture finish. RAB's warranty is subject to all terms and conditions found at rablighting.com/warranty.

Buy American Act Compliance:

RAB values USA manufacturing! Upon request, RAB may be able to manufacture this product to be compliant with the Buy American Act (BAA). Please contact customer service to request a quote for the product to be made BAA compliant.

Dimensions



Features

- Surface Mount to ceiling or wall
- Field adjustable "set and forget" color temperature
- Diffused lens provides soft, smooth light
- Ideal for hospitality and multi-family residential applications
- Suitable for wet and damp locations
- 50,000-Hour lifespan

Ordering Matrix

Family	Type	Size	Shape	Wattage	CRI/Color Temp	Voltage	Dimming	Finish	Sensor	Options					
CRVFA	D	-	12	R	-	16	-	9CCT	-	UNV	T	-	BN	-	/EM
	S = Smooth D = Decorative	11 = 11" 12 = 12" 14 = 14" 18 = 18" 19 = 19"	R = Round	16 = 16W 20 = 20W 32 = 32W	9CCT = 90 CRI, CCT Selectable	120 = 120V UNV = 120-277V	Blank = 0-10V Dimming T = Triac Dimming	W = White BN = Brushed Nickel	Blank = No Sensor /MVS = Microwave Occupancy Sensor	Blank = No Option /EM = Battery Backup /EMBB = Battery Backup					