



Project:	Type:
Prepared By:	Date:

Driver Info		LED Info	
Type	Constant Current, Class A	Watts	30/24/16W
120V	0.28A	Color Temp	2700/3000/3500/4000/5000K
208V	N/A	Color Accuracy	90 CRI
240V	N/A	L70 Lifespan	50,000 Hours
277V	0.13A	Lumens	3,400/2,700/1,800 lm
Input Watts	30/24/16W	Efficacy	127.2/131.9/136.1 lm/W

Technical Specifications

Performance

Product Type:
Commercial Downlight

Description:
The CR commercial downlight offers best-in-class flexibility by adding universal dimming, which allows for both TRIAC & 0-10V dimming, making it a great choice for residential & commercial installations.

Wattage Equivalency:
75W CFL

Input Wattage:
30/24/16W

Lumens:
16W
1,873lm @ 2700K; 1,934lm @ 3000K; 1,990lm @ 3500K; 2,021lm @ 4000K; 2,054lm @ 5000K

24W
2,788lm @ 2700K; 2,879lm @ 3000K; 2,973lm @ 3500K; 3,022lm @ 4000K; 3,032lm @ 5000K

30W
3,537lm @ 2700K; 3,668lm @ 3000K; 3,806lm @ 3500K; 3,872lm @ 4000K; 3,854lm @ 5000K

Efficacy:
16W
122lm/W @ 2700K; 125lm/W @ 3000K; 129lm/W @ 3500K; 131lm/W @ 4000K; 132lm/W @ 5000K

24W
121lm/W @ 2700K; 124lm/W @ 3000K; 129lm/W @ 3500K; 131lm/W @ 4000K; 131lm/W @ 5000K

30W
123lm/W @ 2700K; 126lm/W @ 3000K; 134lm/W @ 3500K; 135lm/W @ 4000K; 133lm/W @ 5000K

L70 Lifespan:
50,000-Hour LED lifespan based on IES LM-70 results

Electrical
Driver:
Constant Current, Class A, 50/60 Hz, 120V-277V, 120V: 0.28A, 277V: 0.13A

THD:
≤20%

Power Factor:
≥0.9

Dimmable:
Yes, dimmable down to 10% on compatible TRIAC/ELV and 0-10V dimming systems. See Dimmer Compatibility List.

Input Voltage:
120-277V

Operating Frequency:
50/60Hz

Input Current @ 120V (mA):
280mA

Input Current @ 277V (mA):
125mA

Operating Temperature:
-4°F to 104°F (-20°C to 40°C)

Flicker:
≤30%

LED Characteristics

Beam Angle:
85°±10°

Color Temperature:
Field adjustable via dip switch
2700/3000/3500/4000/5000K

Color Accuracy (CRI):
90 CRI

R9 Value:
High color performance with R9 greater than 50

Technical Specifications (continued)

Color Consistency:

<4-step MacAdam Ellipse binning to achieve consistent fixture-to-fixture color

Color Stability:

LED color temperature is warrantied to shift no more than 200K in color temperature over a 5-year period

Color Uniformity:

RAB's range of Correlated Color Temperature follows the guidelines of the American National Standard for Specifications for the Chromaticity of Solid State Lighting (SSL) Products, ANSI C78.377-2017.

Installation

Mounting:

Recessed

Construction

Size:

8"

Shape:

Round

Finish:

White

Enclosure Material:

Metal

Trim Style:

Smooth

Lens Finish:

Frosted

Lens:

Polycarbonate light diffuser distributes light evenly and smoothly for general lighting applications

Compliance

Trade Agreements Act Compliant:

This product is a product of Cambodia and a "designated country" end product that complies with the Trade Agreements Act

Listings:

UL Listed, UL Classified

Environment:

Suitable for use indoors and outdoors in dry, damp, or wet environments.

IC Rated:

Suitable for direct contact with insulation. Type IC inherently protected, suitable for direct contact to air permeable insulation and cULus listed for damp locations. Not for use in direct contact with spray foam insulation, consult NEMA LSD57-2013.

Air Tight:

Housing certified Air Tight as per ASTM E283

Energy Star Approved:

This product is ENERGY STAR® Version 1.0 Certified.

Energy Star ID:

3554276

DLC Listed:

No

Certification Model Number:

DLC1008(CR8)

California Title 20 Compliant:

No

California Title 24 JA8 Compliant:

Can be used to conform with the requirements of California Title 24 Part 6

California Energy Commission (CEC) Status:

Lawful for Sales in California

NEC Compliant:

Suitable for use in closets. Compliant with NEC Sec. 410.16 (A)(1) and 410.16 (C3).

IESNA LM-79 & LM-80 Testing:

RAB LED luminaires and LED components have been tested by an independent laboratory in accordance with IESNA LM-79 and LM-80.

RoHS:

Mercury and UV free. RoHS-compliant components.

FCC:

Complies with Part 15 of the FCC Rules

Other

Compatible Products:

DRI-21-EMGR-DC-D10
Emergency driver T20

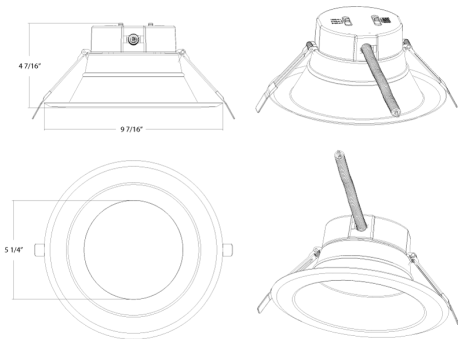
Warranty:

RAB warrants that our LED products will be free from defects in materials and workmanship for a period of five (5) years from the date of delivery to the end user, including coverage of light output, color stability, driver performance and fixture finish. RAB's warranty is subject to all terms and conditions found at rablighting.com/warranty.

Buy American Act Compliance:

RAB values USA manufacturing! Upon request, RAB may be able to manufacture this product to be compliant with the Buy American Act (BAA). Please contact customer service to request a quote for the product to be made BAA compliant.

Dimensions



Features

- Universal dimming technology allows for both 120V TRIAC/ELV dimming and 0-10V dimming in 1 SKU for incredible design flexibility
- 3 selectable brightness levels & 5 selectable CCTs (2700/3000/3500/4000/5000K)
- Suitable for new construction & remodel installations
- Deep regress lens for optimal glare control
- Multiple accessories available, including color trims and new construction mounting plates

Ordering Matrix

Family	Size/Wattage	Shape	CRI/Color Temp	Driver	Finish	Trim
CR	8					
	4 = 4", 10/8/6W 6 = 6", 21/17/10W 8 = 8", 30/24/16W 10 = 10", 37/30/24W	Blank = Round	Blank = 90 CRI, 2700/3000/3500/4000/5000K CCT Adjustable	Blank = 120-277V, 0-10V + TRIAC/ELV	Blank = White	Blank = Smooth