



LED ceiling light with precision optics deliver smooth and uniform distribution. Ideal for retail settings, workspace lighting and other applications requiring a high output commercial grade downlight.

Color: White

Weight: 23.0 lbs

<b>Project:</b>	<b>Type:</b>
<b>Prepared By:</b>	<b>Date:</b>

Driver Info		LED Info	
Type	Constant Current	Watts	78W
120V	0.78A	Color Temp	5000K (Cool)
208V	0.51A	Color Accuracy	73 CRI
240V	0.45A	L70 Lifespan	100,000 Hours
277V	0.39A	Lumens	5,130 lm
Input Watts	59.8W	Efficacy	85.8 lm/W

### Technical Specifications

#### Other

##### CLED78 with Bi-Level Operation:

Allows 33%-66%-100% output modes

##### Patents:

The design of CLED78 is protected by patents pending in US, Canada, China, Taiwan and Mexico

##### Warranty:

RAB warrants that our LED products will be free from defects in materials and workmanship for a period of five (5) years from the date of delivery to the end user, including coverage of light output, color stability, driver performance and fixture finish. RAB's warranty is subject to all terms and conditions found at [rablighting.com/warranty](http://rablighting.com/warranty).

##### Buy American Act Compliance:

RAB values USA manufacturing! Upon request, RAB may be able to manufacture this product to be compliant with the Buy American Act (BAA). Please contact customer service to request a quote for the product to be made BAA compliant.

##### Compliance

##### UL Listed:

Suitable for Wet Locations. Covered Ceiling Mount Only.

##### IESNA LM-79 & lm-80 Testing:

RAB LED luminaires and LED components have been tested by an independent laboratory in accordance with IESNA lm-79 and lm-80

##### Performance

##### Lifespan:

100,000-Hour LED lifespan based on IES LM-80 results and TM-21 calculations

##### LED Characteristics

##### LEDs:

6x13W high-output, long-life LEDs

##### Color Consistency:

7-step MacAdam Ellipse binning to achieve consistent fixture-to-fixture color

##### Color Stability:

LED color temperature is warranted to shift no more than 200K in color temperature over a 5-year period

##### Color Uniformity:

RAB's range of Correlated Color Temperature follows the guidelines of the American National Standard for Specifications for the Chromaticity of Solid State Lighting (SSL) Products, ANSI C78.377-2017.

##### Construction

##### Maximum Ambient Temperature:

Suitable for use in up to 40°C (104°F)

##### Cold Weather Starting:

The minimum starting temperature is -40°C (-40°F)

##### Thermal Management:

Optimized using computational fluid dynamics software to ensure long LED and driver lifespan

##### Housing:

Precision die-cast aluminum housing, lens frame

##### Lens:

Clear tempered glass lens

##### Back Box:

The ceiling backbox is perfect for adding sensors or making splices to the CLED™ family of products. Surface mounts over any shape box and covers unsightly stains or gaps. Five (1/2") conduit entries enable wiring directly from the back or through the sides using surface conduit.

##### Gaskets:

High-temperature silicone

##### Finish:

Formulated for high durability and long-lasting color

**Technical Specifications (continued)**

**Green Technology:**

Mercury and UV free. RoHS-compliant components.

**Optical**

**BUG Rating:**

B2 U1 G1

**Photometrics:**

IES file is available for 33% light level for Bi-Levels by contacting the RAB Lighting Design department

**Electrical**

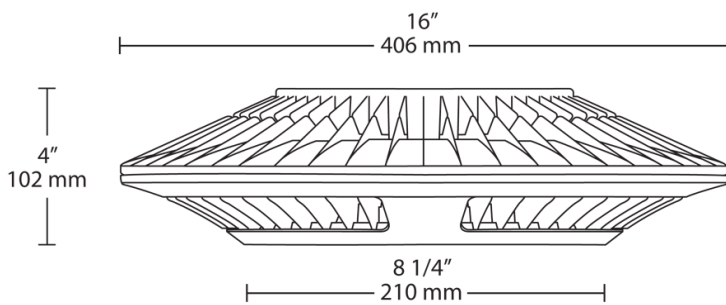
**Drivers:**

3x26W Driver, Constant Current, Class 2, 100V-277V, 50/60 Hz, 6kv Surge Protection, 720mA, 100-277VAC 0.4 Amps., Power Factor 99.1%.

**THD:**

8.0% at 120V, 10.5% at 277V

**Dimensions**



**Features**

- High output ceiling light
- Precision optics deliver uniform light distribution
- 100,000-hour LED lifespan
- 5-Year, No-Compromise Warranty