



LED ceiling light with precision optics deliver smooth and uniform distribution. Ideal for retail settings, workspace lighting and other applications requiring a high output commercial grade downlight.

Color: White

Weight: 23.0 lbs

Project:	Type:
Prepared By:	Date:

Driver Info		LED Info	
Type	Constant Current	Watts	52W
120V	0.53A	Color Temp	4000K (Neutral)
208V	0.35A	Color Accuracy	73 CRI
240V	0.30A	L70 Lifespan	100,000 Hours
277V	0.26A	Lumens	2,252 lm
Input Watts	29.8W	Efficacy	75.6 lm/W

Technical Specifications

Other

Bi-Level Operation:

Allows 50% and 100% output modes

Patents:

The design of CLED52 is protected by patents pending in US, Canada, China, Taiwan and Mexico

Warranty:

RAB warrants that our LED products will be free from defects in materials and workmanship for a period of five (5) years from the date of delivery to the end user, including coverage of light output, color stability, driver performance and fixture finish. RAB's warranty is subject to all terms and conditions found at rablighting.com/warranty.

Buy American Act Compliance:

RAB values USA manufacturing! Upon request, RAB may be able to manufacture this product to be compliant with the Buy American Act (BAA). Please contact customer service to request a quote for the product to be made BAA compliant.

Compliance

UL Listed:

Suitable for wet locations. Covered Ceiling Mount Only. Fixtures can be wired with 90°C supply wiring if supply wires are routed 3" away from ballast.

IESNA LM-79 & lm-80 Testing:

RAB LED luminaires and LED components have been tested by an independent laboratory in accordance with IESNA lm-79 and lm-80

Performance

Lifespan:

100,000-Hour LED lifespan based on IES LM-80 results and TM-21 calculations

LED Characteristics

LEDs:

4x13W high-output, long-life LEDs

Color Consistency:

3-step MacAdam Ellipse binning to achieve consistent fixture-to-fixture color

Color Stability:

LED color temperature is warranted to shift no more than 200K in color temperature over a 5-year period

Color Uniformity:

RAB's range of Correlated Color Temperature follows the guidelines of the American National Standard for Specifications for the Chromaticity of Solid State Lighting (SSL) Products, ANSI C78.377-2017.

Construction

Maximum Ambient Temperature:

Suitable for use in up to 40°C (104°F)

Cold Weather Starting:

The minimum starting temperature is -40°C (-40°F)

Thermal Management:

Optimized using computational fluid dynamics software to ensure long LED and driver lifespan

Housing:

Precision die-cast aluminum housing, lens frame

Lens:

Clear tempered glass lens

Back Box:

The ceiling backbox is perfect for adding sensors or making splices to the CLED™ family of products. Surface mounts over any shape box and covers unsightly stains or gaps. Five (1/2") conduit entries enable wiring directly from the back or through the sides using surface conduit.

Gaskets:

High-temperature silicone

Finish:

Formulated for high durability and long-lasting color

Technical Specifications (continued)

Green Technology:

Mercury and UV free. RoHS-compliant components.

Optical

BUG Rating:

B1 U1 G1

Electrical

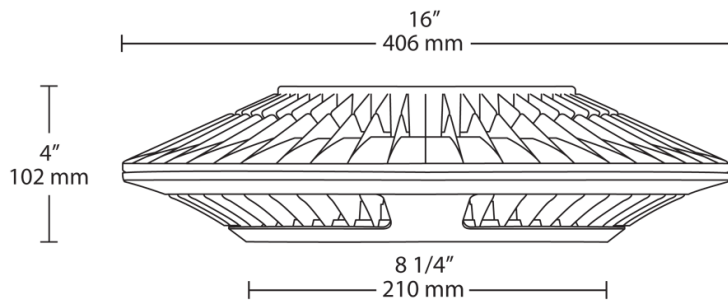
Drivers:

2x26W Driver, Constant Current, Class 2, 100V-277V,
50/60 Hz, 6kv Surge Protection, 720mA, 100-277VAC
0.4 Amps., Power Factor 99%.

THD:

7.5% at 120V, 10.3% at 277V

Dimensions



Features

- High output ceiling light
- Precision optics deliver uniform light distribution
- 100,000-hour LED lifespan
- 5-Year, No-Compromise Warranty