

26 Watts of energy efficient ceiling mounted LED lighting. 100,000-hour LED lifespan. 5-year, no-compromise warranty. Flush mount fixture bracket. LED Light Engine included.

Color: White

Weight: 6.6 lbs

<b>Project:</b>	<b>Type:</b>
<b>Prepared By:</b>	<b>Date:</b>

Driver Info		LED Info	
Type	Constant Current	Watts	26W
120V	0.26A	Color Temp	4000K (Neutral)
208V	0.17A	Color Accuracy	86 CRI
240V	0.14A	L70 Lifespan	100,000 Hours
277V	0.13A	Lumens	3,112 lm
Input Watts	30.2W	Efficacy	103 lm/W

## Technical Specifications

### Compliance

#### UL Listed:

Suitable for wet locations

#### IESNA LM-79 & lm-80 Testing:

RAB LED luminaires and LED components have been tested by an independent laboratory in accordance with IESNA lm-79 and lm-80

### Performance

#### Lifespan:

100,000-Hour LED lifespan based on IES LM-80 results and TM-21 calculations

#### Wattage Equivalency:

Equivalent to 42W CFL or 70W Metal Halide

### LED Characteristics

#### Lumen Maintenance:

The LED will deliver 70% of its initial lumens at 100,000 hours of operation

#### Color Consistency:

3-step MacAdam Ellipse binning to achieve consistent fixture-to-fixture color

#### Color Stability:

LED color temperature is warrantied to shift no more than 200K in color temperature over a 5-year period

#### Color Uniformity:

RAB's range of Correlated Color Temperature follows the guidelines of the American National Standard for Specifications for the Chromaticity of Solid State Lighting (SSL) Products, ANSI C78.377-2017.

### Construction

#### Housing:

Precision die-cast aluminum housing, lens frame

#### Finish:

Formulated for high durability and long-lasting color

#### Green Technology:

Mercury and UV free. RoHS-compliant components.

#### Mounting Accessory:

Surface mounting box [available here](#).

#### Cold Weather Starting:

The minimum starting temperature is -40°C (-40°F)

#### Maximum Ambient Temperature:

Suitable for use in up to 40°C (104°F)

### Other

#### Patents:

The design of the CLED is protected by U.S. Pat. D608,040, D615,689, Canada Patent 821412 and patents pending in China, Taiwan and Mexico.

#### Warranty:

RAB warrants that our LED products will be free from defects in materials and workmanship for a period of five (5) years from the date of delivery to the end user, including coverage of light output, color stability, driver performance and fixture finish. RAB's warranty is subject to all terms and conditions found at [rablighting.com/warranty](http://rablighting.com/warranty).

#### Buy American Act Compliance:

RAB values USA manufacturing! Upon request, RAB may be able to manufacture this product to be compliant with the Buy American Act (BAA). Please contact customer service to request a quote for the product to be made BAA compliant.

### Electrical

#### Driver:

Multi-chip 13W high output long life LED Driver Constant Current, Class 2 100V - 277V, 50/60 Hz

#### Surge Protection:

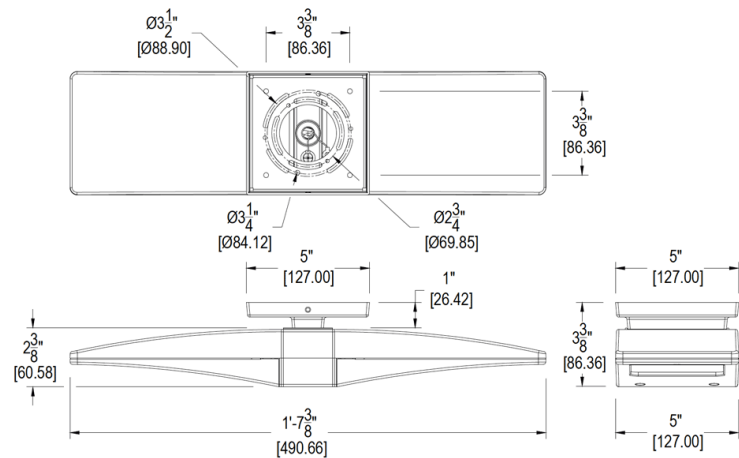
4kV

## Technical Specifications (continued)

### Optical

**BUG Rating:**  
B1 U0 G0

### Dimensions



### Features

- Flush mount fixture bracket
- Die cast aluminum lens frame with tempered glass and double gasketing
- Fully Shielded, Full Cutoff Optics
- LED Light Engine life delivers 70% of rated lumens at 100,000-hours
- Great for parking garages, canopies, stairwells and entrance ways
- LM-70 and LM-80 tested
- 5-Year, No-Compromise Warranty