



Cylinders are a complete design solution. They are available in various sizes, mounting options, colors and beam angles, and suitable for indoor/outdoor use.

Color: Matte black

Weight: 6.0 lbs

<b>Project:</b>	<b>Type:</b>
<b>Prepared By:</b>	<b>Date:</b>

Driver Info		LED Info	
Type	Constant Current	Watts	26W
120V	0.24A	Color Temp	2700K (Residential Warm)
208V	0.14A	Color Accuracy	90 CRI
240V	0.12A	R9	50
277V	0.12A	L70 Lifespan	50,000 Hours
Input Watts	27.8W	Lumens	2,127 lm
		Efficacy	76.5 lm/W

## Technical Specifications

### Compliance

**UL Listed:**

Suitable for wet locations

**IESNA LM-79 & lm-80 Testing:**

RAB LED luminaires and LED components have been tested by an independent laboratory in accordance with IESNA lm-79 and lm-80

### Electrical

**Driver:**

Constant Current, Class 2, 120-277V, 50/60 Hz, 120V: 0.24A, 208V: 0.14A, 240V: 0.12A, 277V: 0.12A

**Dimming Driver:**

0 - 10V (at 120-277V), TRIAC and ELV (at 120V only)

**THD:**

13% at 120V, 18.2% at 277V

**Power Factor:**

98.5% at 120V, 90.9% at 277V

### Optical

**Optics:**

50°

### Performance

**Lifespan:**

50,000-Hour LED lifespan based on IES LM-80 results and TM-21 calculations

### LED Characteristics

**LEDs:**

Long-life, high-efficacy, surface-mount LEDs

**Color Stability:**

LED color temperature is warranted to shift no more than 200K in color temperature over a 5-year period

### Construction

**Cold Weather Starting:**

The minimum starting temperature is -30°C (-22°F)

**Maximum Ambient Temperature:**

Suitable for use in up to 40°C (104°F)

**Lens:**

Solite Glass Lens and Microprismatic Diffusion Lens

**Reflector:**

Vacuum-metallized polycarbonate

**Housing:**

Extruded aluminum

### Mounting:

Wall direct/indirect light

**Gaskets:**

High-temperature silicone

**Green Technology:**

Mercury and UV free. RoHS-compliant components.

**Finish:**

Formulated for high durability and long-lasting color

### Other

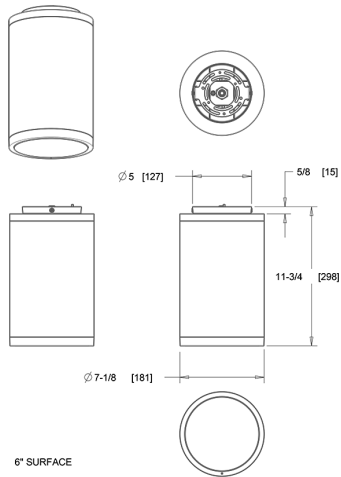
**Warranty:**

RAB warrants that our LED products will be free from defects in materials and workmanship for a period of five (5) years from the date of delivery to the end user, including coverage of light output, color stability, driver performance and fixture finish. RAB's warranty is subject to all terms and conditions found at [rablighting.com/warranty](http://rablighting.com/warranty).

**Buy American Act Compliance:**

RAB values USA manufacturing! Upon request, RAB may be able to manufacture this product to be compliant with the Buy American Act (BAA). Please contact customer service to request a quote for the product to be made BAA compliant.

**Dimensions**



**Features**

- Sleek, contemporary, architectural-grade design
- Universal dimming driver (TRIAC, ELV and 0-10V)
- 50,000-Hour LED lifespan

**Ordering Matrix**

Family	Size	Mounting	Wattage	Optic	CRI/Color Temp	Finish			
CDLED	6	S	-	26W	-	50D	927	-	K
	2 = 2"	<b>WD</b> = Wall Direct (Downlight) Only	<b>10W</b> = 10W	<b>20D</b> = 20°	<b>927</b> = 90 CRI, 2700K	<b>W</b> = Matte White			
	4 = 4"	<b>WU</b> = Wall Indirect (Uplight) Only	<b>20W</b> = 20W	<b>30D</b> = 30°	<b>930</b> = 90 CRI, 3000K	<b>K</b> = Matte Black			
	6 = 6"	<b>W</b> = Wall Direct/Indirect (Downlight/Uplight)	<b>26W</b> = 26W	<b>40D</b> = 40°	<b>935</b> = 90 CRI, 3500K	<b>S</b> = Matte Silver			
		<b>S</b> = Surface (Ceiling Mount)	<b>40W</b> = 40W	<b>50D</b> = 50°	<b>940</b> = 90 CRI, 4000K	<b>Z</b> = Bronze			
		<b>PC</b> = Pendant Cord 48" Standard		<b>80D</b> = 80°	<b>950</b> = 90 CRI, 5000K				
		<b>PS</b> = Pendant Stem		<b>WW</b> = Wall Wash					