

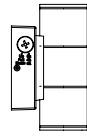
# INSTRUCTIONS

## CYLINDER INSTALLATION

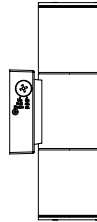


RAB Lighting is committed to creating high-quality, affordable, well-designed and energy-efficient LED lighting and controls that make it easy for electricians to install and end users to save energy. We'd love to hear your comments. Please call the Marketing Department at 888-RAB-1000 or email: [marketing@rablighting.com](mailto:marketing@rablighting.com)

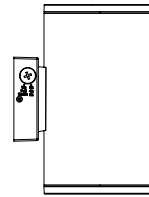
### Wall Mount



CD34FA3W-10-508-XX



CD34FA4W-20-508-XX

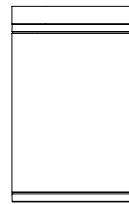


CD34FA6W-36-708-XX

### Ceiling Mount



CD34FA4SP-20-509-XX



CD34FA6SP-30-709-XX

## IMPORTANT

### READ CAREFULLY BEFORE INSTALLING FIXTURE. RETAIN THESE INSTRUCTIONS FOR FUTURE REFERENCE.

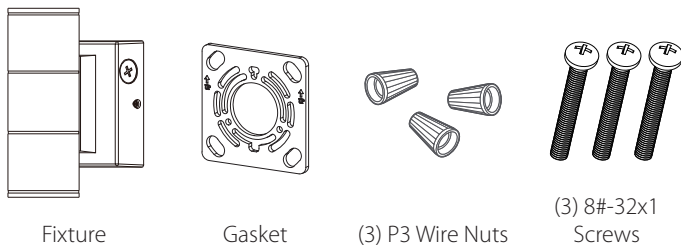
RAB fixtures must be wired in accordance with the National Electrical Code and all applicable local codes. Proper grounding is required for safety. THIS PRODUCT MUST BE INSTALLED IN ACCORDANCE WITH THE APPLICABLE INSTALLATION CODE BY A PERSON FAMILIAR WITH THE CONSTRUCTION AND OPERATION OF THE PRODUCT AND THE HAZARDS INVOLVED.

#### WARNING:

- Make certain power is OFF before installing or maintaining fixture. No user serviceable parts inside.
- Fixture is suitable for wet location.
- Fixture must be mounted a minimum of 4 feet above ground level.

## WALL MOUNT WHAT'S IN THE BOX

Important: For wet locations, Gasket must be used.



Fixture

Gasket

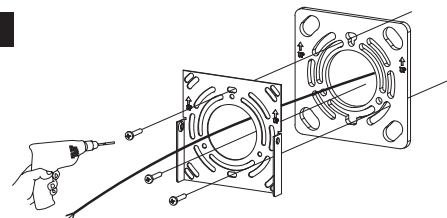
(3) P3 Wire Nuts

(3) 8#-32x1 Screws

## WALL MOUNT INSTALLATION (cont'd)

2. Stick **Gasket** and fix **Junction Box Adaptor Plate** with (3) **8#-32x1 Screws** on the wall. (Fig. 2)  
(Warning: The mark "UP" direction must be installed upside.)

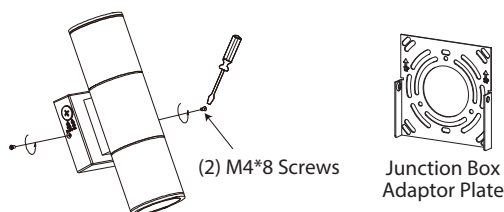
Fig: 2



## WALL MOUNT INSTALLATION

1. Remove (2) **M4\*8 Screws** on two sides and separate **Junction Box Adaptor Plate** from the **Fixture**. (Fig. 1)

Fig: 1

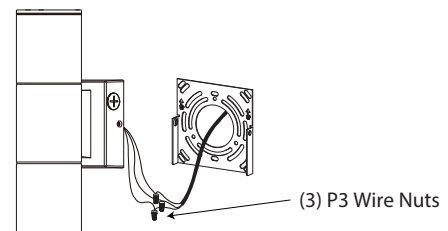


(2) M4\*8 Screws

Junction Box Adaptor Plate

3. Connect the wires with (3) **P3 Wire Nuts** according to **Wiring Diagram**. (Fig. 3) (Fig. 31)

Fig: 3



(3) P3 Wire Nuts

# INSTRUCTIONS

## CYLINDER INSTALLATION

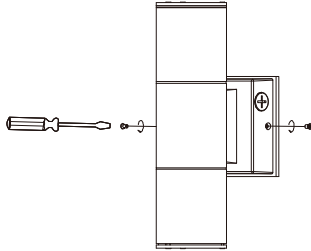


RAB Lighting is committed to creating high-quality, affordable, well-designed and energy-efficient LED lighting and controls that make it easy for electricians to install and end users to save energy. We'd love to hear your comments. Please call the Marketing Department at 888-RAB-1000 or email: marketing@rablighting.com

### WALL MOUNT INSTALLATION (cont'd)

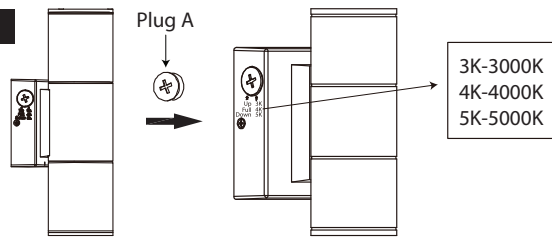
4. Mount back the **Fixture** on **Junction Box Adaptor Plate** with (2) **M4\*8 Screws** tightly. (Fig. 4)

Fig: 4



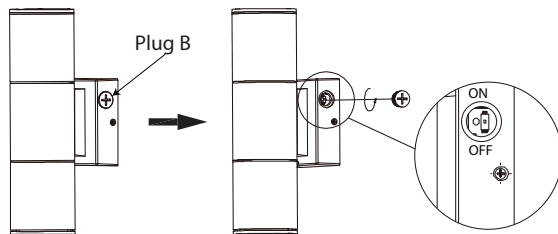
5. Unscrew **Plug A** to adjust the output distribution selectable and CCT (Default: Output distribution selectable-Full; CCT-3000K). When set down, screw back **Plug A**. (Fig. 5)

Fig: 5



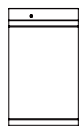
6. Unscrew **Plug B** to turn ON/OFF Photocell (Default: Photocell-OFF). When set down, screw back **Plug B**. (Fig. 6)

Fig: 6

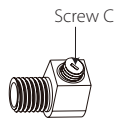


### CEILING MOUNT WHAT'S IN THE BOX

Important: For wet locations, caulk the seam between the fixture and ceiling.



Fixture



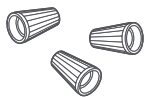
Cord Clamp with Screw C



Thread Lock



(3) 8#-32x1 Screws



(3) P3 Wire Nuts

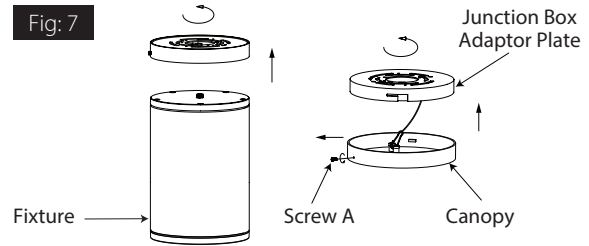


(2) P2 Wire Nuts

### CEILING MOUNT INSTALLATION

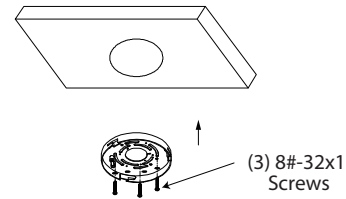
1. Unscrew **Junction Box Adaptor Plate** and **Canopy** off the **Fixture** counterclockwise. Remove **Screw A** from **Canopy** and separate **Junction Box Adaptor Plate** and **Canopy**. (Fig. 7)

Fig: 7



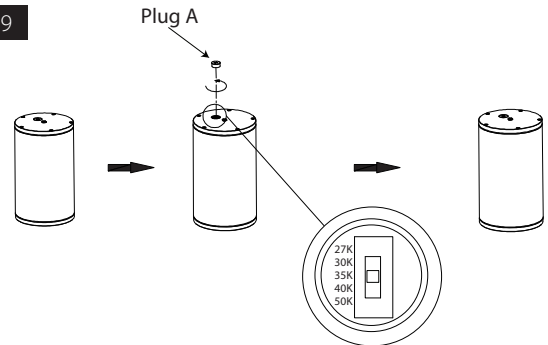
2. Fix **Junction Box Adaptor Plate** into junction box with (3) **8#-32x1 Screws**. (Fig. 8)

Fig: 8



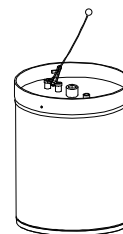
3. Unscrew **Plug A** to adjust the CCT (Default-3000K). When set down, screw back **Plug A**. (Fig. 9)

Fig: 9



4. Fix **Canopy** back to the **Fixture**. (Fig. 10)

Fig: 10



# INSTRUCTIONS

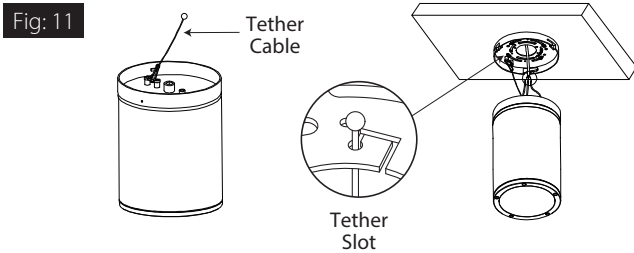
## CYLINDER INSTALLATION

# RAB®

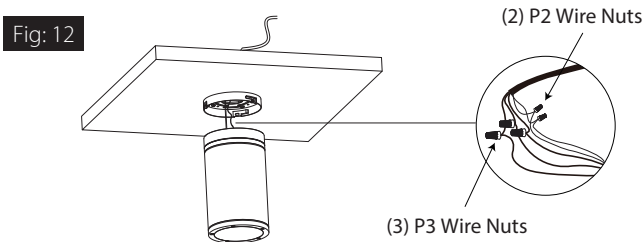
RAB Lighting is committed to creating high-quality, affordable, well-designed and energy-efficient LED lighting and controls that make it easy for electricians to install and end users to save energy. We'd love to hear your comments. Please call the Marketing Department at 888-RAB-1000 or email: [marketing@rablighting.com](mailto:marketing@rablighting.com)

### CEILING MOUNT INSTALLATION (cont'd)

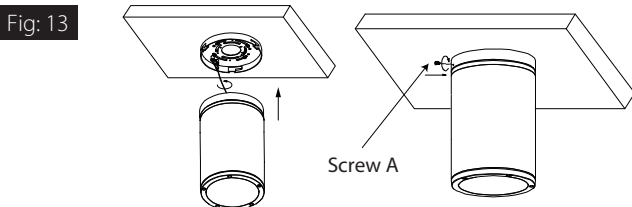
5. Connect **Tether Cable** on **Canopy** to **Tether Slot** in **Junction Box Adaptor Plate**. (Fig. 11)



6. Connect the wires with (3) **P3 Wire Nuts** and (2) **P2 Wire Nuts** according to **Wiring Diagram**. (2) **P2 Wire Nuts** are for dimming wires. (Fig. 12) (Fig. 32)



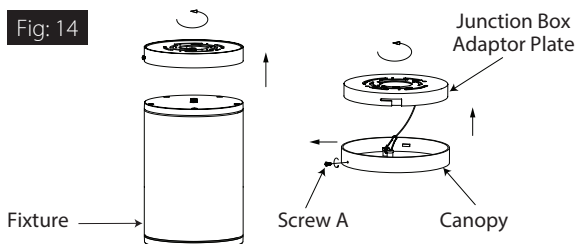
7. Align the holes on **Canopy** and **Junction Box Adaptor Plate** to fix **Canopy** back to **Junction Box Adaptor Plate** counterclockwise and tighten them with **Screw A**. (Fig. 13)



### PENDANT CORD/ PENDANT POLE MOUNT

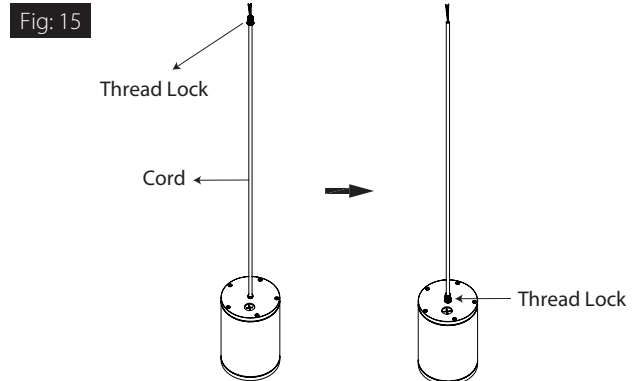
Important: For wet locations, caulk the seam between the fixture and ceiling.

1. Unscrew **Junction Box Adaptor Plate** and **Canopy** off the **Fixture** counterclockwise. Remove **Screw A** from **Canopy** and separate **Junction Box Adaptor Plate** and **Canopy**. (Fig. 14)

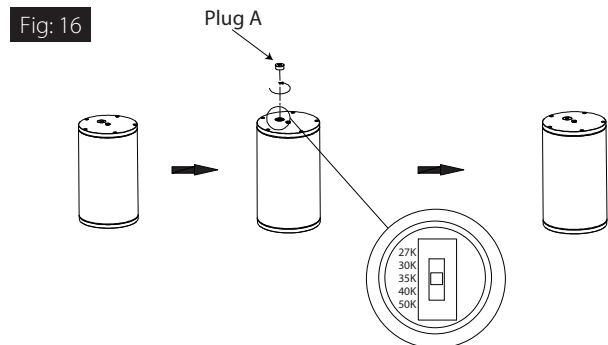


### PENDANT CORD/ PENDANT POLE MOUNT (cont'd)

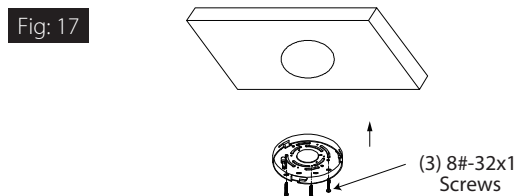
2. Pass **Thread Lock** through the **Cord** and tighten it securely. (Fig. 15)



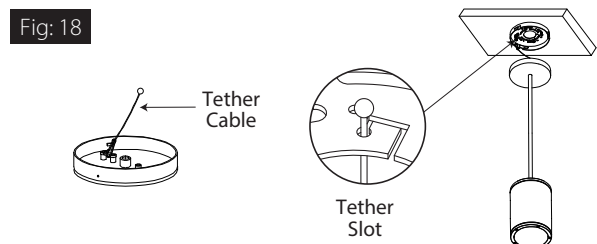
3. Unscrew **Plug A** to adjust the CCT (Default-3000K). When set down, screw back **Plug A**. (Fig. 16)



4. Fix **Junction Box Adaptor Plate** into junction box with (3) **8#-32x1 Screws**. (Fig. 17)



5. Connect **Tether Cable** on **Canopy** to **Tether Slot** in **Junction Box Adaptor Plate**. (Fig. 18)



# INSTRUCTIONS

## CYLINDER INSTALLATION

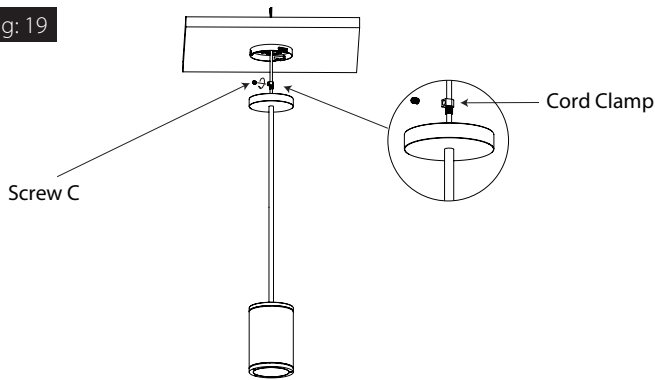
# RAB®

RAB Lighting is committed to creating high-quality, affordable, well-designed and energy-efficient LED lighting and controls that make it easy for electricians to install and end users to save energy. We'd love to hear your comments. Please call the Marketing Department at 888-RAB-1000 or email: [marketing@rablighting.com](mailto:marketing@rablighting.com)

### PENDANT CORD/ PENDANT POLE MOUNT (cont'd)

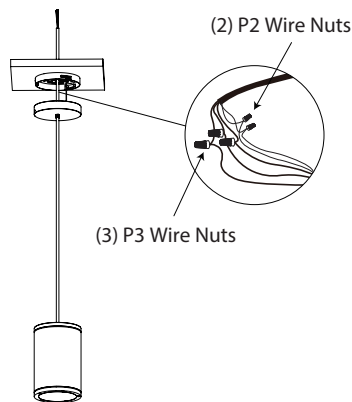
6. Pass **Cord Clamp** through the **Cord**. Adjust **Cord** length according to requirement and tighten **Cord Clamp** with **Screw C**.  
A minimum of 6 inches will be needed for connecting to the power supply wires located in the junction box.

Fig: 19



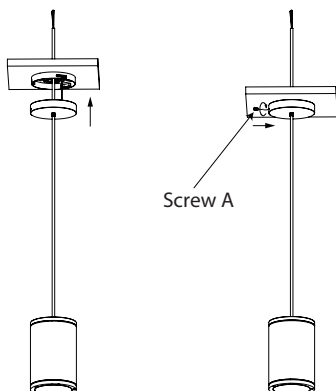
7. Connect the wires with (3) **P3 Wire Nuts** and (2) **P2 Wire Nuts** according to **Wiring Diagram**. (2) **P2 Wire Nuts** are for dimming wires.(Fig. 20) (Fig. 32)

Fig: 20



8. Fix **Canopy** back to **Junction Box Adaptor Plate** and tighten them with **Screw A**. (Fig. 21)

Fig: 21

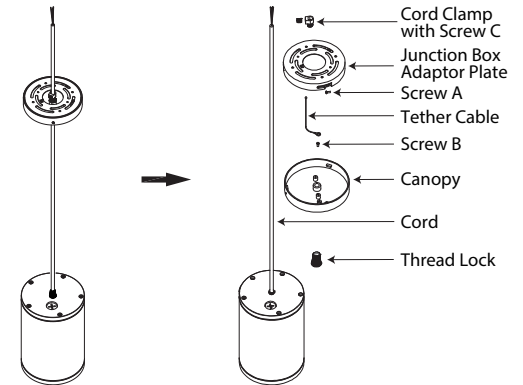


### CORD TO POLE CONVERSION

Note: Please refer to RAB CD34STEM-X. Poles are sold separately.

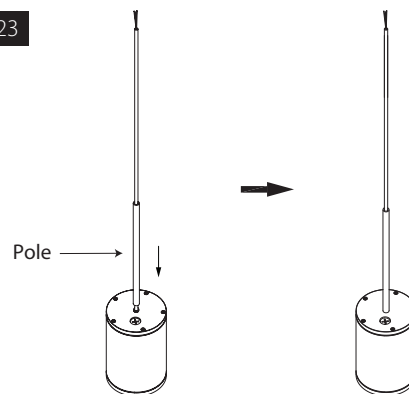
1. Remove **Cord Clamp** with **Screw C**, **Canopy**, **Tether Cable** with **Screw B**, **Junction Box Adaptor Plate** with **Screw A**. Discard **Thread Lock**. (Fig. 22)

Fig: 22



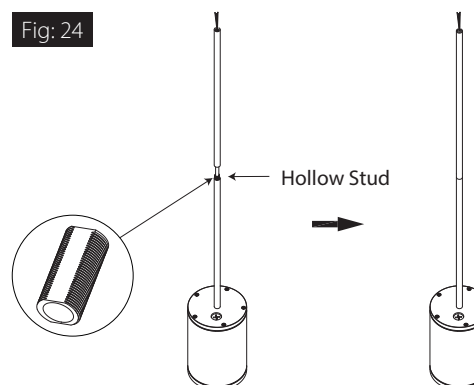
2. Insert **Cord** through **Pole** section. Screw **Pole** section to **Fixture**. Add up to 3 more **Pole** sections as required. Each pole section is 12" long. A minimum of 6 inches will be needed for connecting to the power supply wires located in the junction box. (Fig. 23)

Fig: 23



3. Thread **Cord** onto **Hollow Stud** and tighten them securely. (Fig. 24)

Fig: 24



# INSTRUCTIONS

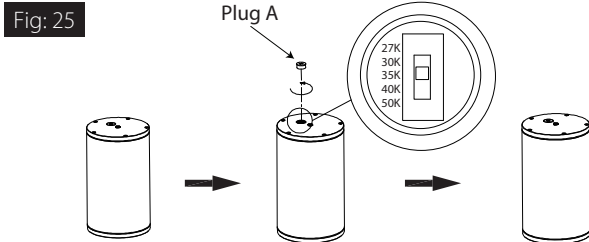
## CYLINDER INSTALLATION

# RAB®

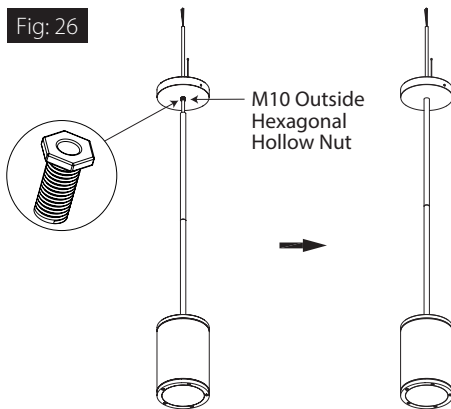
RAB Lighting is committed to creating high-quality, affordable, well-designed and energy-efficient LED lighting and controls that make it easy for electricians to install and end users to save energy. We'd love to hear your comments. Please call the Marketing Department at 888-RAB-1000 or email: [marketing@rablighting.com](mailto:marketing@rablighting.com)

### CORD TO POLE CONVERSION (cont'd)

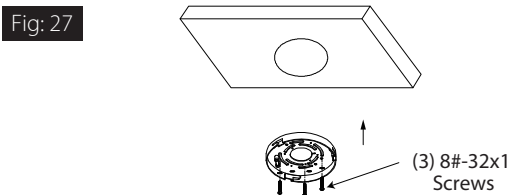
4. Unscrew **Plug A** to adjust the CCT (Default-3000K). When set down, screw back **Plug A**. (Fig. 25)



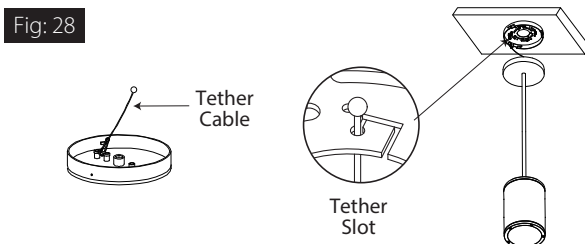
5. Unscrew **M10 Outside Hexagonal Hollow Nut** to Canopy and fix **Canopy to Pole** through **M10 Outside Hexagonal Hollow Nut**. (Fig. 26)



6. Fix **Junction Box Adaptor Plate** into junction box with (3) **8#-32x1 Screws**. (Fig. 27)

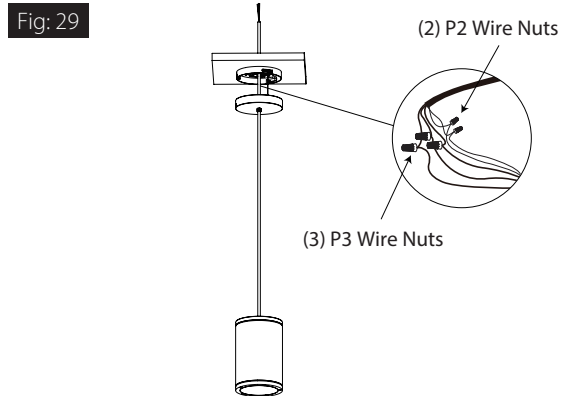


7. Connect **Tether Cable** on **Canopy** to **Tether Slot** in **Junction Box Adaptor Plate**. (Fig. 28)

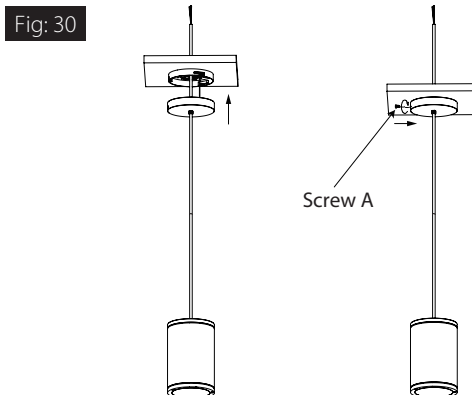


### CORD TO POLE CONVERSION (cont'd)

8. Connect the wires with (3) **P3 Wire Nuts** and (2) **P2 Wire Nuts** according to **Wiring Diagram**. (2) **P2 Wire Nuts** are for dimming wires. (Fig. 29) (Fig. 32)

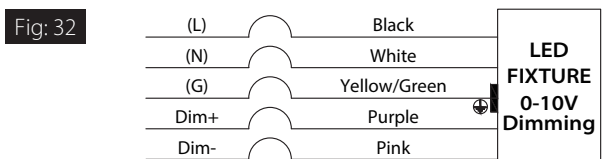
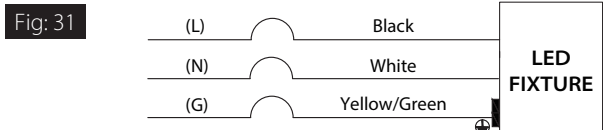


9. Fix **Canopy** back to **Junction Box Adaptor Plate** and tighten them with **Screw A**. (Fig. 30)



**Note:** These instructions do not cover all details or variations in equipment nor do they provide for every possible situation during installation, operation or maintenance.

### WIRING DIAGRAM



# INSTRUCTIONS

## CYLINDER INSTALLATION



RAB Lighting is committed to creating high-quality, affordable, well-designed and energy-efficient LED lighting and controls that make it easy for electricians to install and end users to save energy. We'd love to hear your comments. Please call the Marketing Department at 888-RAB-1000 or email: [marketing@rablighting.com](mailto:marketing@rablighting.com)

### CLEANING & MAINTENANCE

**CAUTION:** Be sure fixture temperature is cool enough to touch. Do not clean or maintain while fixture is energized.

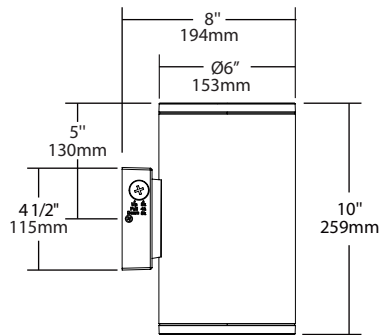
1. Do not open fixture to clean the LED. Do not touch the LED.
2. Do not touch reflector.
3. Do not clean any fixture surface with wood-base cleaning material such as paper towels or tissues.

### TROUBLESHOOTING

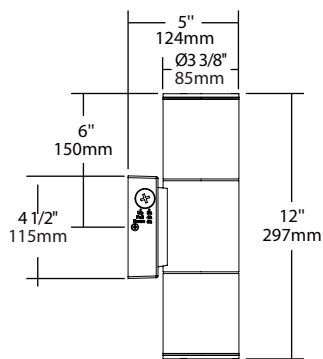
1. Check that the line voltage at the fixture is correct. Refer to wiring directions.
2. Is the fixture grounded properly?

### DIMENSIONAL DRAWINGS

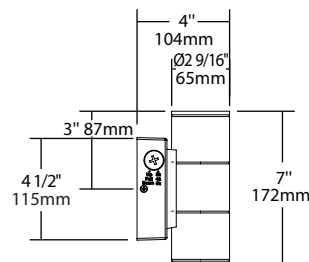
#### Wall Mount



CD34FA6W-36-708-XX



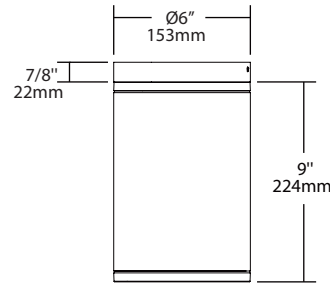
CD34FA4W-20-508-XX



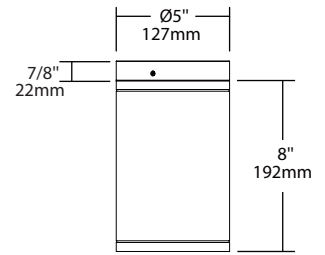
CD34FA3W-10-508-XX

### DIMENSIONAL DRAWINGS (cont'd)

#### Ceiling Mount

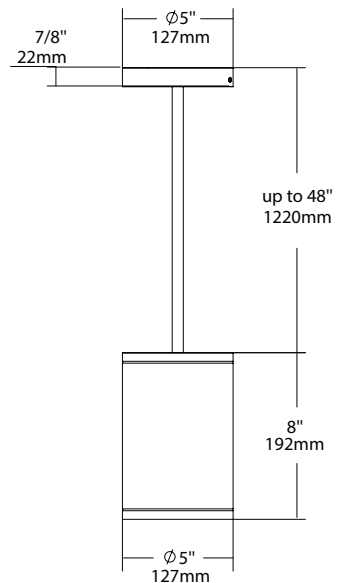
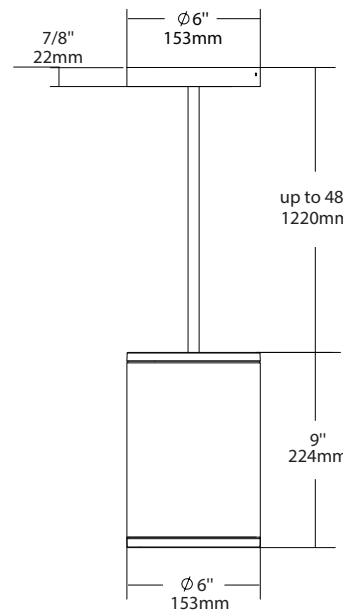


CD34FA6SP-30-709-XX



CD34FA4SP-20-509-XX

#### Pendant/Cord Mount



#### Easy Answers

© 2023 RAB LIGHTING Inc.  
Cranbury, New Jersey 08512 USA

[rablighting.com](http://rablighting.com)  
Visit our website for product info

**Tech Help Line**  
Call our experts: 888 722-1000

**e-mail**  
Answered promptly - [sales@rablighting.com](mailto:sales@rablighting.com)

**Free Lighting Layouts**  
Answered online or by request