



Corrosion-proof round four hole cover. Tough polycarbonate with molded-in color. Fourth hole is perfect for motion sensor mounting. Fits 4" round boxes. Supplied with thick foam rubber gasket. One molded 1/2" close-up plug and (2) stainless steel screws.

Color: White

Weight: 0.1 lbs

Project:	Type:
Prepared By:	Date:

Technical Specifications

Compliance

UL Listed:

Suitable for wet locations

Construction

Covers:

Tough polycarbonate with molded-in color

Screws:

10-24 Brass Round Head Phillips/slotted

Gaskets:

1/8" thick closed cell silicone rubber for long lasting seal won't crumple or break

Hole Count:

Round 4 Hole

Other

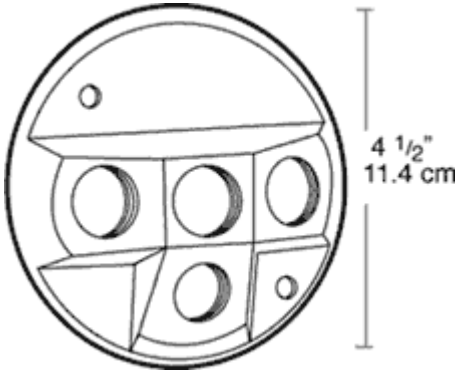
Replacement Plugs:

Available for round and rectangular covers and boxes

Buy American Act Compliance:

RAB values USA manufacturing! Upon request, RAB may be able to manufacture this product to be compliant with the Buy American Act (BAA). Please contact customer service to request a quote for the product to be made BAA compliant.

Dimensions



Features

- 1/8" thick weather seal gasket is closed cell silicone rubber for long lasting seal that won't break
- Strong, corrosion-proof polycarbonate
- Stainless steel screws provided
- Die cast aluminum covers are color matched
- Close-up plugs allow Phillips or slotted screwdrivers for easy installation