

INSTRUCTIONS

BULLET®12 INSTALLATION

RAB®

RAB Lighting is committed to creating high-quality, affordable, well-designed and energy-efficient LED lighting and controls that make it easy for electricians to install and end users to save energy. We'd love to hear your comments. Please call the Marketing Department at 888-RAB-1000 or email: marketing@rablighting.com



IMPORTANT

READ CAREFULLY BEFORE INSTALLING FIXTURE. RETAIN THESE INSTRUCTIONS FOR FUTURE REFERENCE.

RAB fixtures must be wired in accordance with the National Electrical Code and all applicable local codes. Proper grounding is required for safety. THIS PRODUCT MUST BE INSTALLED IN ACCORDANCE WITH THE APPLICABLE INSTALLATION CODE BY A PERSON FAMILIAR WITH THE CONSTRUCTION AND OPERATION OF THE PRODUCT AND THE HAZARDS INVOLVED.

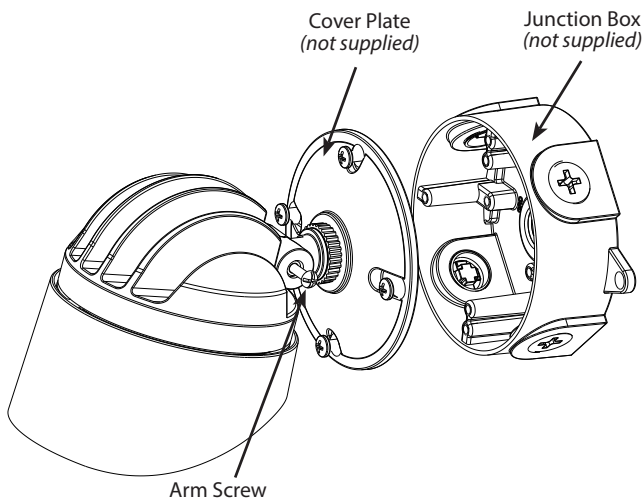
WARNING: Make certain power is OFF before installing or maintaining fixture. No user serviceable parts inside.

CAUTION: For proper weatherproof seal, apply weatherproof silicone sealant around the edge of the Junction Box. This is especially important with an uneven wall surface. Use silicone sealant or Teflon tape around the thread of the arm.

WALL MOUNTING

Mount to a weatherproof **Junction Box** (*not supplied*) and **Cover Plate** (*not supplied*) as shown. Apply weatherproof silicone sealant around the edge of the **Junction Box**. This is especially important with an uneven wall surface.

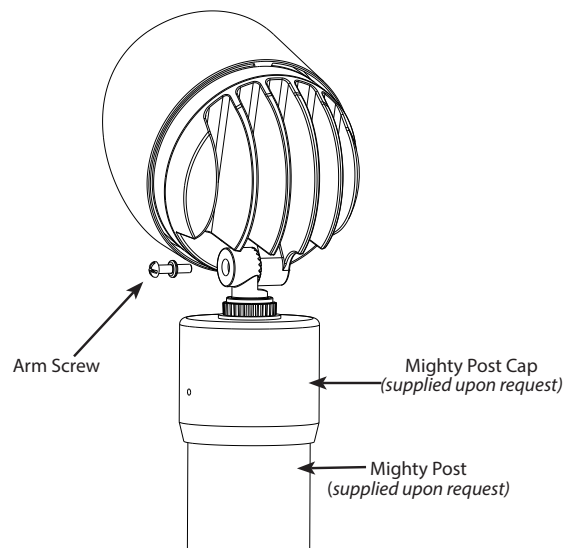
1. Thread fixture into **Cover Plate**. Use silicone sealant or Teflon tape around the thread of the arm.
2. Connect wires as shown in the wiring section.
3. Attach **Cover Plate** to **Junction Box**.
4. Aim **Fixture** in the desired direction and tighten locknut and **Arm Screw**.



GROUND MOUNTING

Mount to a **Mighty Post** (*RAB Cat# MP19*) as shown below.

1. Thread **Fixture** into **Mighty Post Cap** (*supplied upon request*). Use silicone sealant or Teflon tape around the thread of the arm.
2. Connect wires as shown in the wiring section. Push all wires inside the **Mighty Post** (*supplied upon request*).
3. Place **Mighty Post Cap** on the **Mighty Post**.
4. Aim **Fixture** in the desired direction and tighten locknut and **Arm Screw**.



INSTRUCTIONS

BULLET®12 INSTALLATION

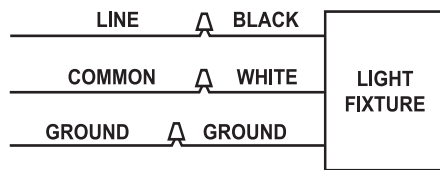


RAB Lighting is committed to creating high-quality, affordable, well-designed and energy-efficient LED lighting and controls that make it easy for electricians to install and end users to save energy. We'd love to hear your comments. Please call the Marketing Department at 888-RAB-1000 or email: marketing@rablighting.com

ON/OFF WIRING

Operates only at 120V, 60 Hz. Fixture can be dimmed with most forward phase incandescent dimmers. For list of compatible dimmers see www.rablighting.com.

1. Connect the black fixture lead to the (+) **LINE** supply lead.
2. Connect the white fixture lead to the (-) **COMMON** supply lead.
3. Connect the **GROUND** wire from fixture to supply ground.



CLEANING & MAINTENANCE

CAUTION: Be sure fixture temperature is cool enough to touch. Do not clean or maintain while fixture is energized.

1. Clean lens & fixture with non-abrasive cleaning solution.
2. Do not open fixture to clean the LED. Do not touch the LED.
3. Keep leaves and debris out of hood.

TROUBLESHOOTING

1. Check that the line voltage at fixture is correct. Refer to wiring section.
2. Check the fixture is grounded properly.
3. If sensor is connected, check if it is working properly.

Note: These instructions do not cover all details or variations in equipment nor do they provide for every possible situation during installation, operation or maintenance.



© 2022 RAB LIGHTING Inc.

BULLET12 - IN - 1221
73285-RAB

Easy Answers

rablighting.com
Visit our website for product info

Tech Help Line
Call our experts: 888 722-1000

e-mail
Answered promptly - sales@rablighting.com

Free Lighting Layouts
Answered online or by request

RAB WARRANTY: RAB's warranty is subject to all terms and conditions found at rablighting.com/warranty.