

INSTRUCTIONS

BRISK® 17 FA WALL PACK FIELD ADJUSTABLE INSTALLATION

RAB®

RAB Lighting is committed to creating high-quality, affordable, well-designed and energy-efficient LED lighting and controls that make it easy for electricians to install and end users to save energy. We'd love to hear your comments. Please call the Marketing Department at 888-RAB-1000 or email: marketing@rablighting.com



BRISK17 FA

IMPORTANT

READ CAREFULLY BEFORE INSTALLING FIXTURE. RETAIN THESE INSTRUCTIONS FOR FUTURE REFERENCE.

RAB fixtures must be wired in accordance with the National Electrical Code and all applicable local codes. Proper grounding is required for safety. THIS PRODUCT MUST BE INSTALLED IN ACCORDANCE WITH THE APPLICABLE INSTALLATION CODE BY A PERSON FAMILIAR WITH THE CONSTRUCTION AND OPERATION OF THE PRODUCT AND THE HAZARDS INVOLVED.

WARNING: Make certain power is OFF before installing or maintaining fixture. No user serviceable parts inside.

WARNING: Do not use an electric generator to test LED fixtures.

WARNING: Min 90 °C SUPPLY CONDUCTORS.

CAUTION: For proper weatherproofing function, all gaskets must be seated properly and all screws inserted and tightened. This is important with an uneven wall surface. Silicone all plugs and unused conduit entries.

For wet location compliance, fixture must be properly sealed. For moisture seal, apply silicone caulking between the mounting surface and back housing, as well as around the sides of the housing. This is important with uneven wall surface.

WALL MOUNT

Suitable for outdoor applications.

1. Loosen **Housing** side **Screws (4)** as shown in **Fig. 1**.
2. Remove **Housing Back Plate** and unscrew **Plug** with a screwdriver as shown in **Fig. 2**.
3. Apply **Foam Gasket** (*provided*) to external surface of the **Housing Back Plate** by removing yellow plastic film and adhering to **Housing Back Plate** as shown in **Fig. 3**.
4. Mount **Housing Back Plate** to surface or junction box (*supplied by others*) and secure with (2) **Screws** (*supplied by others*) as shown in **Fig. 4**.
5. Feed supply wires through **Housing Back Plate** as shown in **Fig. 5**. Wire the **Housing** leads to supply wires using UL listed wire connectors according to NEC and local codes (**Fig. 9**). Push all wires into the housing.
6. Place wired **Housing** over the **Housing Back Plate** and secure with (4) **Screws** (*provided*) as shown in **Fig. 1**.
7. For **Side Conduit** wiring, remove **Side Conduit Cap** using a screwdriver as shown in **Fig. 1**. Feed supply wires through conduit opening with a suitable connector as shown in **Fig. 5**. Wire the driver leads to the supply wires using UL listed wire connectors according to NEC and local codes (**Fig. 9**). Refer to Step 6 for mounting **Housing** to surface or junction box.

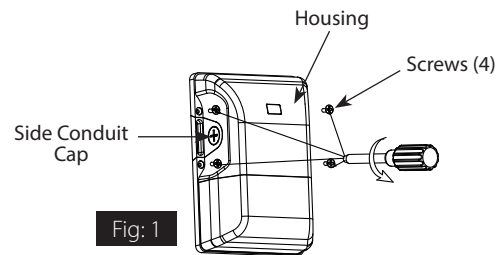


Fig: 1

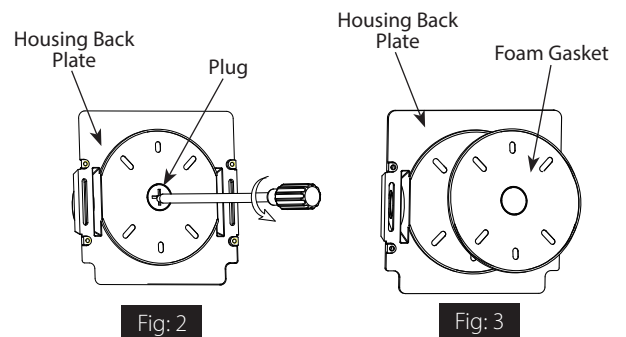


Fig: 2

Fig: 3

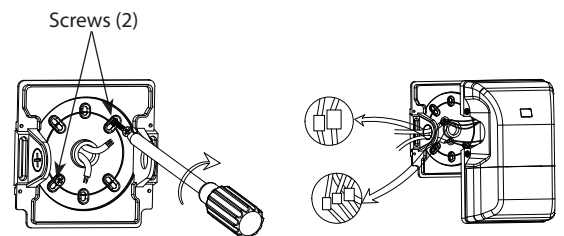


Fig: 4

Fig: 5

INSTRUCTIONS

BRISK® 17 FA WALL PACK FIELD ADJUSTABLE INSTALLATION



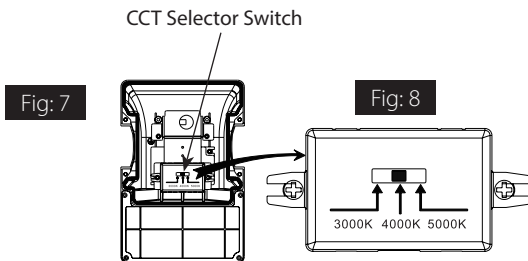
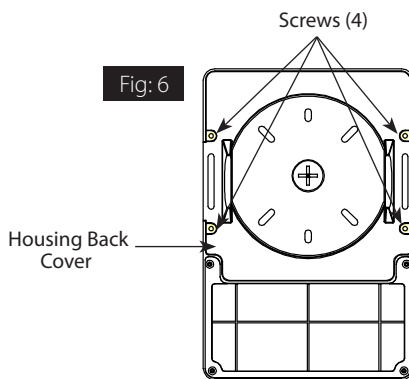
RAB Lighting is committed to creating high-quality, affordable, well-designed and energy-efficient LED lighting and controls that make it easy for electricians to install and end users to save energy. We'd love to hear your comments. Please call the Marketing Department at 888-RAB-1000 or email: marketing@rablighting.com

FIELD ADJUSTMENT

Follow instructions below to change Fixture Color Temperature (CCT) from the factory setting.

Factory Setting: 4000K (CCT)

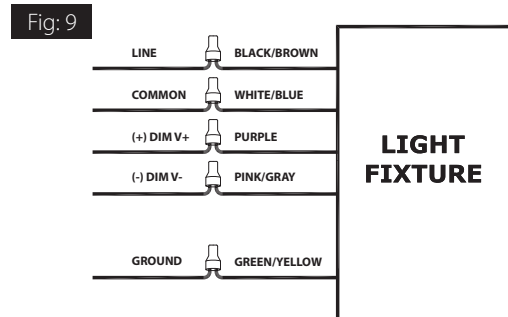
1. Remove **Housing Back Cover** by loosening (4) **Screws** as shown in **Fig. 6**.
2. Locate the **Selector Switch** (*Fig 7*).
3. Select Color Temperature (CCT) by sliding the respective switch to the desired value as shown in **Fig. 8**.
4. Replace **Housing Back Cover** and secure with (4) **Screws** (*provided*).



0-10V DIMMABLE WIRING

Universal voltage driver permits operation at 120V thru 277V, 50 or 60 Hz. For 0-10 Dimming, follow the wiring directions as shown in **Fig. 9**.

1. Connect the black/brown fixture lead to the LINE supply lead.
2. Connect the white/blue fixture lead to the COMMON supply lead.
3. Connect the green/yellow wire from the fixture to supply ground. Do NOT connect GROUND of the dimming fixture to the output.
4. Connect the purple fixture lead to the DIM V+ lead.
5. Connect the pink/gray fixture lead to the DIM V- lead.
6. Cap the yellow fixture lead, if present. Do NOT connect.



CLEANING & MAINTENANCE

CAUTION: Be sure fixture temperature is cool enough to touch. Do not clean or maintain while fixture is energized.

1. Clean polycarbonate lens with non-abrasive glass cleaning solution.
2. Do not open the fixture to clean the LED. Do not touch the LED.

TROUBLESHOOTING

1. Is the fixture grounded properly?
2. It is recommended to wear gloves to avoid injury during installation.
3. If any smoke or spark, please turn off the power immediately.

Note: These instructions do not cover all details or variations in equipment nor do they provide for every possible situation during installation, operation or maintenance.



Easy Answers

rablighting.com
Visit our website for product info

Tech Help Line
Call our experts: 888 722-1000

e-mail
Answered promptly - sales@rablighting.com

Free Lighting Layouts
Answered online or by request