

Project:

Type:

Prepared By:

Date:



UPC: 019813750064

### Features and Benefits

- Energy efficient replacement for incandescent and halogen reflector lamps
- Constructed from durable plastic which lowers risk of breakage
- Rated for use in enclosed and open fixtures in dry or damp locations
- Frosted lens delivers smooth, diffuse light
- Longer lifespan compared to legacy equivalents minimizes replacement and maintenance costs

## Technical Specifications

### Performance

#### Product Type:

Reflector, 90CRI Dimmable

#### Description:

Replace conventional reflector lamps. Dimmable, 90CRI and 15,000 hour lifespan.

#### Wattage Equivalency:

65W Halogen

#### Input Wattage:

9.5W

#### Lumens (Nominal):

800lm

#### Efficacy:

84lm/W

#### L70 Lifespan:

15,000-Hour LED lifespan based on IES LM-70 results

### Electrical

#### Driver:

Constant Current 120V 50/60 Hz; 120V: 85mA

#### THD:

&lt;75%

#### Power Factor:

0.9

#### Dimmable:

Yes, dimmable down to 10% on compatible TRIAC/ELV dimming systems. See Dimmer Compatibility List.

#### Input Voltage:

120V

#### Flicker:

&lt;30%

### Construction

#### Operating Temperature Range:

-4°F - 104°F (-20°C - 40°C)

#### Shape:

BR30

#### Finish:

White

#### Endcap Material:

Nickel-plated aluminum

#### Enclosure Material:

Polycarbonate

#### Lens Finish:

Frosted

### LED Characteristics

#### Beam Angle:

120°

#### Color Temperature:

2700K

#### Color Accuracy (CRI):

≥90

#### R9 Value:

High color performance with R9 greater than 50

#### Color Consistency:

&lt;4-step MacAdam Ellipse binning to achieve consistent fixture-to-fixture color

**Technical Specifications (continued)****Installation****Base Type:**

E26 Edison

**Compliance****ETL Listed:**

This product has been tested by Intertek and found in compliance with accepted national standards.

**Environment:**

Suitable for use indoors in dry and damp environments.

**Fixture Rating:**

Suitable for use in enclosed fixtures

**Energy Star Approved:**

No

**DLC Listed:**

This product family is listed with the DesignLights Consortium (DLC). Individual SKUs within this family may carry either a DLC Standard or DLC Premium qualification. Please refer to the individual product specification sheet or the DLC Qualified Products List (QPL) at [designlights.org](http://designlights.org) to confirm the qualification status of a specific SKU prior to specification or purchase.

**Certification Model Number:**

P30005(BR30-10-927-DIM)

**California Title 20 Compliant:**

Can be used to conform with the requirements of California Title 20

**California Title 24 JA8 Compliant:**

Can be used to conform with the requirements of California Title 24 Part 6.

**California Energy Commission (CEC) Status:**

Lawful for Sales in California

**IESNA LM-79 & LM-80 Testing:**

RAB LED luminaires and LED components have been tested by an independent laboratory in accordance with IESNA LM-79 and LM-80.

**RoHS:**

Mercury and UV free. RoHS-compliant components.

**FCC:**

Complies with Part 15 of the FCC Rules

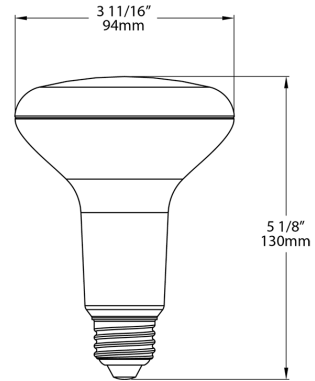
**Other****3-Year, No-Compromise Warranty:**

RAB warrants that our LED products will be free from defects in materials and workmanship for a period of three (3) years from the date of delivery to the end user, including coverage of light output, color stability, driver performance and fixture finish. RAB's warranty is subject to all terms and conditions found at [rablighting.com/warranty](http://rablighting.com/warranty).

**Case and Pallet Dimensions**

	QTY	LENGTH (in)	WIDTH (in)	HEIGHT (in)
CASE	6	12	8	7
PALLET	840	47.9	40	39

**Dimension**



**Light Distribution**

