



Project:

Type:

Prepared By:

Date:

Driver Info

Type	Constant Current
120V	0.17A
208V	0.10A
240V	0.09A
277V	0.08A
Input Watts	5.7-19.9W

LED Info

Watts	20W
Color Temp	3000K/3500K/4000K
Color Accuracy	93-95 CRI
L70 Lifespan	50,000 Hours
Lumens	685-2,661 lm
Efficacy	120.2-136.1 lm/W

Technical Specifications**Field Adjustability****Field Adjustable:**

Field Adjustable Light Output:

20W/14W/12W/10W/5W (factory default 20W)

Color Temperature Selectable:

3000K, 3500K and 4000K (factory default 4000K)

Compliance**UL Listed:**

Suitable for damp locations

DLC Listed:

This product is on the Design Lights Consortium (DLC) Qualified Products List and is eligible for rebates from DLC Member Utilities. Designed to meet DLC 5.1 requirements.

DLC Product Code: S-95XUYR

Electrical**Driver:**

Constant Current, Class 2, 120-277V, 50/60 Hz:

20W: 120V: 0.17A, 208V: 0.10A, 240V: 0.09A, 277V: 0.08A

14W: 120V: 0.12A, 208V: 0.07A, 240V: 0.06A, 277V: 0.05A

12W: 120V: 0.10A, 208V: 0.06A, 240V: 0.05A, 277V: 0.05A

10W: 120V: 0.09A, 208V: 0.06A, 240V: 0.05A, 277V: 0.04A

5W: 120V: 0.05A, 208V: 0.03A, 240V: 0.02A, 277V: 0.02A

Dimming Driver:

Driver includes dimming control wiring for 0-10V dimming systems. Requires separate 0-10V DC dimming circuit. Dims down to 10%.

THD:

4.52% at 120V, 9.45% at 277V

Power Factor:

99.6% at 120V, 92.4% at 277V

Surge Protection:

2kV

LED Characteristics**LEDs:**

Long-life, high-efficiency, surface-mount LEDs

Color Uniformity:

RAB's range of Correlated Color Temperature follows the guidelines of the American National Standard for Specifications for the Chromaticity of Solid State Lighting (SSL) Products, ANSI C78.377-2017.

Performance**Lifespan:**

50,000-Hour LED lifespan based on IES LM-80 results and TM-21 calculations

Performance Data:

[Click here for the BOA2 performance data](#)

Wattage Equivalency:

20W: Replaces up to (1) F32T8 or (3) F17T8

14W: Replaces up to (1) F32T8 or (2) F17T8

12W: Replaces up to (1) F32T8 or (2) F17T8

10W: Replaces up to (1) F32T8 or (1) F17T8

5W: Replaces up to (1) F32T8 or (1) F17T8

Construction**Cold Weather Starting:**

The minimum starting temperature is -20°C (-4°F)

Maximum Ambient Temperature:

Suitable for use in up to 40°C (104°F)

Housing:

Aluminum

Mounting:

For direct ceiling and wall mounting

Lens:

Polycarbonate frosted flat lens

Reflector:

Polyethylene Terephthalate (PET)

Technical Specifications (continued)

Finish:

Formulated for high durability and long-lasting color

Green Technology:

Mercury and UV free. RoHS-compliant components.

Other**Note:**

All values are typical (tolerance +/- 10%)

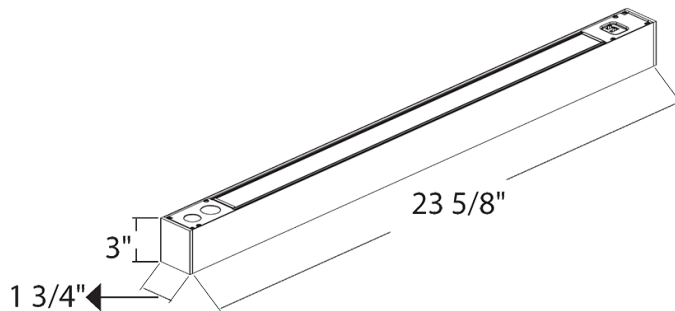
5 Yr Limited Warranty:

The RAB 5-year, limited warranty covers light output, driver performance and paint finish. RAB's warranty is subject to all terms and conditions found at rablighting.com/warranty.

Buy American Act Compliance:

RAB values USA manufacturing! Upon request, RAB may be able to manufacture this product to be compliant with the Buy American Act (BAA). Please contact customer service to request a quote for the product to be made BAA compliant.

Dimensions



Features

- 50,000-Hour LED lifespan
- 0-10V dimming
- 5-Year, limited warranty

Ordering Matrix

Family	Size (Wattages)	Mount	Lens	Light Output	Color Temp	Voltage	Finish	Options
BOA	2	P					W	
	2 = 2 ft (20W/14W/12W/10W/5W) 4 = 4 ft (40W/28W/24W/20W/10W) 8 = 8 ft (80W/56W/48W/40W/20W)	P = Pendant	Blank = Flat L = Louvers	Blank = Downlight	Blank = 3000K/3500K/4000K CCT Adjustable	Blank = 120-277V, 0-10V Dimming	W = White S = Silver B = Black	/LCBS/E = Lightcloud® Blue Enabled w/ PIR Sensor and Battery Backup ² /LCBS/MVS/E = Lightcloud® Blue Enabled w/ MVS Sensor and Battery Backup ² Blank = No Option /MVS = Microwave Occupancy Sensor /PIR = Passive Infrared Occupancy Sensor /LCBS = Lightcloud® Blue Enabled w/ PIR Sensor /LCBS/MVS = Lightcloud® Blue Enabled w/ MVS Sensor /E = Battery Backup ² /MVS/E = Microwave Occupancy Sensor w/ Battery Backup ² /PIR/E = Passive Infrared Occupancy Sensor w/ Battery Back Up ²

¹ Only available on 4 ft and 8 ft models only