

Project:

Type:

Prepared By:

Date:

**Driver Info**

Type	Constant Current
120V	0.17A
208V	0.10A
240V	0.09A
277V	0.08A
Input Watts	10.5-20.4W

**LED Info**

Watts	20W
Color Temp	3000K/3500K/4000K
Color Accuracy	93-95 CRI
L70 Lifespan	50,000 Hours
Lumens	1,379-2,796 lm
Efficacy	127.7-142.1 lm/W

**Technical Specifications****Field Adjustability****Field Adjustable:**

Field Adjustable Light Output:  
20W/10W (factory default 20W)  
5 Power Preset:  
100%/0% (Downlight Only)  
70%/30%  
60%/40%  
50%/50%  
0%/100% (Uplight Only)  
Color Temperature Selectable:  
3000K, 3500K and 4000K (factory default 4000K)

**Compliance****UL Listed:**

Suitable for damp locations

**DLC Listed:**

This product is on the Design Lights Consortium (DLC) Qualified Products List and is eligible for rebates from DLC Member Utilities. Designed to meet DLC 5.1 requirements.  
DLC Product Code: S-7A850F

**Electrical****Driver:**

Constant Current, Class 2, 120-277V, 50/60 Hz:  
20W: 120V: 0.17A, 208V: 0.10A, 240V: 0.09A, 277V: 0.08A  
10W: 120V: 0.09A, 208V: 0.06A, 240V: 0.05A, 277V: 0.05A

**Dimming Driver:**

Driver includes dimming control wiring for 0-10V dimming systems. Requires separate 0-10V DC dimming circuit. Dims down to 10%.

**THD:**

4.46% at 120V, 8.1% at 277V

**Power Factor:**

99.5% at 120V, 93% at 277V

**Surge Protection:**

2kV

**LED Characteristics****LEDs:**

Long-life, high-efficacy, surface-mount LEDs

**Color Uniformity:**

RAB's range of Correlated Color Temperature follows the guidelines of the American National Standard for Specifications for the Chromaticity of Solid State Lighting (SSL) Products, ANSI C78.377-2017.

**Performance****Lifespan:**

50,000-Hour LED lifespan based on IES LM-80 results and TM-21 calculations

**Performance Data:**

[Click here for the BOA2 performance data](#)

**Wattage Equivalency:**

20W 100% / 0%: Replaces up to (1) F32T8 or (3) F17T8  
20W 70% / 30%: Replaces up to (1) F32T8 or (3) F17T8  
20W 60% / 40%: Replaces up to (1) F32T8 or (3) F17T8  
20W 50% / 50%: Replaces up to (1) F32T8 or (3) F17T8  
20W 0% / 100%: Replaces up to (1) F32T8 or (12) F17T8

**Construction****Cold Weather Starting:**

The minimum starting temperature is -20°C (-4°F)

**Maximum Ambient Temperature:**

Suitable for use in up to 40°C (104°F)

**Housing:**

Aluminum

**Mounting:**

For direct ceiling and wall mounting

## Technical Specifications (continued)

**Lens:**

Polycarbonate frosted flat lens

**Reflector:**

Polyethylene Terephthalate (PET)

**Finish:**

Formulated for high durability and long-lasting color

**Green Technology:**

Mercury and UV free. RoHS-compliant components.

**Other****Note:**

All values are typical (tolerance +/- 10%)

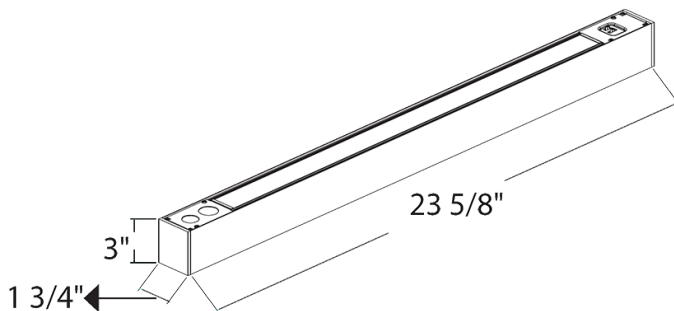
**5 Yr Limited Warranty:**

The RAB 5-year, limited warranty covers light output, driver performance and paint finish. RAB's warranty is subject to all terms and conditions found at [rablighting.com/warranty](http://rablighting.com/warranty).

**Buy American Act Compliance:**

RAB values USA manufacturing! Upon request, RAB may be able to manufacture this product to be compliant with the Buy American Act (BAA). Please contact customer service to request a quote for the product to be made BAA compliant.

## Dimensions



## Features

50,000-Hour LED lifespan

0-10V dimming

5-Year, limited warranty

Ordering Matrix

Family	Size (Wattages)	Mount	Lens	Light Output	Color Temp	Voltage	Finish	Options
BOA	2 2 = 2 ft (20W) 4 = 4 ft (40W) 8 = 8 ft (80W)	P P = Pendant	Blank = Flat L = Louvers	U U = Uplight/Downlight	Blank = 3000K/3500K/4000K CCT Adjustable	Blank = 120-277V, 0-10V Dimming	W = White S = Silver B = Black	Blank = No Option /MVS = Microwave Occupancy Sensor /PIR = Passive Infrared Occupancy Sensor /LCBS = Lightcloud® Blue Enabled w/ PIR Sensor /LCBS/MVS = Lightcloud® Blue Enabled w/ MVS Sensor /E = Battery Backup <sup>2</sup> /MVS/E = Microwave Occupancy Sensor w/ Battery Backup <sup>2</sup> /PIR/E = Passive Infrared Occupancy Sensor w/ Battery Back Up <sup>2</sup> /LCBS/E = Lightcloud® Blue Enabled w/ PIR Sensor and Battery Backup <sup>2</sup> /LCBS/MVS/E = Lightcloud® Blue Enabled w/ MVS Sensor and Battery Backup <sup>2</sup>

<sup>1</sup> 5 Presets Down/Up: 100% / 0% (downlight only), 70% / 30%, 60% / 40%, 50% / 50%, 0% / 100% (uplight only)

<sup>2</sup> Only available on 4 ft and 8 ft models only