



Color: Silver

Weight: 3.2 lbs

Project:

Type:

Prepared By:

Date:

Driver Info

Type	Constant Current
120V	0.17A
208V	0.10A
240V	0.09A
277V	0.08A
Input Watts	10.9-20.8W

LED Info

Watts	20W
Color Temp	3000K/3500K/4000K
Color Accuracy	94-96 CRI
L70 Lifespan	50,000 Hours
Lumens	1,338-2,871 lm
Efficacy	119.5-143.6 lm/W

Technical Specifications**Field Adjustability****Field Adjustable:**

Field Adjustable Light Output:
20W/10W (factory default 20W)
5 Power Preset:
100%/0% (Downlight Only)
70%/30%
60%/40%
50%/50%
0%/100% (Uplight Only)
Color Temperature Selectable:
3000K, 3500K and 4000K (factory default 4000K)

Compliance**UL Listed:**

Suitable for damp locations

DLC Listed:

This product is listed by Design Lights Consortium (DLC) as an ultra-efficient premium product that qualifies for the highest tier of rebates from DLC Member Utilities. Designed to meet DLC 5.1 requirements.
DLC Product Code: S-30EBHO

Electrical**Driver:**

Constant Current, Class 2, 120-277V, 50/60 Hz:
20W: 120V: 0.17A, 208V: 0.10A, 240V: 0.09A, 277V: 0.08A
10W: 120V: 0.09A, 208V: 0.06A, 240V: 0.05A, 277V: 0.05A

Dimming Driver:

Driver includes dimming control wiring for 0-10V dimming systems. Requires separate 0-10V DC dimming circuit. Dims down to 10%.

THD:

4.82% at 120V, 8.1% at 277V

Power Factor:

99.6% at 120V, 93% at 277V

Surge Protection:

2kV

LED Characteristics**LEDs:**

Long-life, high-efficacy, surface-mount LEDs

Color Uniformity:

RAB's range of Correlated Color Temperature follows the guidelines of the American National Standard for Specifications for the Chromaticity of Solid State Lighting (SSL) Products, ANSI C78.377-2017.

Performance**Lifespan:**

50,000-Hour LED lifespan based on IES LM-80 results and TM-21 calculations

Performance Data:

[Click here for the BOA2 performance data](#)

Wattage Equivalency:

20W 100% / 0%: Replaces up to (1) F32T8 or (3) F17T8
20W 70% / 30%: Replaces up to (1) F32T8 or (3) F17T8
20W 60% / 40%: Replaces up to (1) F32T8 or (3) F17T8
20W 50% / 50%: Replaces up to (1) F32T8 or (3) F17T8
20W 0% / 100%: Replaces up to (1) F32T8 or (12) F17T8

Construction**Cold Weather Starting:**

The minimum starting temperature is -20°C (-4°F)

Maximum Ambient Temperature:

Suitable for use in up to 40°C (104°F)

Housing:

Aluminum

Mounting:

For direct ceiling and wall mounting

Technical Specifications (continued)**Lens:**

Polycarbonate reflective louvers lens

Reflector:

Polyethylene Terephthalate (PET)

Finish:

Formulated for high durability and long-lasting color

Green Technology:

Mercury and UV free. RoHS-compliant components.

Sensor Specifications**Brightness:**0%-100%/Quick setting: 70%/80%/90%/100%
(Factory Setting: 100%)**Hold Time:**

10s/1min/10min/30min (Factory Setting: 1 Minute)

Daylight Threshold:10Lux/30Lux/50Lux/100Lux/Disable (Factory
Setting: Disabled)**Sensitivity:**

100%

Stand-by Dimming Level:

10%/20%/30%/50% (Factory Setting: 20%)

Stand-By Time:

1min/30min/60min/+∞ (Factory Setting: 1 Minute)

Operating Voltage:

12 ± 2V DC

Operating Current:

30mA

Output:

DIM 0-10V

Stand-By Power:

<0.5W

Lux On-Off:

Adopted dual PD technology

Height:

Max 20ft/6M (ceiling mounted)

Detection Range:Max 26ft/8M (ceiling mounted) Max 20ft/6m (wall
mounted)**Operating Temperature:**

-30°C to 60°C (-22°F to 140°F)

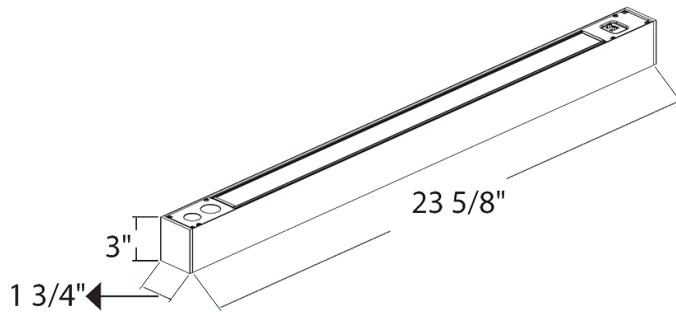
Other**Note:**

All values are typical (tolerance +/- 10%)

5 Yr Limited Warranty:The RAB 5-year, limited warranty covers light output, driver performance and paint finish. RAB's warranty is subject to all terms and conditions found at rablighting.com/warranty.**Buy American Act Compliance:**

RAB values USA manufacturing! Upon request, RAB may be able to manufacture this product to be compliant with the Buy American Act (BAA). Please contact customer service to request a quote for the product to be made BAA compliant.

Dimensions



Features

- 50,000-Hour LED lifespan
- 0-10V dimming
- 5-Year, limited warranty

Ordering Matrix

Family	Size (Wattages)	Mount	Lens	Light Output	Color Temp	Voltage	Finish	Options
BOA	2	P	L	U			S	/PIR
	2 = 2 ft (20W) 4 = 4 ft (40W) 8 = 8 ft (80W)	P = Pendant	Blank = Flat L = Louvers	U = Uplight/Downlight	Blank = 3000K/3500K/4000K CCT Adjustable	Blank = 120-277V, 0-10V Dimming	W = White S = Silver B = Black	Blank = No Option /MVS = Microwave Occupancy Sensor /PIR = Passive Infrared Occupancy Sensor /LCBS = Lightcloud® Blue Enabled w/ PIR Sensor /LCBS/MVS = Lightcloud® Blue Enabled w/ MVS Sensor /E = Battery Backup ² /MVS/E = Microwave Occupancy Sensor w/ Battery Backup ² /PIR/E = Passive Infrared Occupancy Sensor w/ Battery Backup ² /LCBS/E = Lightcloud® Blue Enabled w/ PIR Sensor and Battery Backup ² /LCBS/MVS/E = Lightcloud® Blue Enabled w/ MVS Sensor and Battery Backup ²

¹ 5 Presets Down/Up: 100% / 0% (downlight only), 70% / 30%, 60% / 40%, 50% / 50%, 0% / 100% (uplight only)

² Only available on 4 ft and 8 ft models only