



Upscale design, high-end performance, undeniable value. BOA is designed with proprietary optics that deliver maximum lumens and conceal the LED light sources behind the lens to create a pleasing dimensional illuminance with soft blended beam edges. Mounting hardware included.

Color: Black

Weight: 6.1 lbs

Project:

Type:

Prepared By:

Date:

Driver Info

Type	Constant Current
120V	0.08A
208V	0.06A
240V	0.05A
277V	0.05A
Input Watts	9.4W

LED Info

Watts	10W
Color Temp	4000K (Neutral)
Color Accuracy	83 CRI
L70 Lifespan	100,000 Hours
Lumens	754 lm
Efficacy	80.2 lm/W

Technical Specifications

Lightcloud

Lightcloud Controller Installed:

[LCLC/K](#)

Fixture, Zone, and plug-load control from one powerful device. Capable of switching, 0-10V dimming, power monitoring. Can also be used to extend the range of the Lightcloud mesh network. Attach to fixture, junction box, or electrical panel. [Learn more about Lightcloud.](#)

Compliance

UL Listed:

Suitable for damp locations. Recommended for indoor use only.

IESNA LM-79 & lm-80 Testing:

RAB LED luminaires and LED components have been tested by an independent laboratory in accordance with IESNA lm-79 and lm-80

Electrical

Drivers:

120 - 277V, 0 - 10V dimming down to 10%, 93.7% power factor, 1 kV surge protection

Dimming Driver:

Driver includes dimming control wiring for 0-10V dimming systems. Requires separate 0-10V DC dimming circuit. Dims down to 10%.

Electrical Connection:

Includes 5 conductor 300V rated 12' long electrical cable

Optical

Reflector:

40° reflector

Aperture:

2.5"

Construction

Housing:

Precision extruded aluminum

Lens:

High-transmission, microprismatic acrylic lens for smooth light distribution and uniformity

Finish:

Formulated for high durability and long-lasting color

Green Technology:

Mercury and UV free. RoHS-compliant components.

Mounting:

12' of aircraft cable provided with cable grippers for easy adjustment after installation

LED Characteristics

LEDs:

Discrete LEDs on PCB board

Color Consistency:

3-step MacAdam Ellipse binning to achieve consistent fixture-to-fixture color

Color Stability:

LED color temperature is warranted to shift no more than 200K in color temperature over a 5-year period

Color Uniformity:

RAB's range of Correlated Color Temperature follows the guidelines of the American National Standard for Specifications for the Chromaticity of Solid State Lighting (SSL) Products, ANSI C78.377-2017.

Performance

Lifespan:

100,000-Hour LED lifespan based on IES LM-80 results and TM-21 calculations

Technical Specifications (continued)

Other

Warranty:

RAB warrants that our LED products will be free from defects in materials and workmanship for a period of five (5) years from the date of delivery to the end user, including coverage of light output, color stability, driver performance and fixture finish. RAB's warranty is subject to all terms and conditions found at rablighting.com/warranty.

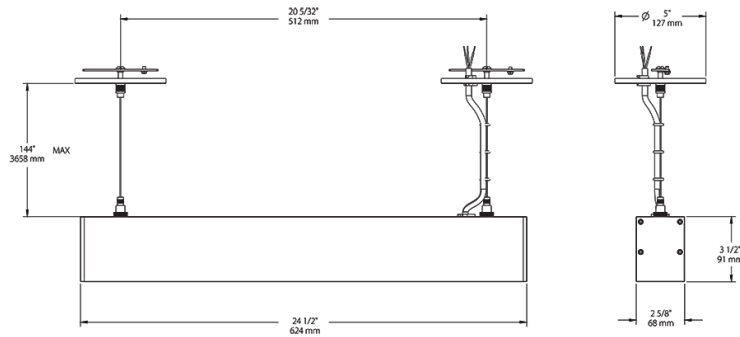
Special Order:

Available in 6-8 weeks by special request

Buy American Act Compliance:

RAB values USA manufacturing! Upon request, RAB may be able to manufacture this product to be compliant with the Buy American Act (BAA). Please contact customer service to request a quote for the product to be made BAA compliant.

Dimensions



Features

All mounting hardware included:

12 foot aircraft cables, ceiling canopies and height adjusting cable grippers.

3-step binning for color consistency

0-10V dimming, standard

100,000-Hour LED lifespan

Ordering Matrix

Family	Length	Mounting	Wattage (5W/ft or 10W/ft)	Driver	Optics	Color Temp	Finish	Lightcloud	Battery Backup						
BOA	-	2	P	-	10	D10	-	40	-	N	-	B	-	/LC	
	2 = 2 ft 4 = 4 ft 6 = 6 ft ¹ 8 = 8 ft 10 = 10 ft 12 = 12 ft ¹	S = Surface P = Pendant	10 = 2FT 5W/FT 20 = 2FT 10W/FT or 4FT 5W/FT 30 = 6FT 5W/FT 40 = 4FT 10W/FT or 8FT 5W/FT 50 = 10FT 5W/FT 60 = 6FT 10W/FT or 12FT 5W/FT 80 = 8FT 10W/FT 100 = 10FT 10W/FT 120 = 12FT 10W/FT	D10 = 0-10V Dimming	40 = 40 degrees reflector	N = 4000K Neutral YN = 3500K Warm Neutral Y = 3000K Warm	W = Matte White S = Matte Silver B = Matte Black ²	Blank = No Lightcloud® /LC = Lightcloud® Controller	Blank = No Battery Backup /E2 = Battery Backup						

¹ 6, 10 and 12 foot lengths available by special request.

² Matte Black finish color available by special request.