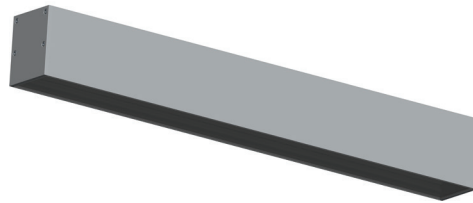


BOA SURFACE INSTALLATION INSTRUCTIONS



Thank you for buying RAB lighting fixtures. Our goal is to design the best quality products to get the job done right. We'd like to hear your comments. Call the Marketing Department at 888-RAB-1000 or email: marketing@rabweb.com



IMPORTANT

READ CAREFULLY BEFORE INSTALLING FIXTURE. RETAIN THESE INSTRUCTIONS FOR FUTURE REFERENCE.

RAB fixtures must be wired in accordance with the National Electrical Code and all applicable local codes. Proper grounding is required for safety. THIS PRODUCT MUST BE INSTALLED IN ACCORDANCE WITH THE APPLICABLE INSTALLATION CODE BY A PERSON FAMILIAR WITH THE CONSTRUCTION AND OPERATION OF THE PRODUCT AND THE HAZARDS INVOLVED.

Make certain power is OFF before installing or maintaining fixture.

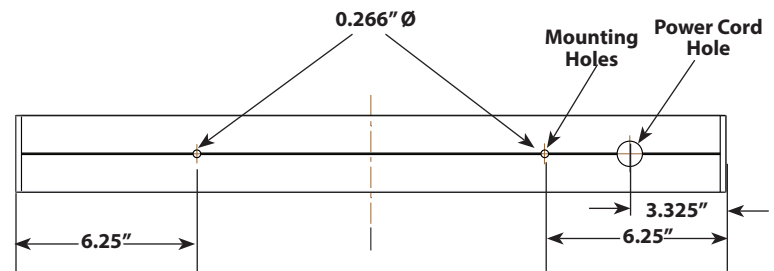
SAFETY INSTRUCTIONS

WARNING: Risk of fire or electric shock. Suitable for Damp locations. Do not handle energized fixture when hands are wet, when standing on wet or damp surfaces, or in water. Minimum 75° supply conductors. Fixture to be independently supported to building structure.

MOUNTING FIXTURE TO SURFACE

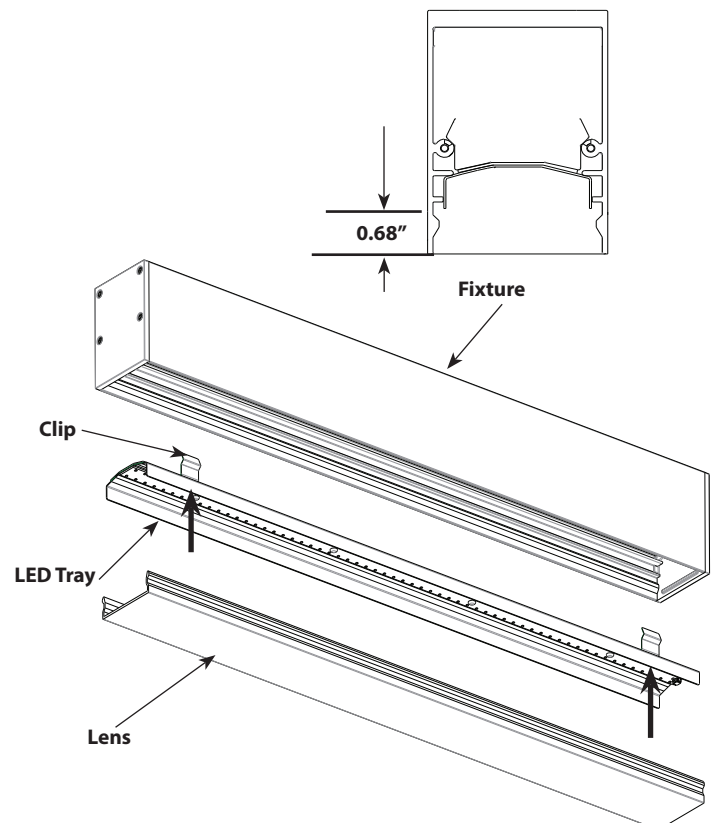
The fixture is suitable for SURFACE MOUNT ONLY.

1. Prepare the mounting surface. The knockout for the supply wire is 3.325" from edge. The 0.25" clearance Mounting Holes are 6.25" from end caps.
2. Slide the supply wire through knockout. Mount the **Fixture** to the surface with appropriate hardware (not provided).
3. Connect the wires as shown in wiring diagram.



MOUNTING FINISHING SECTION

1. Connect the **LED tray** to the driver. [For 6ft & 10ft finishing section, connect the 4ft and 2ft LED gear tray (reflector + LED board) to the correct drivers with respectively labeled "Driver for 2ft Gear Tray" and "Driver for 4ft Gear Tray".]
2. Place the **LED tray** on the **Fixture** and press it against the "PUSH HERE" sticker. Be sure the **LED tray** is placed all the way in so it measures 5/8" from reflector to the outer rim of **Fixture**.
3. Push press the **Lens** on the **Fixture**. Be sure the **Lens** is flush with the surface.



BOA SURFACE INSTALLATION INSTRUCTIONS

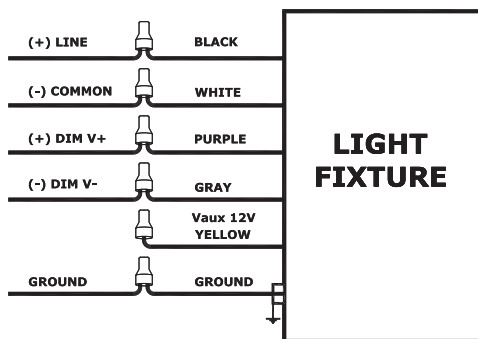


Thank you for buying RAB lighting fixtures. Our goal is to design the best quality products to get the job done right. We'd like to hear your comments. Call the Marketing Department at 888-RAB-1000 or email: marketing@rabweb.com

0-10V DIMMABLE WIRING

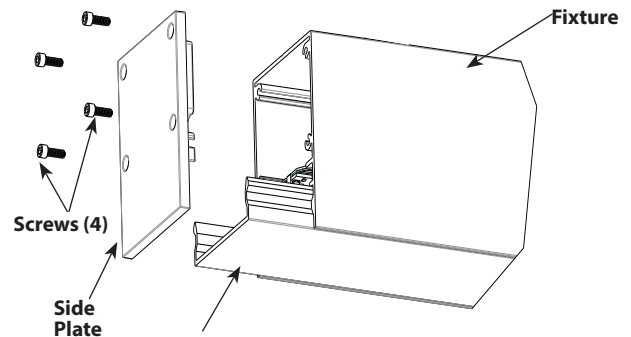
Universal voltage driver permits operation at 120V thru 277V, 50 or 60 Hz. For 0-10V Dimming, follow the wiring directions as shown below.

1. Connect the black fixture lead to the (+) LINE supply lead.
2. Connect the white fixture lead to the (-) COMMON supply lead.
3. Connect the GROUND wire from fixture to supply ground. Do NOT connect the GROUND of the dimming fixture to the output.
4. Connect the purple fixture lead to the (V+) DIM lead.
5. Connect the gray fixture lead to the (V-) DIM lead.
6. Cap the yellow fixture lead. Do NOT connect.



LENS REPLACEMENT

1. To remove the installed lens, unscrew the four **screws** of **Side Plate** and remove the side plate.
2. Slide out the **Lens** from the side.
3. Insert the new **Lens** and close the **Side Plate** with screws.



CLEANING & MAINTENANCE

CAUTION: Be sure fixture temperature is cool enough to touch. Do not clean or maintain while fixture is energized.

1. Clean acrylic lens & fixture with non-abrasive cleaning solution.
2. Do not open fixture to clean the LEDs. Do not touch the LEDs.

TROUBLESHOOTING

1. Check that the line voltage at fixture is correct. Refer to wiring directions.
2. Is the fixture grounded properly?

ACCESSORIES

Replacement lens can be ordered separately

- LBOA2 - 2ft replacement lens
- LBOA4 - 4ft replacement lens
- LBOA6 - 6ft replacement lens
- LBOA8 - 8ft replacement lens
- LBOA10 - 10ft replacement lens
- LBOA12 - 12ft replacement lens

Note: These instructions do not cover all details or variations in equipment nor do they provide for every possible situation during installation, operation or maintenance.



Easy Installation & Product Help

Tech Help Line
Call our experts 888 RAB-1000

rabweb.com
Visit our website for product info

email
Answered promptly sales@rabweb.com