

INSTRUCTIONS

BLED® 10W 13W 20W INSTALLATION

RAB®

RAB Lighting is committed to creating high-quality, affordable, well-designed and energy-efficient LED lighting and controls that make it easy for electricians to install and end users to save energy. We'd love to hear your comments. Please call the Marketing Department at 888-RAB-1000 or email: marketing@rablighting.com



IMPORTANT

READ CAREFULLY BEFORE INSTALLING FIXTURE. RETAIN THESE INSTRUCTIONS FOR FUTURE REFERENCE.

RAB fixtures must be wired in accordance with the National Electrical Code and all applicable local codes. Proper grounding is required for safety. THIS PRODUCT MUST BE INSTALLED IN ACCORDANCE WITH THE APPLICABLE INSTALLATION CODE BY A PERSON FAMILIAR WITH THE CONSTRUCTION AND OPERATION OF THE PRODUCT AND THE HAZARDS INVOLVED.

WARNING: Make certain power is OFF before installing or maintaining fixture. No user serviceable parts inside.

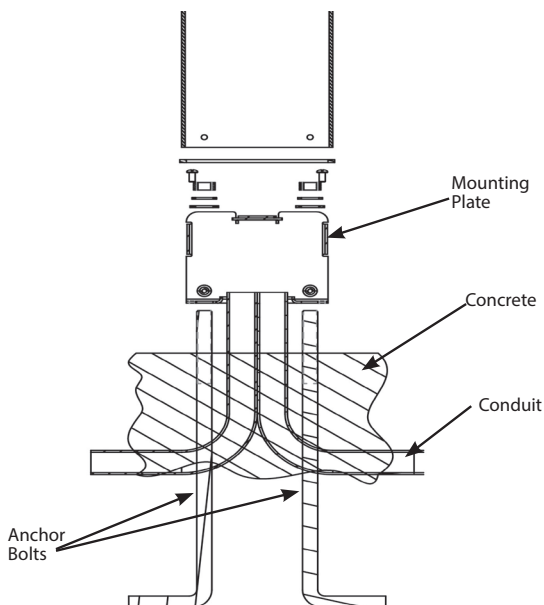
LOCATION

1. The bollard should be mounted to a firm level surface.
2. Anchor bolts may be used in new concrete installations. Use the provided template.
3. For all other applications use anchors suitable for the mounting surface.

ANCHOR BOLTS INSTALLATION

CAUTION: Install according to all applicable local codes.

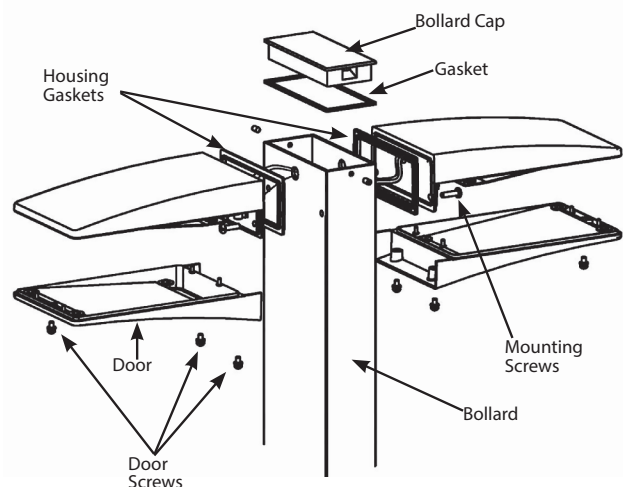
1. Install (2) **Anchor Bolts** in concrete foundation (*by others*) using the template provided. **Mounting Plate** may be used as template. **Anchor Bolts** should protrude no more than 3".



MOUNTING FIXTURES

Depending on your model one or two fixtures can be mounted to each bollard.

1. Loosen (3) **Door Screws** and remove the **Door**.
2. Use the (2) #10-24 x 3/4" **Mounting Screws** to thread into the **Bollard** extrusion.
3. Use the nuts and lockwashers provided to secure the screws from inside the **Bollard**. Tighten securely.
4. Make sure the **Housing Gaskets** are properly positioned.
5. Make electrical connections from the supply wires to the fixtures using approved connectors. Strain relief the wires.
6. Replace the **Door**. Tighten **Screws**.
7. Install the **Bollard Cap** and **Gasket** and tighten the (2) set screws.



INSTRUCTIONS

BLED® 10W 13W 20W INSTALLATION

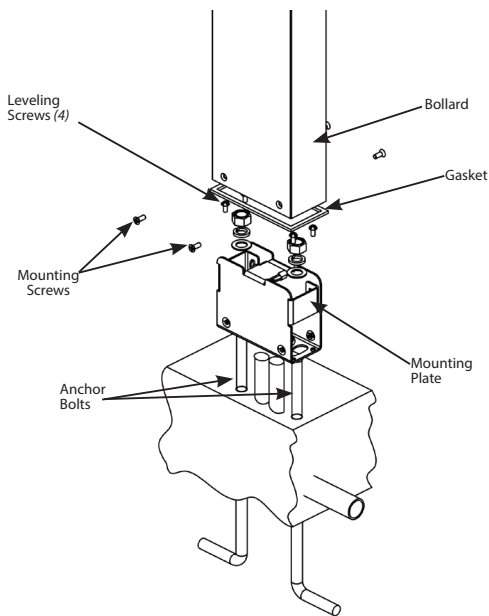


RAB Lighting is committed to creating high-quality, affordable, well-designed and energy-efficient LED lighting and controls that make it easy for electricians to install and end users to save energy. We'd love to hear your comments. Please call the Marketing Department at 888-RAB-1000 or email: marketing@rablighting.com

MOUNTING PLATE

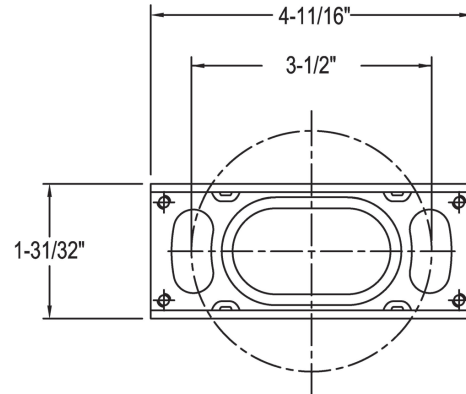
Assemble fixture(s) to **Bollard** before mounting the **Bollard** to the **Mounting Plate**.

1. Place the **Mounting Plate** over **Anchor Bolts**.
2. Use **Leveling Screws (4)** or shims to level the **Mounting Plate**.
3. Tighten assembly using the washers, lockwashers and nuts provided.
4. Make sure supply leads extend far enough to make fixture connections.
5. Slide **Gasket** down around the bottom of the **Mounting Plate**.
6. Use the (4) **Mounting Screws** to mount the **Bollard** to the **Mounting Plate**. Tighten securely.



MOUNTING PLATE DIMENSIONS

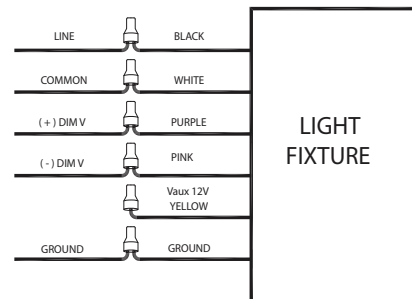
NOT ACTUAL SIZE. Use dimensions. Use mounting plate as a template when possible.



0-10V DIMMABLE WIRING

Universal voltage driver permits operation at 120V through 277V, 50 or 60 Hz. For 0-10V dimming follow the wiring directions shown below.

1. Connect the black fixture lead to the **LINE** supply lead.
2. Connect the white fixture lead to the **COMMON** supply lead.
3. Connect the **GROUND** wire from fixture to supply ground.
Do NOT connect the **GROUND** of the dimming fixture to the output.
4. Connect the purple fixture lead to the (V+) DIM lead.
5. Connect the pink fixture lead to the (V-) DIM lead.
6. Cap the yellow fixture lead, if present. Do NOT connect.



CLEANING & MAINTENANCE

CAUTION: Be sure fixture temperature is cool enough to touch. Do not clean or maintain while fixture is energized.

1. Clean glass lens with non-abrasive glass cleaning solution.
2. Do not open the fixture to clean the LED. Do not touch the LED.

Note: These instructions do not cover all details or variations in equipment nor do they provide for every possible situation during installation, operation or maintenance.



Easy Answers

rablighting.com
Visit our website for product info

Tech Help Line
Call our experts: 888 722-1000

e-mail
Answered promptly - sales@rablighting.com

Free Lighting Layouts
Answered online or by request