

# INSTRUCTIONS

## BAYLED® AISLED® 78W 104W INSTALLATION



RAB Lighting is committed to creating high-quality, affordable, well-designed and energy-efficient LED lighting and controls that make it easy for electricians to install and end users to save energy. We'd love to hear your comments. Please call the Marketing Department at 888-RAB-1000 or email: [marketing@rablighting.com](mailto:marketing@rablighting.com)



### IMPORTANT

#### READ CAREFULLY BEFORE INSTALLING FIXTURE. RETAIN THESE INSTRUCTIONS FOR FUTURE REFERENCE.

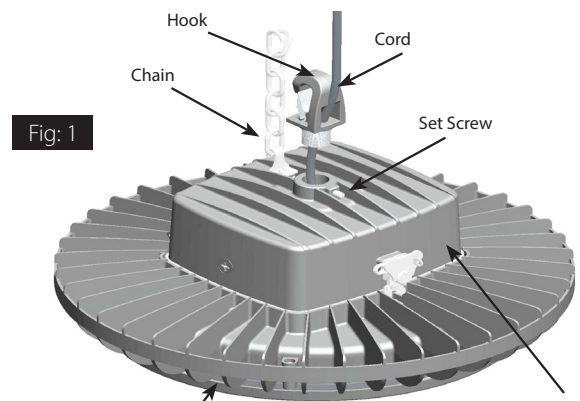
RAB fixtures must be wired in accordance with the National Electrical Code and all applicable local codes. Proper grounding is required for safety. THIS PRODUCT MUST BE INSTALLED IN ACCORDANCE WITH THE APPLICABLE INSTALLATION CODE BY A PERSON FAMILIAR WITH THE CONSTRUCTION AND OPERATION OF THE PRODUCT AND THE HAZARDS INVOLVED.

**WARNING:** Make certain power is OFF before installing or maintaining fixture. No user serviceable parts inside.

**CAUTION:** For Aisle fixtures, orient the fixture as indicated by the label "←AISLE ORIENTATION→" on the product. SILICONE ALL PLUGS AND UNUSED CONDUIT ENTRIES FOR WEATHER PROOF SEALING.

### FIXTURE MOUNTING

1. Thread **Hook** into the **Wiring Box**.
2. Unlatch and open the **Wiring Box** and slide **Cord** through the **Hook**.
3. Mount **Housing** with **Hook** to a sturdy ceiling structure.
4. Connect **Cord** to supply wires inside a junction box using approved wire connectors.
5. Use **Chain** for supplemental support while installing the fixture.
6. Tighten **Hook** with **Set Screw**.

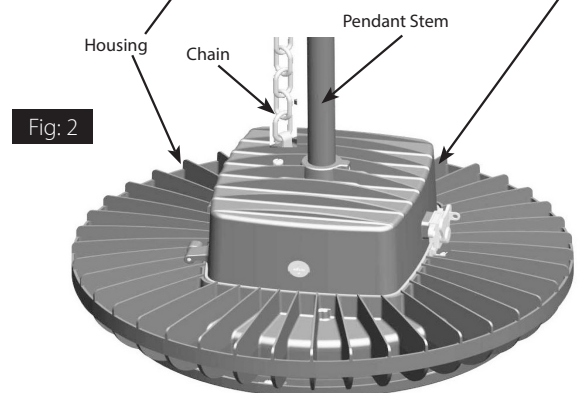


### FOR PENDANT MOUNTING

*(3/4" NPS Pendant Stem not supplied)*

**CAUTION:** Suitable for WET LOCATION with pendant stem

1. Choose pendant length and feed **Cord** through **Pendant Stem**. If longer cord is required, replace the **Cord** with the appropriate length wires.
2. For wet locations wrap threads on **Pendant Stem** with teflon tape and silicone gel. Screw the **Pendant Stem** to the **Wiring Box**. Tighten **Set Screw**.
3. Connect supply wires to fixture wires inside a junction box using approved wire connectors.
4. Use **Chain** for supplemental support of the fixture.



# INSTRUCTIONS

## BAYLED® AISLED® 78W 104W INSTALLATION



RAB Lighting is committed to creating high-quality, affordable, well-designed and energy-efficient LED lighting and controls that make it easy for electricians to install and end users to save energy. We'd love to hear your comments. Please call the Marketing Department at 888-RAB-1000 or email: [marketing@rablighting.com](mailto:marketing@rablighting.com)

### GUARD OR SHIELD INSTALLATION

Wire Guard and Poly Shield mount with (4) #8-32 stainless-steel Screws. Screws are provided with the accessory. See Fig. 3 for Guard. See Fig. 4 for Shield.

1. Line up Guard or Shield with existing pre-drilled holes in frame as shown, tighten screws.

Fig: 3

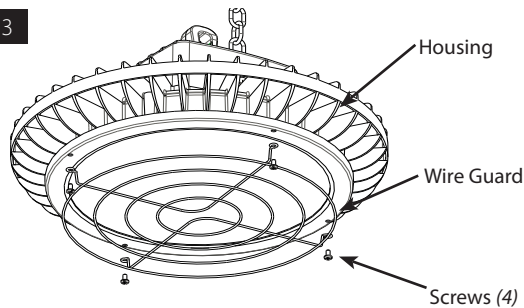
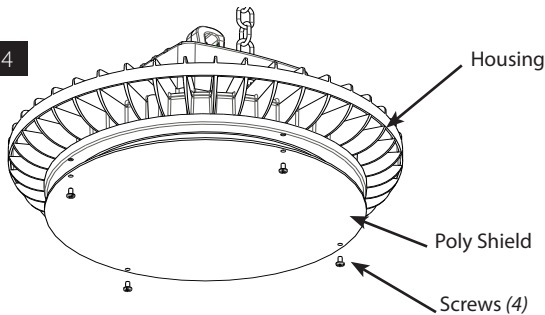


Fig: 4



### ACCESSORIES

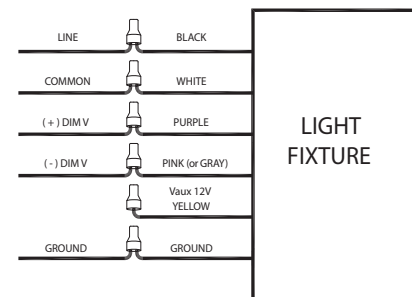
|                          |             |
|--------------------------|-------------|
| Chrome Wire Guard:       | GDBAYLED78W |
| Poly Shield:             | GDBAYLED78P |
| Lens & Door Replacement: | LFBAYLED78W |
| Occupancy Sensor:        | LOSBAY800   |
| Sensor mounting Kit:     | LOSBAYMK    |

### 0-10V DIMMABLE WIRING

Universal voltage driver permits operation at 120V thru 277V, 50 or 60 Hz. A 5-wire cord is provided. For 0-10V Dimming follow the wiring directions as shown in Fig. 5.

1. Connect the black fixture lead to the (+) **LINE** supply lead.
2. Connect the white fixture lead to the (-) **COMMON** supply lead.
3. Connect the **GROUND** wire from fixture to supply ground. Do NOT connect the **GROUND** of the dimming fixture to the output.
4. Connect the purple fixture lead to the (V+) DIM lead.
5. Connect the pink (or gray) fixture lead to the (V-) DIM lead.
6. Cap the yellow fixture lead, if present. Do NOT connect.

Fig: 5



### CLEANING & MAINTENANCE

**CAUTION:** Be sure fixture temperature is cool enough to touch. Do not clean or maintain while fixture is energized.

1. Clean glass lens with non-abrasive glass cleaning solution.
2. Do not open the fixture to clean the LED. Do not touch the LED.

### TROUBLESHOOTING

1. Check that the line voltage at the fixture is correct. Refer to wiring directions.
2. Is the fixture grounded properly?

*Note: These instructions do not cover all details or variations in equipment nor do they provide for every possible situation during installation, operation or maintenance.*



© 2021 RAB LIGHTING Inc.

#### Easy Answers

[rablighting.com](http://rablighting.com)  
Visit our website for product info

Tech Help Line  
Call our experts: 888 722-1000

e-mail  
Answered promptly - [sales@rablighting.com](mailto:sales@rablighting.com)

Free Lighting Layouts  
Answered online or by request