

104W LED high bay fixture with over 10,000 lumens. Reduces energy consumption by up to 70%. Ideal for large spaces, including warehouses, gymnasiums, and distribution centers. Includes built in support for Lightcloud, RAB's commercial wireless lighting control system. Lightcloud is a commercial wireless lighting control system and service fully developed and supported by RAB. It's powerful and flexible, yet easy to use and install.

Color: White

Weight: 21.0 lbs

| | |
|---------------------|--------------|
| Project: | Type: |
| Prepared By: | Date: |

| Driver Info | | LED Info | |
|-------------|------------------|----------------|---------------|
| Type | Constant Current | Watts | 104W |
| 120V | 1.03A | Color Temp | 3000K (Warm) |
| 208V | 0.65A | Color Accuracy | 72 CRI |
| 240V | 0.56A | L70 Lifespan | 100,000 Hours |
| 277V | 0.49A | Lumens | 14,773 lm |
| Input Watts | 121.9W | Efficacy | 121.2 lm/W |

Technical Specifications

Lightcloud

Lightcloud Controller Installed:

Integrated/embedded networked lighting control, luminaire-level lighting control. Fixture, Zone, and plug-load control from one powerful device. LLLC - capable of switching, 0-10V dimming, power/energy monitoring. Can also be used to extend the range of the Lightcloud mesh network communication protocols. Offers the capability to set the maximum light output to a less-than-maximum state of an individual luminaire at the time of installation or commissioning. The High-End trim functionality is field reconfigurable via the Lightcloud mesh network communication protocols. The Lightcloud controller can be attached to the fixture, junction box, or electrical panel.

DLC system - N1XMLOEATBA
[Learn more about Lightcloud.](#)

Electrical

Drivers:

Constant Current, 800mA, Class 2 with 6 kV surge protection, 100-277VAC, 50/60 Hz

Dimming Driver:

Driver includes dimming control wiring for 0-10V dimming systems. Requires separate 0-10V DC dimming circuit. Dims down to 10%.

THD:

9.8% at 120V, 10.04% at 277V

Power Factor:

99.3% at 120V, 93.6% at 277V

Compliance

UL Listed:

Suitable for damp locations with cord and hook.
 Suitable for wet locations with 3/4" pendant stem.

DLC Listed:

This product is on the Design Lights Consortium (DLC) Qualified Products List and is eligible for rebates from DLC Member Utilities. Designed to meet DLC 5.1 requirements.
 DLC Product Code: PWZF0IRS

LED Characteristics

LEDs:

Multi-chip, high-output, long-life LEDs

Color Consistency:

3-step MacAdam Ellipse binning to achieve consistent fixture-to-fixture color

Color Stability:

LED color temperature is warranted to shift no more than 200K in color temperature over a 5-year period

Color Uniformity:

RAB's range of Correlated Color Temperature follows the guidelines of the American National Standard for Specifications for the Chromaticity of Solid State Lighting (SSL) Products, ANSI C78.377-2017.

Performance

Lifespan:

100,000-Hour LED lifespan based on IES LM-80 results and TM-21 calculations

Wattage Equivalency:

Replaces 320W Metal Halide

Construction

Ambient Temperature:

Suitable for use in up to 55°C (131°F)

Thermal Management:

Superior heat sinking with external Air-Flow fins

Housing:

Precision die-cast aluminum housing and door frame with 3-foot 600V power cord

Recommended Mounting Height:

30 ft

Lens:

Tempered glass

Technical Specifications (continued)

Reflector:

Specular vacuum metallized polycarbonate

Gaskets:

High-temperature silicone

Finish:

Our environmentally friendly polyester powder coatings are formulated for high-durability and long-lasting color

Green Technology:

Mercury and UV free. RoHS-compliant components.

Other

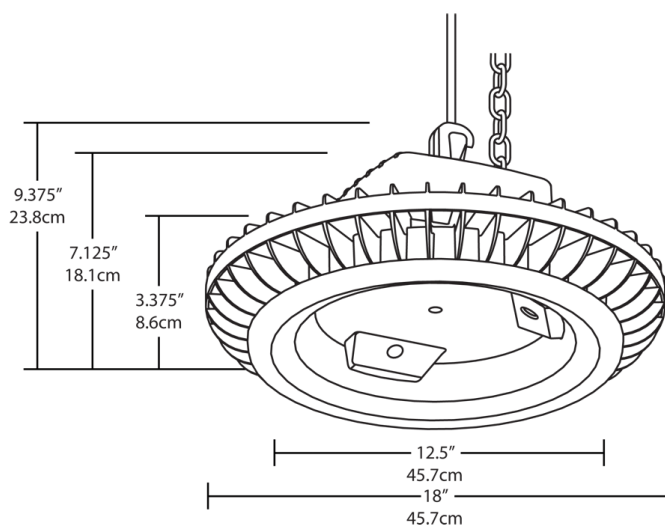
Warranty:

RAB warrants that our LED products will be free from defects in materials and workmanship for a period of five (5) years from the date of delivery to the end user, including coverage of light output, color stability, driver performance and fixture finish. RAB's warranty is subject to all terms and conditions found at rablighting.com/warranty.

Buy American Act Compliance:

RAB values USA manufacturing! Upon request, RAB may be able to manufacture this product to be compliant with the Buy American Act (BAA). Please contact customer service to request a quote for the product to be made BAA compliant.

Dimensions



Features

- High output, high efficiency LED high bay
- Bi-level and dimming models available when installed with pendant by others
- Polysield and wire guard accessories available for additional protection
- 100,000-hour lifespan
- 5-Year, No-Compromise Fixture Warranty and 10-Year, No-Compromise Lightcloud Warranty
- Built in support Lightcloud™
- Easy setup - simply power on, confirm device connectivity and call 844-LIGHTCLOUD

Ordering Matrix

| Family | Wattage | Color Temp | Finish | Options | Other Options |
|--------|------------------------|---|-----------|--|---|
| BAYLED | 104 | Y | W | /D10/LC | |
| | 78 = 78W 104 = 104W | Blank = 5100K Cool N = 4000K Neutral Y = 3000K Warm | W = White | Blank = No Option /BL = Bi-Level /D10 = 0-10V Dimming /D10/LC = 0-10V Dimming w/ Lightcloud® Controller | Blank = Standard USA = BAA Compliant |