

104W LED high bay fixture with over 10,000 lumens. Reduces energy consumption by up to 70%. Ideal for large spaces, including warehouses, gymnasiums, and distribution centers.

Color: White

Weight: 27.3 lbs

<b>Project:</b>	<b>Type:</b>
<b>Prepared By:</b>	<b>Date:</b>

Driver Info		LED Info	
Type	Constant Current	Watts	104W
120V	1.03A	Color Temp	5100K (Cool)
208V	0.65A	Color Accuracy	72 CRI
240V	0.56A	L70 Lifespan	100,000 Hours
277V	0.49A	Lumens	14,942 lm
Input Watts	121.2W	Efficacy	123.3 lm/W

## Technical Specifications

### Other

#### BAYLED104W with Bi-Level Operation:

Allows 50% and 100% output modes

#### Buy American Act Compliance:

RAB values USA manufacturing! Upon request, RAB may be able to manufacture this product to be compliant with the Buy American Act (BAA). Please contact customer service to request a quote for the product to be made BAA compliant.

### Compliance

#### UL Listed:

Suitable for damp locations with cord and hook.  
Suitable for wet locations with 3/4" pendant stem.

#### DLC Listed:

This product is on the Design Lights Consortium (DLC) Qualified Products List and is eligible for rebates from DLC Member Utilities. Designed to meet DLC 5.1 requirements.  
DLC Product Code: POLL8UY9

### LED Characteristics

#### LEDs:

Multi-chip, high-output, long-life LEDs

#### Color Consistency:

3-step MacAdam Ellipse binning to achieve consistent fixture-to-fixture color

#### Color Stability:

LED color temperature is warrantied to shift no more than 200K in color temperature over a 5-year period

#### Color Uniformity:

RAB's range of Correlated Color Temperature follows the guidelines of the American National Standard for Specifications for the Chromaticity of Solid State Lighting (SSL) Products, ANSI C78.377-2017.

### Performance

#### Lifespan:

100,000-Hour LED lifespan based on IES LM-80 results and TM-21 calculations

#### Wattage Equivalency:

Replaces 320W Metal Halide

### Construction

#### Ambient Temperature:

Suitable for use in up to 55°C (131°F)

#### Thermal Management:

Superior heat sinking with external Air-Flow fins

#### Housing:

Precision die-cast aluminum housing and door frame with 3-foot 600V power cord

#### Mounting:

Heavy-duty 3/4" NPS hook and 3-foot safety chain; is also 3/4" pendant mount-capable (pendant by others)

#### Recommended Mounting Height:

30 ft

#### Lens:

Tempered glass

#### Reflector:

Specular vacuum metallized polycarbonate

#### Gaskets:

High-temperature silicone

#### Finish:

Our environmentally friendly polyester powder coatings are formulated for high-durability and long-lasting color

#### Green Technology:

Mercury and UV free. RoHS-compliant components.

### Electrical

#### Drivers:

Constant Current, 800mA, Class 2 with 6 kV surge protection, 100-277VAC, 50/60 Hz

## Technical Specifications (continued)

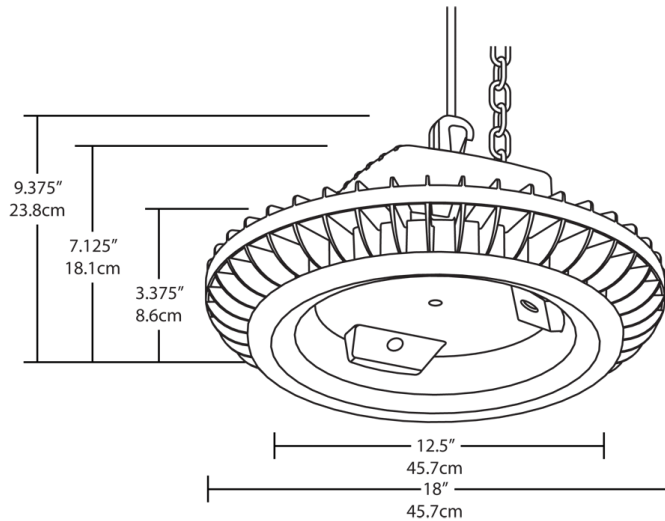
### THD:

7.87% at 120V, 10.18% at 277V

### Power Factor:

99.5% at 120V, 93.4% at 277V

## Dimensions



## Features

- High output, high efficiency LED high bay
- Bi-level and dimming models available when installed with pendant by others
- Polysield and wire guard accessories available for additional protection
- 100,000-hour lifespan
- 5-Year, No-Compromise Warranty

## Ordering Matrix

Family	Wattage	Color Temp	Finish	Options	Other Options
BAYLED	104		W	/BL	
	78 = 78W 104 = 104W	Blank = 5100K Cool N = 4000K Neutral Y = 3000K Warm	W = White	Blank = No Option /BL = Bi-Level /D10 = 0-10V Dimming /D10/LC = 0-10V Dimming w/ Lightcloud® Controller	Blank = Standard USA = BAA Compliant