



Adapters.

Color: Bronze

Weight: 14.7 lbs

Project:

Type:

Prepared By:

Date:

Technical Specifications

Construction

Finish:

Formulated for high durability and long-lasting color

Adapter:

3/16" thick steel

Performance

Description:

Internal Tenon Adapter Square Pole designed to fit 6" square poles. [See Pole Page.](#)

Other

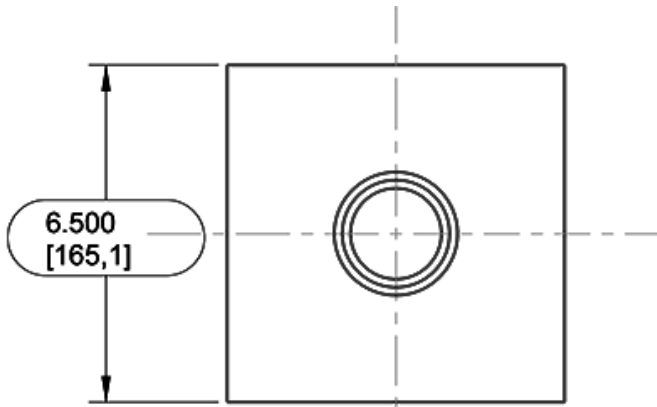
Patents:

The designs of fixtures are protected under U.S. and international intellectual property laws.

Buy American Act Compliance:

RAB values USA manufacturing! Upon request, RAB may be able to manufacture this product to be compliant with the Buy American Act (BAA). Please contact customer service to request a quote for the product to be made BAA compliant.

Dimensions



RAB PART NO. - BAD6 (FOR 6" SQUARE POLE)
UTILIT METALS PART NO - RTASQ-6-2RAB

