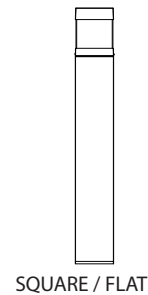
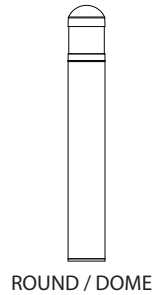
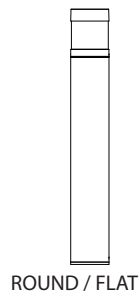


INSTRUCTIONS

FIELD-ADJUSTABLE B17™ INSTALLATION

RAB®

RAB Lighting is committed to creating high-quality, affordable, well-designed and energy-efficient LED lighting and controls that make it easy for electricians to install and end users to save energy. We'd love to hear your comments. Please call the Marketing Department at 888-RAB-1000 or email: marketing@rablighting.com



IMPORTANT

READ CAREFULLY BEFORE INSTALLING FIXTURE. RETAIN THESE INSTRUCTIONS FOR FUTURE REFERENCE.

All fixtures must be wired in accordance with the National Electrical Code and all applicable local codes. Proper grounding is required for safety. THIS PRODUCT MUST BE INSTALLED IN ACCORDANCE WITH THE APPLICABLE INSTALLATION CODE BY A PERSON FAMILIAR WITH THE CONSTRUCTION AND OPERATION OF THE PRODUCT AND THE HAZARDS INVOLVED.

WARNING: Make certain power is OFF before installing or maintaining fixture. No user serviceable parts inside.

WARNING: Must be installed on a level surface, above grade.

CAUTION: Do not use any supply voltage other than 120-277V 50/60 Hz.

Suitable for mounting 1.2m (4ft) of the ground.

Suitable for operation in ambient not exceeding 55°C.

LOCATION

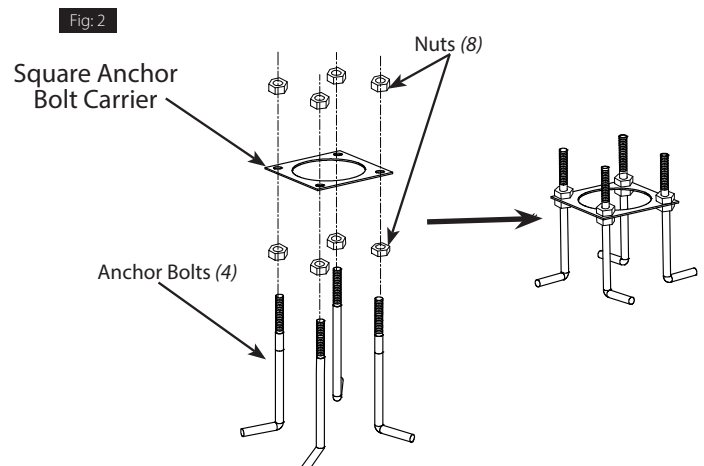
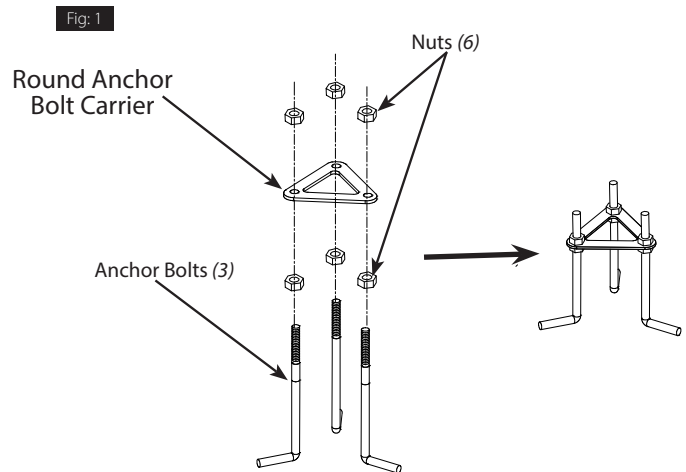
CAUTION: Before mounting, make sure to align **Bollard Base** in the orientation that will result in the desired **Bollard** fixture orientation. Suitable for wet locations.

1. The **Bollard** should be mounted to a firm level surface.
2. **Anchor Bolts** may be used in new concrete installations.
3. For all other applications use anchors suitable for the mounting surface.
4. **Mounting base must be above grade, minimum recommended is 1-1/2 inch.**

ANCHOR BOLT INSTALLATION

CAUTION: Install according to all applicable local codes.

Install **Anchor Bolts** in concrete foundation (*by others*) using the **Anchor Bolt Carrier** (*Fig 1 Round Bollard, Fig. 2 Square Bollard*) or templates provided (*Fig 15*). **Bollard Base** may also be used as the template. **Bolt Threads** should protrude from concrete about 1-1/2 inch (*Fig. 3*).



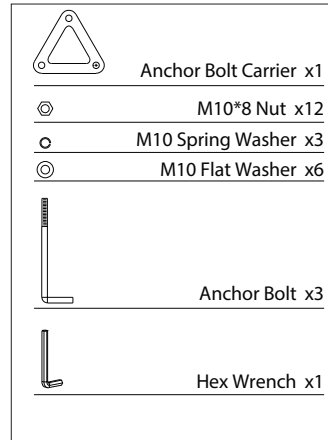
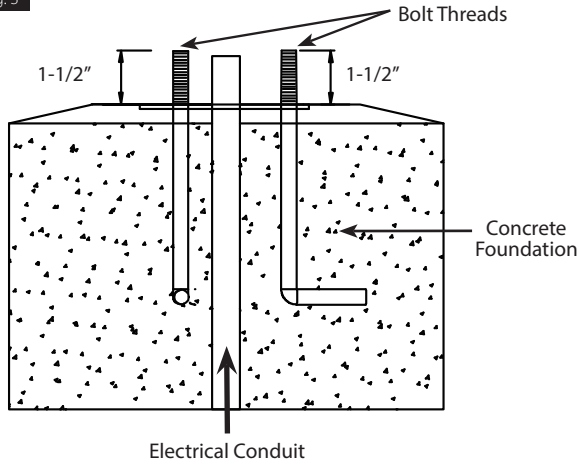
INSTRUCTIONS

FIELD-ADJUSTABLE B17™ INSTALLATION

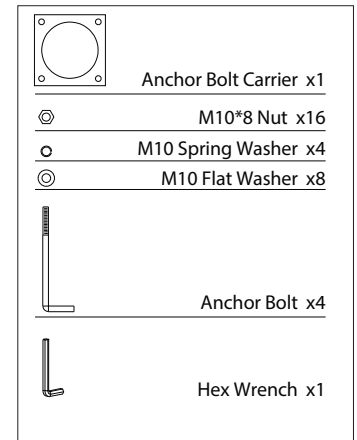


RAB Lighting is committed to creating high-quality, affordable, well-designed and energy-efficient LED lighting and controls that make it easy for electricians to install and end users to save energy. We'd love to hear your comments. Please call the Marketing Department at 888-RAB-1000 or email: marketing@rablighting.com

Fig: 3



Round Bollard Hardware



Square Bollard Hardware

BOLLARD BASE

1. Remove **Screws** at bottom of **Housing** to separate **Bollard Base** from **Housing** (Fig.4).
2. Place the **Bollard Base** over the **Anchor Bolts** (Fig. 5).
3. If leveling is required, additional washers (*not provided*) may be added under the **Mounting Base**.
4. Secure the **Mounting Base** to the foundation using provided hardware, Fig. 6.
5. Be sure supply leads extend far enough to make fixture connections. Make the wiring connections using **Terminal Block** or UL approved connectors.
6. Connect the fixture wires to the **Terminal Block**, see Fig. 6 and Fig. 7.
7. Slide the **Housing** onto the **Bollard Base** and secure with **Screws** (*provided*), Fig. 8.

Fig: 5

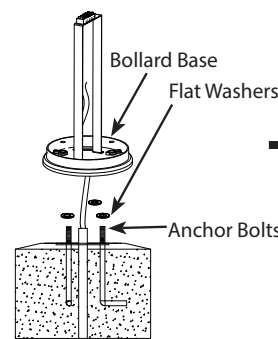


Fig: 6

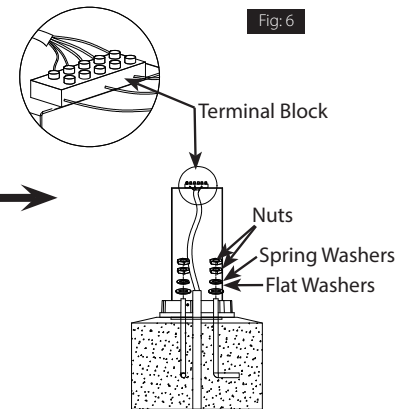


Fig: 4

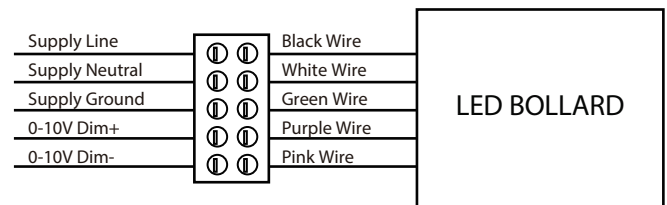
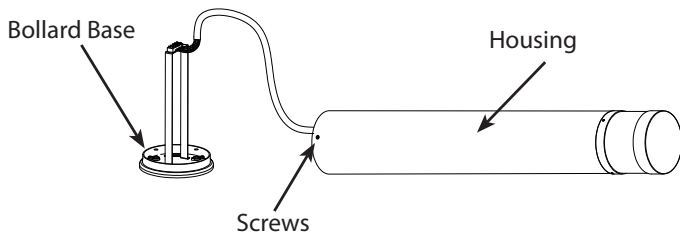
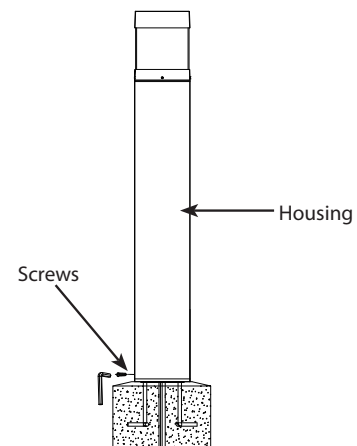


Fig: 7

Fig: 8



INSTRUCTIONS

FIELD-ADJUSTABLE B17™ INSTALLATION



RAB Lighting is committed to creating high-quality, affordable, well-designed and energy-efficient LED lighting and controls that make it easy for electricians to install and end users to save energy. We'd love to hear your comments. Please call the Marketing Department at 888-RAB-1000 or email: marketing@rablighting.com

FIELD ADJUSTMENT

Follow instructions below to change the **Fixture Power (W)**, **Color Temperature (CCT)** and/or **Photocell ON/OFF** position from factory settings:

(CAUTION: Do not switch under load. Turn power OFF before changing the Field Adjustment Switches.)

Factory Settings:

Power (W): 24W

Color Temperature (CCT): 4000K

Photocell: OFF

1. Remove **Screws** on the side of the **Housing** to loosen **Bollard Head** from **Housing** as shown in Fig. 9 for Round Bollard, Fig. 10 for Square Bollard.
2. For **Round Bollard** remove (2) **Field Adjust Switch Covers** located on the underside of the **Round Bollard Head** and remove to access **Field Adjust Switches** (Fig. 9).
3. For **Square Bollard** remove **Bollard Head** and locate **Field Adjust Switches** on top of **Housing** as shown in Fig.10.
3. Select **Power (W)**, **Color Temperature (CCT)** and/or **Photocell ON/OFF** option by sliding the respective switch to the desired value. See Fig. 11 for **Round Bollard**, see Fig 12 for **Square Bollard**. Replace Switch covers.
4. Replace **Bollard Head** onto **Housing** and secure with **Screws** Fig. 13.

Fig: 11

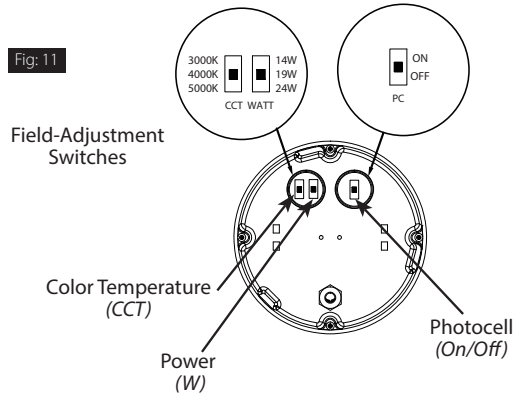


Fig: 12

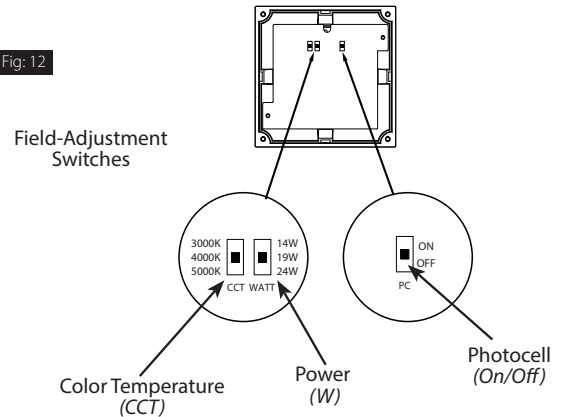


Fig: 9

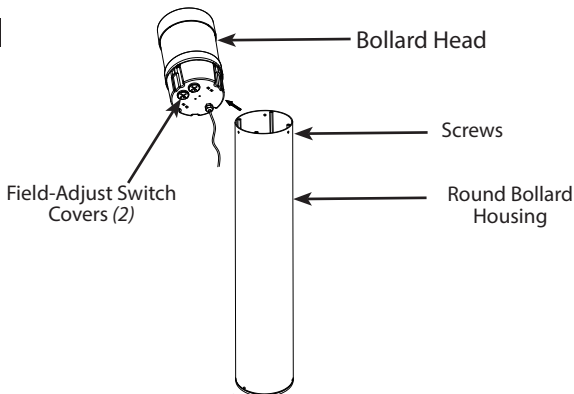


Fig: 10

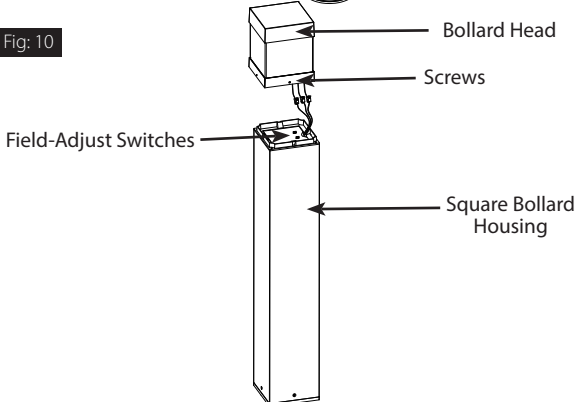
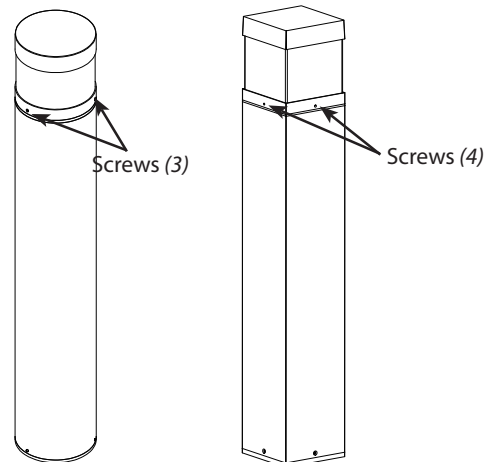


Fig: 13



INSTRUCTIONS

FIELD-ADJUSTABLE B17™ INSTALLATION

RAB®

RAB Lighting is committed to creating high-quality, affordable, well-designed and energy-efficient LED lighting and controls that make it easy for electricians to install and end users to save energy. We'd love to hear your comments. Please call the Marketing Department at 888-RAB-1000 or email: marketing@rablighting.com

0-10V DIMMABLE WIRING

Universal voltage driver permits operation at 120V through 277V, 50 or 60 Hz. For 0-10V dimming, follow the wiring directions as shown in Fig. 14.

1. Connect the black fixture lead to the **LINE** supply lead.
2. Connect the white fixture lead to the **COMMON** supply lead.
3. Connect the **GROUND** wire from fixture to supply ground. Do NOT connect the **GROUND** of the dimming fixture to the output.
4. Connect the purple fixture lead to the **(V+) DIM** lead.
5. Connect the pink fixture lead to the **(V-) DIM** lead.
6. Cap the yellow fixture lead, if present. Do NOT connect.

CLEANING & MAINTENANCE

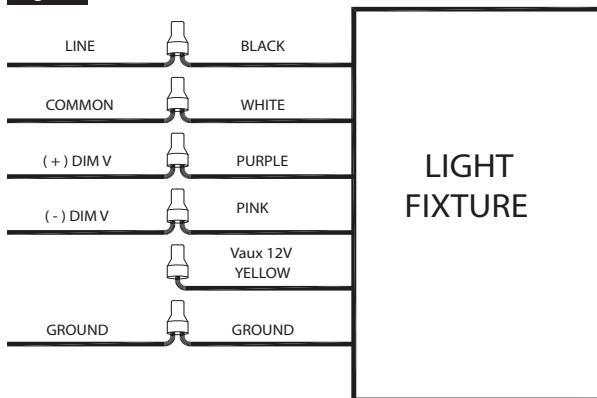
CAUTION: Be sure fixture temperature is cool enough to touch. Do not clean or maintain while fixture is energized.

1. Clean lens with a non-abrasive mild detergent.
2. Do not open fixture to clean the LED. Do not touch the LED.

TROUBLESHOOTING

1. Check that the line voltage at the fixture is correct. Refer to wiring directions.
2. Is the fixture grounded properly?

Fig: 14



Note: These instructions do not cover all details or variations in equipment nor do they provide for every possible situation during installation, operation or maintenance.

INSTRUCTIONS

FIELD-ADJUSTABLE B17™ INSTALLATION



RAB Lighting is committed to creating high-quality, affordable, well-designed and energy-efficient LED lighting and controls that make it easy for electricians to install and end users to save energy. We'd love to hear your comments. Please call the Marketing Department at 888-RAB-1000 or email: marketing@rablighting.com

ANCHOR BOLT TEMPLATE

Drawing is not to scale. Use the actual Anchor Bolt Carrier or the Mounting Base for positioning the Anchor Bolts.

Fig: 15

