

Project:	Type:
Prepared By:	Date:

Driver Info		LED Info	
Type	Constant Current	Watts	95W
120V	0.76A/0.52A/0.36A	Color Temp	4000/5000K
208V	0.46A/0.34A/0.23A	Color Accuracy	83-85 CRI
240V	0.40A/0.30A/0.20A	L70 Lifespan	100,000 Hours
277V	0.20A/0.16A/0.12A	Lumens	6,415-13,085 lm
Input Watts	42-90.2W	Efficacy	144.5-155.8 lm/W

Technical Specifications

Field Adjustability

Field Adjustable:

Field Adjustable Light Output:
95W with 3 Power Preset:
100% (95W), 75% (71W), and 50% (48W)
Color Temperature Selectable:
4000K and 5000K (factory default 4000K)

Compliance

UL Listed:

Suitable for damp locations

IESNA LM-79 & LM-80 Testing:

RAB LED luminaires and LED components have been tested by an independent laboratory in accordance with IESNA LM-79 and LM-80.

Trade Agreements Act Compliant:

This product is a product of Cambodia and a "designated country" end product that complies with the Trade Agreements Act

DLC Listed:

This product is listed by Design Lights Consortium (DLC) as an ultra-efficient premium product that qualifies for the highest tier of rebates from DLC Member Utilities. Designed to meet DLC 5.1 requirements.
DLC Product Code: S-19PC63

LED Characteristics

LEDs:

Long-life, high-efficacy, discrete, surface-mount LEDs

Color Uniformity:

RAB's range of Correlated Color Temperature follows the guidelines of the American National Standard for Specifications for the Chromaticity of Solid State Lighting (SSL) Products, ANSI C78.377-2017.

Performance

Lifespan:

100,000-Hour LED lifespan based on IES LM-80 results and TM-21 calculations

Electrical

Dimming Driver:

Driver includes dimming control wiring for 0-10V dimming systems. Requires separate 0-10V DC dimming circuit. Dims down to 10%.

THD:

9.91% at 120V, 7.86% at 277V

Power Factor:

99.4% at 120V, 96.2% at 277V

Surge Protection:

6kV

Battery Backup:

Battery backup will operate the fixture for 90 minutes if power fails. Wired for 120-277V.

Battery Backup Light Loss Factor:

0.282

Construction

Cold Weather Starting:

The minimum starting temperature is 0°C (32°F)

Maximum Ambient Temperature:

Suitable for use in up to 60°C (140°F)

Lens:

Polycarbonate lens

Reflector:

Polyethylene Terephthalate (PET)

Housing:

Aluminum

Finish:

Formulated for high durability and long-lasting color

Green Technology:

Mercury and UV free. RoHS-compliant components.

Technical Specifications (continued)

Installation

Mounting:

Comes standard with V-hooks for chain mounting. Accessories available for pendant and surface mounting (purchased separately).

Other

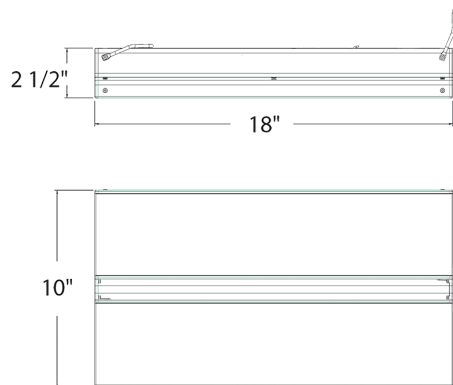
Warranty:

RAB warrants that our LED products will be free from defects in materials and workmanship for a period of five (5) years from the date of delivery to the end user, including coverage of light output, color stability, driver performance and fixture finish. RAB's warranty is subject to all terms and conditions found at rablighting.com/warranty.

Buy American Act Compliance:

RAB values USA manufacturing! Upon request, RAB may be able to manufacture this product to be compliant with the Buy American Act (BAA). Please contact customer service to request a quote for the product to be made BAA compliant.

Dimensions



Features

- 0-10V Dimming, standard
- 100,000-hour LED lifespan
- DLC Premium listed
- 5-Year, no-compromise warranty

Ordering Matrix

Family	Size (Wattage, Length)	Color Temp	Driver	Options
AR	XS			/E
	XS = 95/71/48W (1.5') S = 160/120/80W (2') M = 275/206/138W (3') L = 360/270/180W (4')	Blank = 4000/5000K CCT Adjustable	Blank = 120-277V, 0-10V Dimming /480 = 480V, 0-10V Dimming	Blank = No Option /E = Battery Backup /LCBS = Lightcloud Blue w/PIR Sensor /LCBS/MVS = Lightcloud Blue w/MVS Sensor /LCBS/E = Lightcloud Blue w/PIR Sensor w/Battery Backup /LCBS/MVS/E = Lightcloud Blue w/MVS Sensor w/Battery Backup