

<b>Project:</b>	<b>Type:</b>
<b>Prepared By:</b>	<b>Date:</b>

Driver Info		LED Info	
Type	Constant Current	Watts	95W
120V	N/A	Color Temp	4000/5000K
208V	N/A	Color Accuracy	83-85 CRI
240V	N/A	L70 Lifespan	100,000 Hours
277V	N/A	Lumens	6,973-13,706 lm
Input Watts	43.8-90.7W	Efficacy	149.7-159.2 lm/W

**Technical Specifications**

**Field Adjustability**

**Field Adjustable:**

Field Adjustable Light Output:  
95W with 3 Power Preset:  
100% (95W), 75% (71W), and 50% (48W)  
Color Temperature Selectable:  
4000K and 5000K (factory default 4000K)

**Compliance**

**UL Listed:**

Suitable for damp locations

**IESNA LM-79 & LM-80 Testing:**

RAB LED luminaires and LED components have been tested by an independent laboratory in accordance with IESNA LM-79 and LM-80.

**Trade Agreements Act Compliant:**

This product is a product of Cambodia and a "designated country" end product that complies with the Trade Agreements Act

**DLC Listed:**

This product is listed by Design Lights Consortium (DLC) as an ultra-efficient premium product that qualifies for the highest tier of rebates from DLC Member Utilities. Designed to meet DLC 5.1 requirements.  
DLC Product Code: S-RX31PQ

**LED Characteristics**

**LEDs:**

Long-life, high-efficacy, discrete, surface-mount LEDs

**Color Uniformity:**

RAB's range of Correlated Color Temperature follows the guidelines of the American National Standard for Specifications for the Chromaticity of Solid State Lighting (SSL) Products, ANSI C78.377-2017.

**Performance**

**Lifespan:**

100,000-Hour LED lifespan based on IES LM-80 results and TM-21 calculations

**Electrical**

**Driver:**

100% Power: Constant Current, Class 2, 480V, 50/60 Hz, 480V: 0.20A  
75% Power: Constant Current, Class 2, 480V, 50/60 Hz, 480V: 0.16A  
50% Power: Constant Current, Class 2, 480V, 50/60 Hz, 480V: 0.12A

**Dimming Driver:**

Driver includes dimming control wiring for 0-10V dimming systems. Requires separate 0-10V DC dimming circuit. Dims down to 10%.

**THD:**

7.68% at 480V

**Power Factor:**

92.6% at 480V

**Surge Protection:**

6kV

**Construction**

**Cold Weather Starting:**

The minimum starting temperature is -20°C (-4°F)

**Maximum Ambient Temperature:**

Suitable for use in up to 50°C (122°F)

**Lens:**

Polycarbonate lens

**Reflector:**

Polyethylene Terephthalate (PET)

**Housing:**

Aluminum

**Finish:**

Formulated for high durability and long-lasting color

## Technical Specifications (continued)

### Green Technology:

Mercury and UV free. RoHS-compliant components.

### Installation

#### Mounting:

Comes standard with V-hooks for chain mounting.

Accessories available for pendant and surface mounting (purchased separately).

### Other

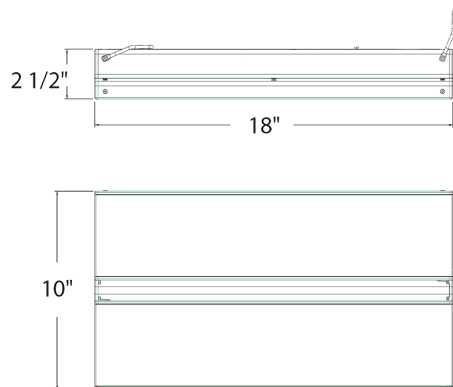
#### Warranty:

RAB warrants that our LED products will be free from defects in materials and workmanship for a period of five (5) years from the date of delivery to the end user, including coverage of light output, color stability, driver performance and fixture finish. RAB's warranty is subject to all terms and conditions found at [rablighting.com/warranty](http://rablighting.com/warranty).

#### Buy American Act Compliance:

RAB values USA manufacturing! Upon request, RAB may be able to manufacture this product to be compliant with the Buy American Act (BAA). Please contact customer service to request a quote for the product to be made BAA compliant.

## Dimensions



## Features

- 0-10V Dimming, standard
- 100,000-hour LED lifespan
- DLC Premium listed
- 5-Year, no-compromise warranty

## Ordering Matrix

Family	Size (Wattage, Length)	Color Temp	Driver	Options
AR	XS		/480	
	<b>XS</b> = 95/71/48W (1.5') <b>S</b> = 160/120/80W (2') <b>M</b> = 275/206/138W (3') <b>L</b> = 360/270/180W (4')	<b>Blank</b> = 4000/5000K CCT Adjustable	<b>Blank</b> = 120-277V, 0-10V Dimming <b>/480</b> = 480V, 0-10V Dimming	<b>Blank</b> = No Option <b>/E</b> = Battery Backup <b>/LCBS</b> = Lightcloud Blue w/PIR Sensor <b>/LCBS/MVS</b> = Lightcloud Blue w/MVS Sensor <b>/LCBS/E</b> = Lightcloud Blue w/PIR Sensor w/Battery Backup <b>/LCBS/MVS/E</b> = Lightcloud Blue w/MVS Sensor w/Battery Backup