

ARMSV24 INSTALLATION INSTRUCTIONS

Thank you for buying RAB lighting fixtures. Our goal is to design the best quality products to get the job done right. We'd like to hear your comments. Call the Marketing Department at 888-RAB-1000, or email: marketing@rabweb.com

IMPORTANT

READ CAREFULLY BEFORE INSTALLING FIXTURE. RETAIN THESE INSTRUCTIONS FOR FUTURE REFERENCE.

RAB fixtures must be wired in accordance with the National Electrical Code and all applicable local codes. Proper grounding is required for safety. THIS PRODUCT MUST BE INSTALLED IN ACCORDANCE WITH THE APPLICABLE INSTALLATION CODE BY A PERSON FAMILIAR WITH THE CONSTRUCTION AND OPERATION OF THE PRODUCT AND THE HAZARDS INVOLVED.

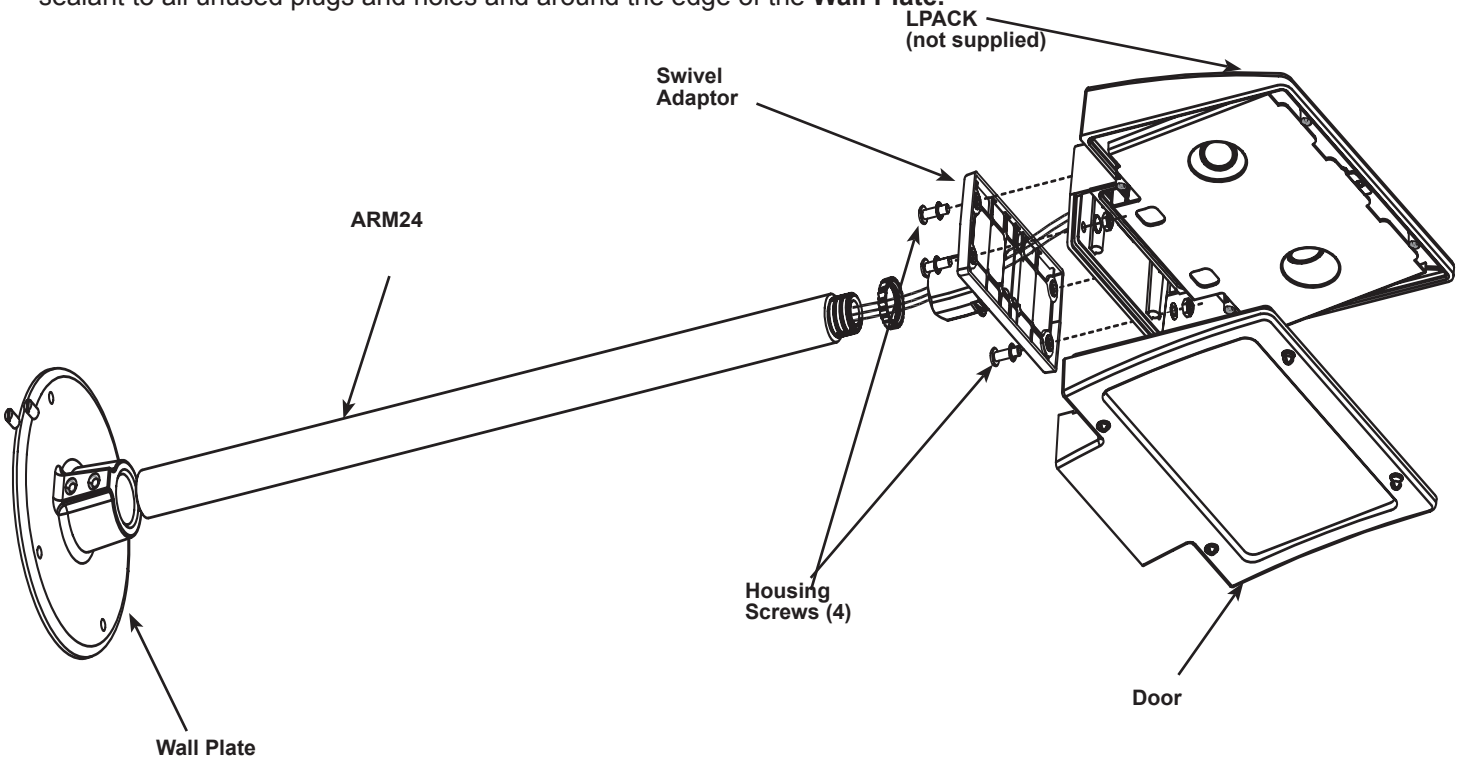
WARNING: Make certain power is OFF before installing or maintaining fixture. No user serviceable parts inside.

ARMSV24

24" Arm with swivel for WPLED10, WPLED13 and WPLED20 (Fixtures sold separately).

CAUTION: Follow mounting orientation restrictions on fixture instructions.

1. Remove **Door** from fixture. Remove junction box or mounting plate from fixture. Connect leads from ARMSV24 to fixture. Make the wiring connections inside of the fixture using UL approved connectors.
2. Mount the **Swivel Adaptor** to the fixture with four **Housing Screws**. Use the provided nuts and washers for two of the four **Housing Screws** as shown below.
3. Replace **Door**. Tighten all door screws and check seal of door gasket.
4. Make supply wiring connections in recessed junction box with UL approved connectors. Mount **Wall Plate** and fixture assembly to wall with hardware appropriate for your mounting surface.
5. Tighten set screws and all other screws and hardware. To ensure weatherproof seal, apply weatherproof silicone sealant to all unused plugs and holes and around the edge of the **Wall Plate**.



Note: These instructions do not cover all details or variations in equipment nor do they provide for every possible situation during installation, operation or maintenance.

Easy Installation & Product Help

