

<b>Project:</b>	<b>Type:</b>
<b>Prepared By:</b>	<b>Date:</b>

Driver Info		LED Info	
Type	Constant Current	Watts	275W
120V	2.25A	Color Temp	5000K (Cool)
208V	N/A	Color Accuracy	83 CRI
240V	N/A	L70 Lifespan	100,000 Hours
277V	N/A	Lumens	39,685 lm
Input Watts	277.6W	Efficacy	143

## Technical Specifications

### Compliance

#### UL Listed:

Suitable for damp locations

#### DLC Listed:

This product is listed by Design Lights Consortium (DLC) as an ultra-efficient premium product that qualifies for the highest tier of rebates from DLC Member Utilities. Designed to meet DLC 5.1 requirements.

DLC Product Code: P6Q8WDOE

### Performance

#### Lifespan:

100,000-Hour LED lifespan based on IES LM-80 results and TM-21 calculations

### LED Characteristics

#### LEDs:

Multi-chip, high-output, long-life LEDs

#### Color Uniformity:

RAB's range of Correlated Color Temperature follows the guidelines of the American National Standard for Specifications for the Chromaticity of Solid State Lighting (SSL) Products, ANSI C78.377-2017.

### Construction

#### Operating Temperature:

-20°C (-4°F) to 50°C (122°F)

#### Housing:

22 gauge die formed with white powder coat finish. Y Hooks included for easy chain or cable mounting.

#### Reflector:

White painted, reflective, die formed painted steel

#### Lens:

Polycarbonate lens

#### Mounting:

V hooks and optional pendant mounting. AEROBAY® comes with two 42" chains.

#### Cord & Plug:

8 ft cord and NEMA L7-15P twistlock plug for 277V only.

#### Finish:

Our environmentally friendly polyester powder coatings are formulated for high-durability and long-lasting color

#### Green Technology:

Mercury and UV free. RoHS-compliant components.

### Electrical

#### Driver:

Class 2, Constant Current, 120-277V, 50/60 Hz, 120V: 2.25A, 208V: 1.30A, 240V: 1.12A, 277V: 1.0A

#### THD:

3.73% at 120V, 7.29% at 277V

#### Power Factor:

99.9% at 120V, 95.1% at 277V

#### Battery Backup:

Battery backup will operate the fixture for 90 minutes if power fails. Wired for 120-277V.

#### Battery Backup Light Loss Factor:

0.093

#### Surge Protection:

2.5kV

For areas prone to surges, upgrade to 10kV surge protection available

### Other

#### Replacement:

Replaces 8-lamp T5HO or 575W MH

#### 5 Yr Limited Warranty:

The RAB 5-year, limited warranty covers light output, driver performance and paint finish. RAB's warranty is subject to all terms and conditions found at [rablighting.com/warranty](http://rablighting.com/warranty).

## Technical Specifications (continued)

### Buy American Act Compliance:

RAB values USA manufacturing! Upon request, RAB may be able to manufacture this product to be compliant with the Buy American Act (BAA). Please contact customer service to request a quote for the product to be made BAA compliant.

### Sensor Specifications

#### Passive Infrared Occupancy and Daylight Sensor:

PIR sensor with IR remote capability. High/Low bay passive infrared occupancy and daylight sensor.

### UL Listed:

Indoor use only

### Operating Temperature:

32°F to 158°F (0°C to 70°C)

### Operating Humidity:

5% to 96%, noncondensing

### Line Voltage:

LineVage for direct connection to load

### Voltage:

120, 277, 347V, 60Hz or 230V, single phase, 50Hz operation

### Power Consumption:

0.2W

### Maximum Versatility:

Adjustable time delay and sensitivity  
Adjustable hold-off daylighting level

### Weight:

6.4 oz (181 g)

### Hardware:

UL listed snap-in mounting hardware

### Mounting:

Easy mounting using knockout at end of linear high bay luminaire

### Lens:

Lens (attached) designed for mounting heights from 15 to 40 feet

### Rotatable Mask:

Snap-on rotatable mask for aisleway applications (included)

### Coverage:

Covers a 100-foot diameter area when mounted at height of 40 feet

### Factory Default:

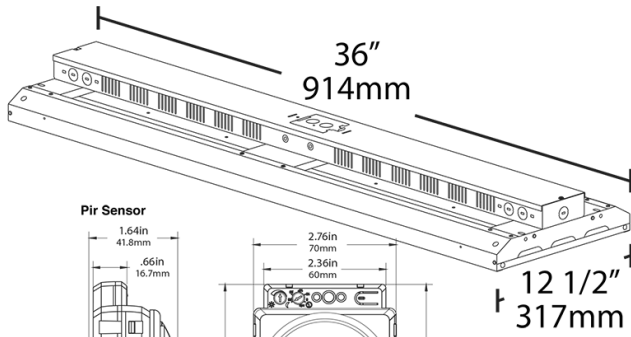
15 minutes time delay  
Max sensitivity  
300 footcandle light level

### Handheld Wireless Configuration Tool:

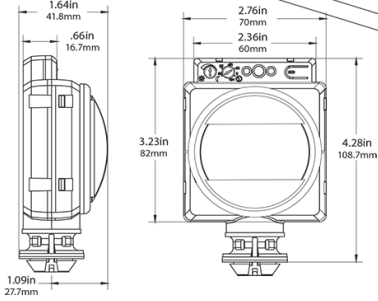
Adjust settings using handheld wireless configuration tool (catalog# WSREM). Only available with 0-10V dimming driver options. [Handheld wireless configuration tool available here.](#)

## Dimensions

3 1/2"  
88mm



### Pir Sensor

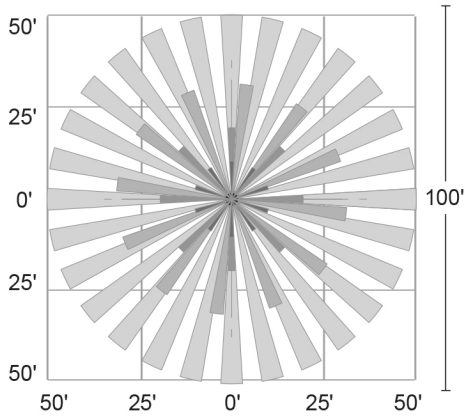


## Features

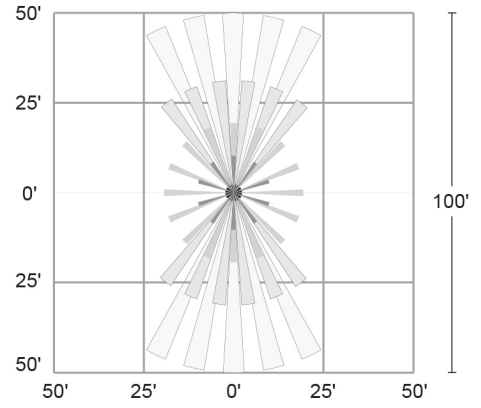
- High efficiency. Low price.
- Ideal for industrial warehouse spaces
- 100,000 hour LED lifespan
- 5-Year, limited warranty

## Coverage Pattern

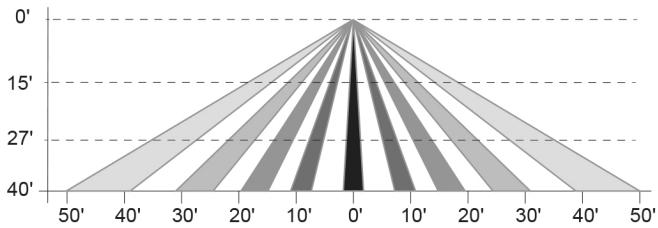
**Coverage Pattern**



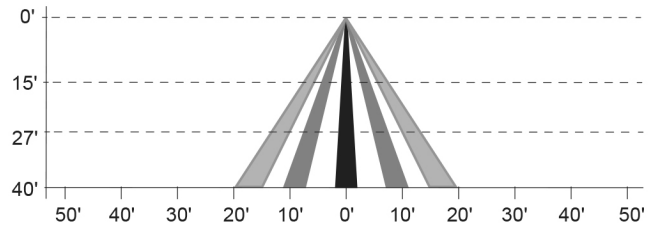
Top coverage pattern



Top coverage pattern with mask



Side coverage pattern



Side coverage pattern with mask

Ordering Matrix

Family	Length		Wattage	Color Temp	Voltage	Control Options	Emergency Options	Other Options
ARBAY	3	-	275			/PIR	/E2	/8CPT2
	3 = 3 ft		215 = 215W 275 = 275W	Blank = 5000K Cool N = 4000K Neutral	Blank = 120-277V, 0-10V Dimming /480 = 480V, 0-10V Dimming	Blank = No Options /PIR = 120-277V, Passive Infrared Occupancy Sensor /LC = Lightcloud® Control /LCS = 120-277V, Lightcloud® Motion Sensor	Blank = No Options /E2 = 120-277V, Battery <sup>1</sup>	Blank = No Options /SP10 = 10kV Surge Protection /8C = 8' Cord only <sup>2</sup> /8CP = 8' Cord, Straight Blade Plug 120V, NEMA 5-15P <sup>3</sup> /8CP2 = 8' Cord, Straight Blade Plug 277V, NEMA 7-15P <sup>3</sup> /8CPT = 8' Cord, Twistlock Plug 120V, NEMA L5-15P <sup>3</sup> /8CPT2 = 8' Cord, Twistlock Plug 277V, NEMA L7-15P <sup>3</sup> /8CPT4 = 8' Cord, Twistlock Plug 480V, NEMA L8-20P <sup>3</sup>

<sup>1</sup> For battery backup models with cord and plug dimming is not possible  
<sup>2</sup> For cord only (8C) models, a 5 conductor cable will be used to make dimming possible  
<sup>3</sup> For cord and plug (8CP, 8CP2, 8CPT, 8CPT2, 8CPT4) models 0-10V dimming is not possible