

|                     |              |
|---------------------|--------------|
| <b>Project:</b>     | <b>Type:</b> |
| <b>Prepared By:</b> | <b>Date:</b> |

| Driver Info |                  | LED Info       |               |
|-------------|------------------|----------------|---------------|
| Type        | Constant Current | Watts          | 275W          |
| 120V        | 2.25A            | Color Temp     | 5000K (Cool)  |
| 208V        | N/A              | Color Accuracy | 83 CRI        |
| 240V        | N/A              | L70 Lifespan   | 100,000 Hours |
| 277V        | N/A              | Lumens         | 39,685 lm     |
| Input Watts | 277.6W           | Efficacy       | 143           |

## Technical Specifications

### Compliance

#### UL Listed:

Suitable for damp locations

#### DLC Listed:

This product is listed by Design Lights Consortium (DLC) as an ultra-efficient premium product that qualifies for the highest tier of rebates from DLC Member Utilities. Designed to meet DLC 5.1 requirements.

DLC Product Code: P6Q8WDOE

### Performance

#### Lifespan:

100,000-Hour LED lifespan based on IES LM-80 results and TM-21 calculations

### LED Characteristics

#### LEDs:

Multi-chip, high-output, long-life LEDs

#### Color Uniformity:

RAB's range of Correlated Color Temperature follows the guidelines of the American National Standard for Specifications for the Chromaticity of Solid State Lighting (SSL) Products, ANSI C78.377-2017.

### Construction

#### Operating Temperature:

-20°C (-4°F) to 50°C (122°F)

#### Housing:

22 gauge die formed with white powder coat finish. Y Hooks included for easy chain or cable mounting.

#### Reflector:

White painted, reflective, die formed painted steel

#### Lens:

Polycarbonate lens

#### Mounting:

V hooks and optional pendant mounting. AEROBAY® comes with two 42" chains.

#### Cord & Plug:

8 ft cord and NEMA L5-15P twistlock plug for 120V only.

#### Finish:

Our environmentally friendly polyester powder coatings are formulated for high-durability and long-lasting color

#### Green Technology:

Mercury and UV free. RoHS-compliant components.

### Electrical

#### Driver:

Class 2, Constant Current, 120-277V, 50/60 Hz, 120V: 2.25A, 208V: 1.30A, 240V: 1.12A, 277V: 1.0A

#### THD:

3.73% at 120V, 7.29% at 277V

#### Power Factor:

99.9% at 120V, 95.1% at 277V

#### Surge Protection:

2.5kV

For areas prone to surges, upgrade to 10kV surge protection available

#### Other

#### Replacement:

Replaces 8-lamp T5HO or 575W MH

#### 5 Yr Limited Warranty:

The RAB 5-year, limited warranty covers light output, driver performance and paint finish. RAB's warranty is subject to all terms and conditions found at [rablighting.com/warranty](http://rablighting.com/warranty).

#### Buy American Act Compliance:

RAB values USA manufacturing! Upon request, RAB may be able to manufacture this product to be compliant with the Buy American Act (BAA). Please contact customer service to request a quote for the product to be made BAA compliant.

## Technical Specifications (continued)

### Sensor Specifications

#### Passive Infrared Occupancy and Daylight Sensor:

PIR sensor with IR remote capability. High/Low bay passive infrared occupancy and daylight sensor.

#### UL Listed:

Indoor use only

#### Operating Temperature:

32°F to 158°F (0°C to 70°C)

#### Operating Humidity:

5% to 96%, noncondensing

#### Line Voltage:

LineVage for direct connection to load

#### Voltage:

120, 277, 347V, 60Hz or 230V, single phase, 50Hz operation

#### Power Consumption:

0.2W

#### Maximum Versatility:

Adjustable time delay and sensitivity  
Adjustable hold-off daylighting level

#### Weight:

6.4 oz (181 g)

#### Hardware:

UL listed snap-in mounting hardware

#### Mounting:

Easy mounting using knockout at end of linear high bay luminaire

#### Lens:

Lens (attached) designed for mounting heights from 15 to 40 feet

#### Rotatable Mask:

Snap-on rotatable mask for aisleway applications (included)

#### Coverage:

Covers a 100-foot diameter area when mounted at height of 40 feet

#### Factory Default:

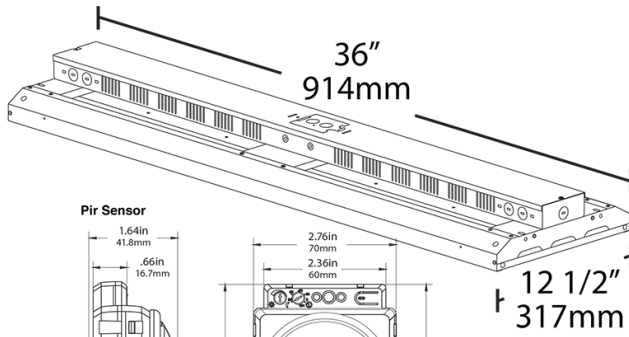
15 minutes time delay  
Max sensitivity  
300 footcandle light level

#### Handheld Wireless Configuration Tool:

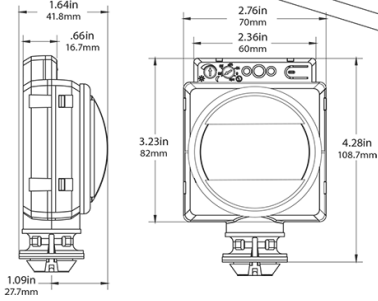
Adjust settings using handheld wireless configuration tool (catalog# WSREM). Only available with 0-10V dimming driver options. [Handheld wireless configuration tool available here.](#)

## Dimensions

3 1/2"  
88mm



### Pir Sensor



## Features

- High efficiency. Low price.
- Ideal for industrial warehouse spaces
- 100,000 hour LED lifespan
- 5-Year, limited warranty

## Coverage Pattern

Coverage Pattern



Top coverage pattern



Top coverage pattern with mask



Side coverage pattern



Side coverage pattern with mask

## Ordering Matrix

| Family | Length   |   | Wattage                  | Color Temp                                    | Voltage   | Control Options   | Emergency Options   | Other Options  |
|--------|----------|---|--------------------------|---|---|---|---|--|
| ARBAY  | 3        | - | 275                      |   |   | /PIR  |   | /8CPT  |
|        | 3 = 3 ft |   | 215 = 215W<br>275 = 275W | Blank = 5000K<br>Cool<br>N = 4000K<br>Neutral | Blank = 120-277V,<br>0-10V Dimming<br>/480 = 480V, 0-10V<br>Dimming | Blank = No Options<br>/PIR = 120-277V, Passive<br>Infrared Occupancy Sensor<br>/LC = Lightcloud® Control<br>/LCS = 120-277V, Lightcloud®<br>Motion Sensor | Blank = No Options<br>/E2 = 120-277V,<br>Battery <sup>1</sup> | Blank = No Options<br>/SP10 = 10kV Surge<br>Protection<br>/8C = 8' Cord only <sup>2</sup><br>/8CP = 8' Cord, Straight Blade<br>Plug 120V, NEMA 5-15P <sup>3</sup><br>/8CP2 = 8' Cord, Straight<br>Blade Plug 277V, NEMA 7-15P<br><sup>3</sup><br>/8CPT = 8' Cord, Twistlock<br>Plug 120V, NEMA L5-15P <sup>3</sup><br>/8CPT2 = 8' Cord, Twistlock<br>Plug 277V, NEMA L7-15P <sup>3</sup><br>/8CPT4 = 8' Cord, Twistlock<br>Plug 480V, NEMA L8-20P <sup>3</sup> |

<sup>1</sup> For battery backup models with cord and plug dimming is not possible

<sup>2</sup> For cord only (8C) models, a 5 conductor cable will be used to make dimming possible

<sup>3</sup> For cord and plug (8CP, 8CP2, 8CPT, 8CPT2, 8CPT4) models 0-10V dimming is not possible