



**Technical Specifications (continued)****Operating Temperature:**

32°F to 158°F (0°C to 70°C)

**Operating Humidity:**

5% to 96%, noncondensing

**Line Voltage:**

LineVage for direct connection to load

**Voltage:**

120, 277, 347V, 60Hz or 230V, single phase, 50Hz operation

**Power Consumption:**

0.2W

**Maximum Versatility:**

Adjustable time delay and sensitivity  
Adjustable hold-off daylighting level

**Weight:**

6.4 oz (181 g)

**Hardware:**

UL listed snap-in mounting hardware

**Mounting:**

Easy mounting using knockout at end of linear high bay luminaire

**Lens:**

Lens (attached) designed for mounting heights from 15 to 40 feet

**Rotatable Mask:**

Snap-on rotatable mask for aisleway applications (included)

**Coverage:**

Covers a 100-foot diameter area when mounted at height of 40 feet

**Factory Default:**

15 minutes time delay  
Max sensitivity  
300 footcandle light level

**Handheld Wireless Configuration Tool:**

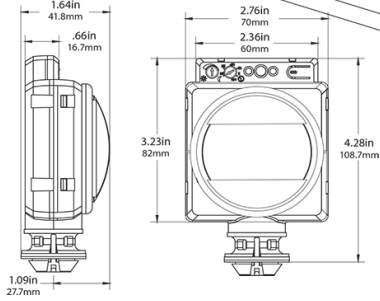
Adjust settings using handheld wireless configuration tool (catalog# WSREM). Only available with 0-10V dimming driver options. [Handheld wireless configuration tool available here.](#)

## Dimensions

3 1/2"  
88mm



### Pir Sensor



## Features

- High efficiency. Low price.
- Ideal for industrial warehouse spaces
- 100,000 hour LED lifespan
- 5-Year, limited warranty

## Coverage Pattern

Coverage Pattern



Top coverage pattern



Top coverage pattern with mask



Side coverage pattern



Side coverage pattern with mask

Ordering Matrix

| Family | Length   |   | Wattage                  | Color Temp                                    | Voltage   | Control Options   | Emergency Options   | Other Options   |
|--------|----------|---|--------------------------|---|---|---|---|---|
| ARBAY  | 3        | - | 275                      | N   |   | /PIR  |   | /SP10   |
|        | 3 = 3 ft |   | 215 = 215W<br>275 = 275W | Blank = 5000K<br>Cool<br>N = 4000K<br>Neutral | Blank = 120-277V,<br>0-10V Dimming<br>/480 = 480V, 0-10V<br>Dimming | Blank = No Options<br>/PIR = 120-277V, Passive<br>Infrared Occupancy Sensor<br>/LC = Lightcloud® Control<br>/LCS = 120-277V, Lightcloud®<br>Motion Sensor | Blank = No Options<br>/E2 = 120-277V,<br>Battery <sup>1</sup> | Blank = No Options<br>/SP10 = 10kV Surge<br>Protection<br>/8C = 8' Cord only <sup>2</sup><br>/8CP = 8' Cord, Straight<br>Blade Plug 120V, NEMA<br>5-15P <sup>3</sup><br>/8CP2 = 8' Cord, Straight<br>Blade Plug 277V, NEMA<br>7-15P <sup>3</sup><br>/8CPT = 8' Cord, Twistlock<br>Plug 120V, NEMA L5-15P <sup>3</sup><br>/8CPT2 = 8' Cord, Twistlock<br>Plug 277V, NEMA L7-15P <sup>3</sup><br>/8CPT4 = 8' Cord, Twistlock<br>Plug 480V, NEMA L8-20P <sup>3</sup> |

<sup>1</sup> For battery backup models with cord and plug dimming is not possible

<sup>2</sup> For cord only (8C) models, a 5 conductor cable will be used to make dimming possible

<sup>3</sup> For cord and plug (8CP, 8CP2, 8CPT, 8CPT2, 8CPT4) models 0-10V dimming is not possible