



## Technical Specifications (continued)

### Surge Protection:

2.5kV

For areas prone to surges, upgrade to 10kV surge protection available

### Other

#### Replacement:

Replaces 8-lamp T5HO or 575W MH

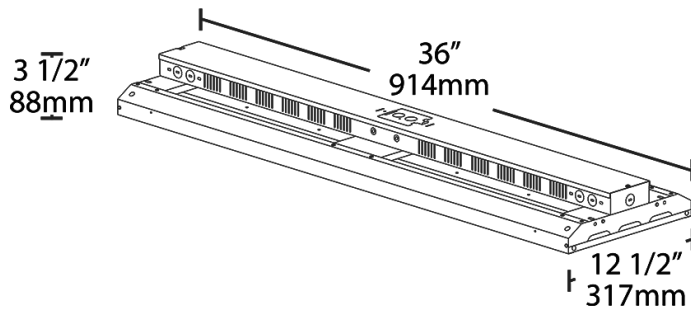
#### 5 Yr Limited Warranty:

The RAB 5-year, limited warranty covers light output, driver performance and paint finish. RAB's warranty is subject to all terms and conditions found at [rablighting.com/warranty](http://rablighting.com/warranty).

#### Buy American Act Compliance:

RAB values USA manufacturing! Upon request, RAB may be able to manufacture this product to be compliant with the Buy American Act (BAA). Please contact customer service to request a quote for the product to be made BAA compliant.

## Dimensions



## Features

- High efficiency. Low price.
- Ideal for industrial warehouse spaces
- 100,000 hour LED lifespan
- 5-Year, limited warranty

Ordering Matrix

| Family | Length   |   | Wattage                  | Color Temp                              | Voltage   | Control Options   | Emergency Options  | Other Options   |
|--------|----------|---|--------------------------|---|---|---|--|---|
| ARBAY  | 3        | - | 275                      | N                                       |   | /LC   |  | /8CPT   |
|        | 3 = 3 ft |   | 215 = 215W<br>275 = 275W | Blank = 5000K Cool<br>N = 4000K Neutral | Blank = 120-277V, 0-10V Dimming<br>/480 = 480V, 0-10V Dimming | Blank = No Options<br>/PIR = 120-277V, Passive Infrared Occupancy Sensor<br>/LC = Lightcloud® Control<br>/LCS = 120-277V, Lightcloud® Motion Sensor | Blank = No Options<br>/E2 = 120-277V, Battery <sup>1</sup> | Blank = No Options<br>/SP10 = 10kV Surge Protection<br>/8C = 8' Cord only <sup>2</sup><br>/8CP = 8' Cord, Straight Blade Plug 120V, NEMA 5-15P <sup>3</sup><br>/8CP2 = 8' Cord, Straight Blade Plug 277V, NEMA 7-15P <sup>3</sup><br>/8CPT = 8' Cord, Twistlock Plug 120V, NEMA L5-15P <sup>3</sup><br>/8CPT2 = 8' Cord, Twistlock Plug 277V, NEMA L7-15P <sup>3</sup><br>/8CPT4 = 8' Cord, Twistlock Plug 480V, NEMA L8-20P <sup>3</sup> |

<sup>1</sup> For battery backup models with cord and plug dimming is not possible  
<sup>2</sup> For cord only (8C) models, a 5 conductor cable will be used to make dimming possible  
<sup>3</sup> For cord and plug (8CP, 8CP2, 8CPT, 8CPT2, 8CPT4) models 0-10V dimming is not possible